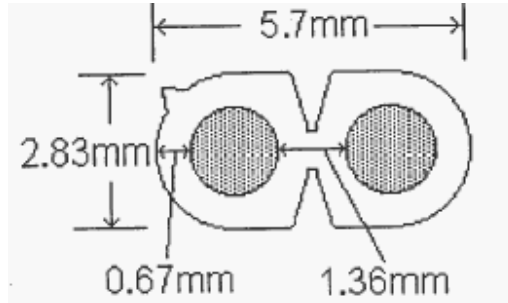


TSS-093-2F Series



APPLICATION
Fanuc use cable - K4

Construction Details

Conductor	The conductor consists of 50 strands of No. 33 AWG Annealed Copper Wires, and it is in accordance with JIS C 3102
Insulation	PVC covered with the thickness provided in Table 1
Identification	Identified by insulation's color
Assembly	Number of conductors provided in Table 1 twisted together. In case of need, tape and/or fillers may be applied. Fillers: None, Tape: None
Shield	None
Jacket	None
Marking	Letter, ink color: white.

Table 1

Core Number		2 cores
Conductor	Cross-section Area (mm ²)	1.25
	Construction	50 X 0.18AC
	Diameter approx. (mm)	1.5
Insulation	Thickness (mm)	
	Diameter approx. (mm)	2.83mm X 5.7mm
Assembly		
Filler		
Taping		
Braid		
Jacket		