



ROTARY COMPRESSORS

Applications:

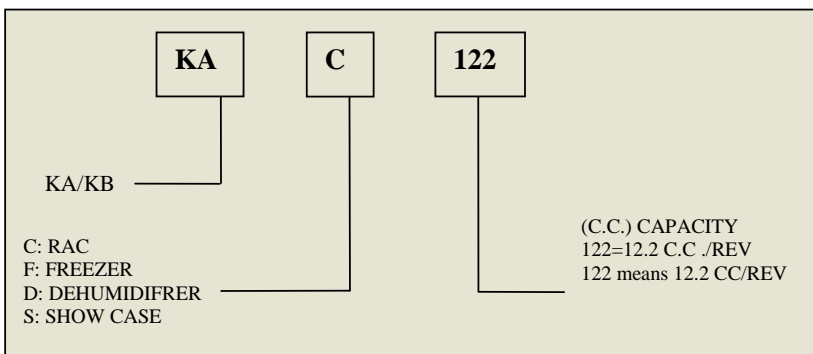
- ▣ *Air Condition*
- ▣ *Air Pump*
- ▣ *Home and Industrial Refrigeration*
- ▣ *High Pressure Car Washer*



GENERAL FEATURES AND BENEFITS:

- ▣ **High Efficiency:** Telco's high efficiency motors and highly precise advances manufacturing technology ensure high-quality and high efficiency.
- ▣ **Low Noise:** Quiet operation, low vibration due to a special design.
- ▣ **High Reliability:** Advanced equipment and systematic quality management are assurance of top quality.
- ▣ **Compact and light-weight:** Compact, light and space saving design.

MODEL NUMBER EXPLANATION



Refrigerant R410 Specifications

- ▣ Environmental friendly
- ▣ Runs at higher pressures and temperatures
- ▣ Low Pressure 50psi
- ▣ High Pressure 610psi

The R410A refrigerant is a 50:50 mixture of R32 and R125. It has a higher direct Global Warming Potential (GWP) than R22 or R407c, but a much lower indirect GWP (CO₂ production at power station).

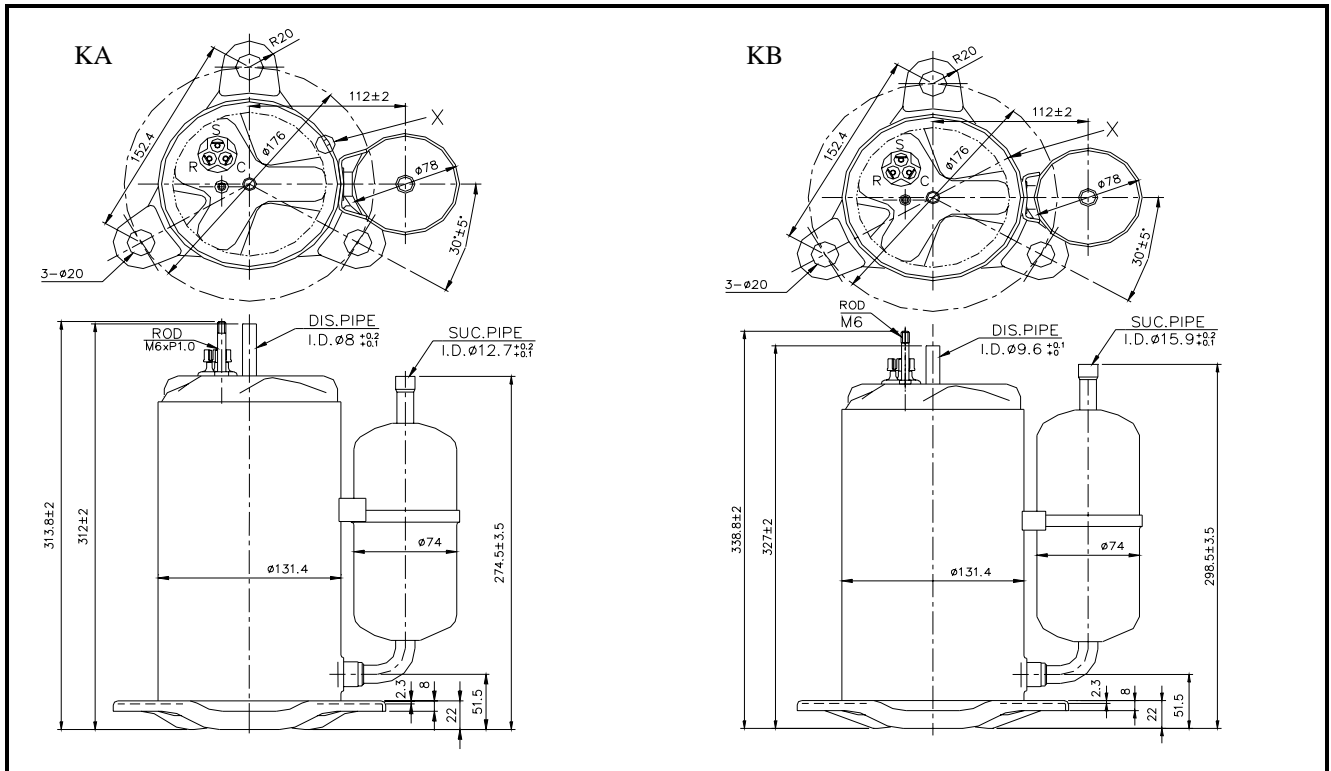


ROTARY COMPRESSORS

KA/KB (R410A Series) Specifications

Model	Nominal Output		Capacity		Power Source	Weight (kg)
	KW	HP	50HZ BTU/hr	60HZ BTU/hr		
KA-C054	0.55	0.75	4560	5555	100V,110V,115V,200V,208V,220V,230V	22.05
KA-C072	0.75	1	6150	7340	100V,110V,115V,200V,208V,220V,230V	22.05
KA-C086	0.9	1.2	7340	8730	100V,110V,115V,200V,208V,220V,230V	24.25
KA-C095	1	1.3	8140	9720	100V,110V,115V,200V,208V,220V,230V	24.25
KA-C104	1.05	1.4	8730	10515	100V,110V,115V,200V,208V,220V,230V	24.47
KA-C107	1.1	1.5	9130	10910	100V,110V,115V,200V,208V,220V,230V	24.69
KA-C111	1.15	1.55	9530	11310	100V,110V,115V,200V,208V,220V,230V	24.69
KA-C115	1.2	1.6	9920	11900	100V,110V,115V,200V,208V,220V,230V	24.91
KA-C118	1.25	1.65	10310	12100	100V,110V,115V,200V,208V,220V,230V	24.91
KB-C125	1.1	1.5	10580	12700	100V,110V,115V,200V,208V,220V,230V	33.73
KB-C130	1.15	1.55	11030	13230	100V,110V,115V,200V,208V,220V,230V	33.73
KB-C138	1.45	1.9	11700	14050	100V,110V,115V,200V,208V,220V,230V	33.73
KB-C145	1.5	2	12300	14760	100V,110V,115V,200V,208V,220V,230V	34.39
KB-C150	1.35	1.8	12730	15275	100V,110V,115V,200V,208V,220V,230V	35.27
KB-C175	1.55	2.1	14850	17815	100V,110V,115V,200V,208V,220V,230V	37.48
KB-C195	1.75	2.3	16530	19840	100V,110V,115V,200V,208V,220V,230V	37.92
KB-C215	1.9	2.55	188250	21900	100V,110V,115V,200V,208V,220V,230V	38.58
KB-C230	2.05	2.75	19510	23410	100V,110V,115V,200V,208V,220V,230V	38.58

Representative Outline Drawings



TELCO INTERCONTINENTAL CORPORATION