

## K Series

# 25 W



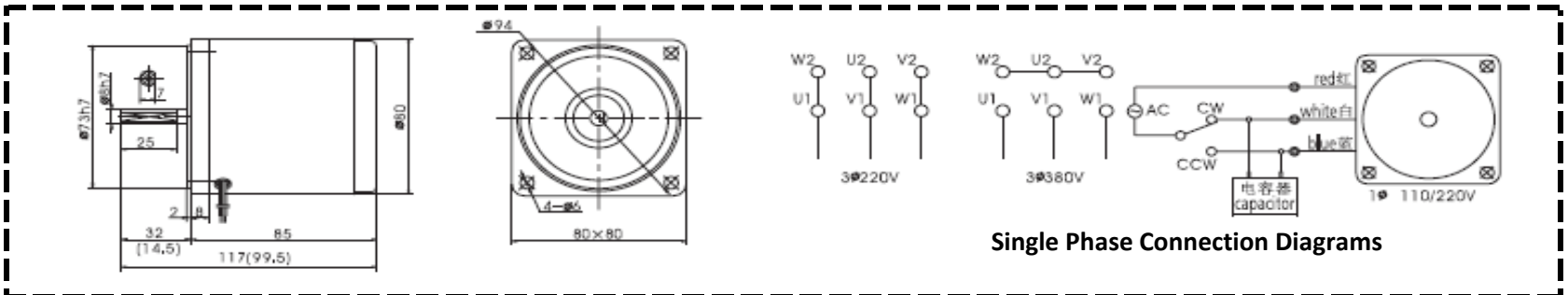
### Motor Specification

Motor	Model	Output W	Volt V	Freq Hz	Pole P	Duty	Rated				Start Torque		Capacitor µf/VAC
							Speed r/min	Current A	Torque N.m	kgf.cm	N.m	kgf.cm	
AI80-1525S4	GI4K25GN-A	25	1ph110	50	4	CONT	1350	0.45	0.18	1.80	0.18	1.80	7.0/250
AI80-3525S4	GI4K25GN-C	25	1ph220	50	4	CONT	1350	0.24	0.18	1.80	0.18	1.80	1.8/450
AI80-3525T4	GI4K25GN-S	25	3ph220	50	4	CONT	1300	0.25	0.19	1.88	0.19	1.88	
AI80-10525T4	GI4K25GN-S <sub>3</sub>	25	3ph380	50	4	CONT	1300	0.14	0.19	1.88	0.19	1.88	
AI80-3525S2		25	1ph220	50	2	CONT	2700	0.28	0.09	0.90	0.09	0.90	2.5/450

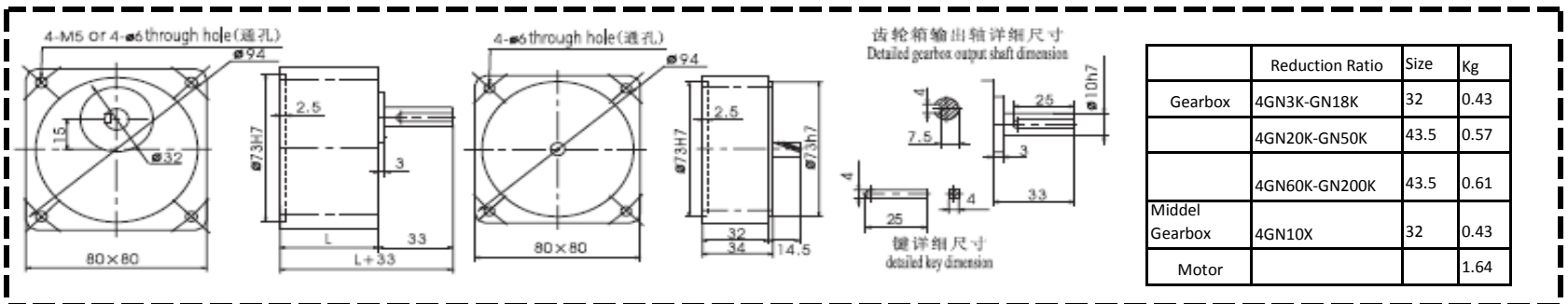
### Gearbox

Frequency	Ratio	Speed r/min	3	3.6	5	6	7.5	9	10	12.5	15	18	20	25	30	36	40	50	60	75	90	100	120	150	180	200
			50HZ	Speed	r/min	500	417	300	250	200	166	150	120	100	83	75	60	50	41	37	30	25	20	16	15	12
50HZ	Allowable Torque	N.m	0.52	0.63	0.87	1.05	1.31	1.57	1.74	2.91	2.62	3.15	3.15	3.94	4.72	5.66	6.29	7.12	7.84	7.84	7.84	7.84	7.84	7.84	7.84	7.84
		kgf.cm	5.3	6.4	8.9	10.7	13.4	16	17.8	22.3	26.7	32.1	32.1	40.2	48.2	57.8	64.2	72.6	80	80	80	80	80	80	80	80
60HZ	Speed	r/min	600	500	360	300	240	200	180	144	120	100	90	72	60	50	45	36	30	24	20	18	15	12	10	9
		N.m	0.43	0.51	0.72	0.85	1.07	1.28	1.43	1.78	2.15	2.57	2.58	3.22	0.86	4.64	5.16	5.82	6.99	7.84	7.84	7.84	7.84	7.84	7.8	7.8
60HZ	Allowable Torque	kgf.cm	4.4	5.2	7.3	8.7	10.9	13.1	14.6	18.2	21.9	26.2	26.3	32.9	39.4	47.3	52.6	59.4	71.3	80	80	80	80	80	80	80

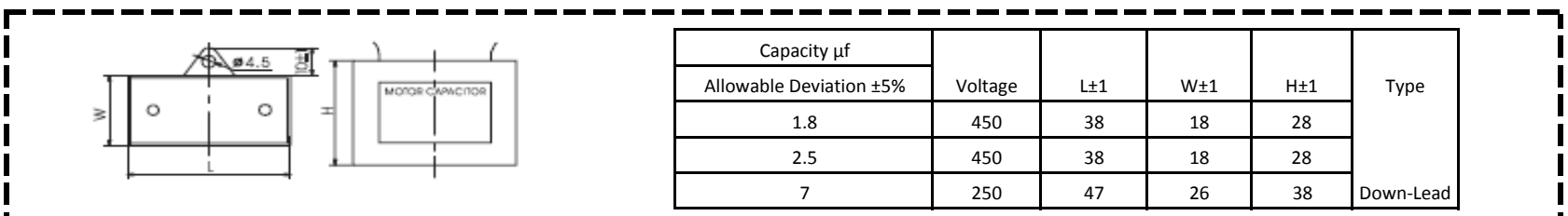
### Motor Dimension



### Gearhead Dimension



### Compacitor



## 6 W

**K Series**  
Single Phase  
110/220



### Motor Specification

Motor	Model	Output W	Volt V	Freq Hz	Pole P	Duty	Rated				Start Torque		Capacitor μf/VAC
							Speed r/min	Current A	Torque N.m	kgf.cm	N.m	kgf.cm	
Al60-156S4	GI2K6GN-A	6	1ph110	50	4	CONT	1250	0.20	0.05	0.45	0.06	1.80	3.0/250
Al60-356S4	GI2K6GN-C	6	1ph220	50	4	CONT	1250	0.10	0.05	0.45	0.07	1.80	0.8/450
Al60-356S2		6	1ph220	50	2	CONT	2700	0.11	0.02	0.21	0.04	1.88	0.8/450

### Gearbox

Frequency	Ratio	3	3.6	5	6	7.5	9	10	12.5	15	18	20	25	30	36	40	50	60	75	90	100	120	150	180	200	
50HZ	Speed	r/min	500	417	300	250	200	166	150	120	100	83	75	60	50	41	37	30	25	20	16	15	12	10	8	7.5
	Allowable Torque	N.m	0.13	0.15	0.21	0.21	0.32	0.38	0.42	0.53	0.63	0.76	0.76	0.95	1.14	1.36	1.52	1.72	2.06	2.57	2.94	2.94	2.94	2.94	2.94	2.94
60HZ	Speed	r/min	600	500	360	300	240	200	180	144	120	100	90	72	60	50	45	36	30	24	20	18	15	12	10	9
	Allowable Torque	N.m	0.10	0.13	0.13	0.17	0.26	0.30	0.34	0.43	0.51	0.62	0.62	0.76	0.92	1.11	1.24	1.39	1.67	2.09	2.50	2.78	2.94	2.94	2.94	2.94
		kgf.cm	1.0	1.3	1.7	2.1	2.6	3.1	3.5	4.4	5.2	6.3	6.3	7.8	9.4	11.3	12.6	14.2	17.0	21.3	25.5	28.4	30	30	30	30

### Motor Dimension

**Single Phase Connection Diagrams**

### Gearhead Dimension

**Detailed gearbox output shaft dimension**

	Reduction Ratio	Size	Kg
Gearbox	2GN3K-GN18K	32	0.24
	2GN20K-GN50K	42	0.3
	2GN60K-GN200K	42	0.33
Motor			0.7

### Compacitor

Capacity μf	Voltage	L±1	W±1	H±1	Type
Allowable Deviation ±5%					
0.8	450	37	14	28	Down-Lead
3	250	47	22	34	

## 6 W

**K Series**  
Single Phase  
110/220  
Speed Adjusted Motor



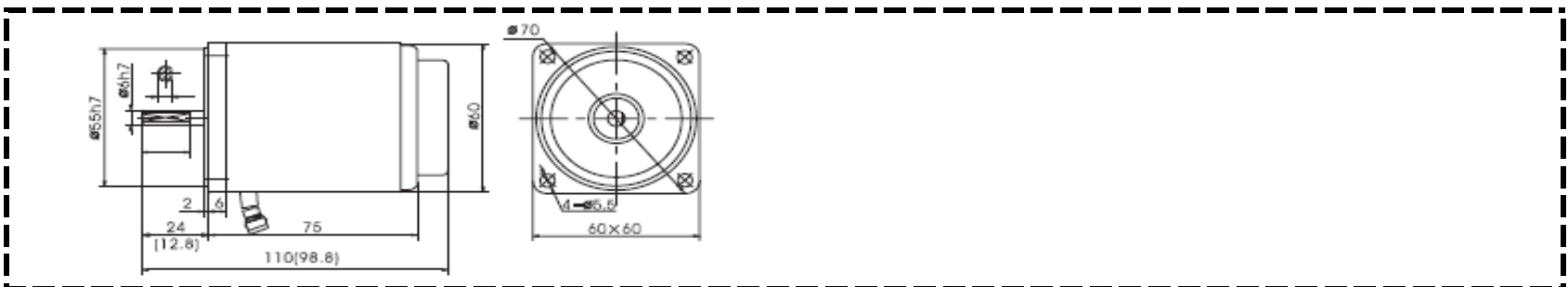
### Motor Specification

Model		Output	Volt	Freq Pole		Duty	RPM	Allowable Torque				Start Torque		Capacitor
Motor	Motor With Gear shaft			Hz	P			1200r/min		90r/min		N.m	kgf.cm	
AI60-156S4-R	GI2K6RGN-A	6	1ph110	50	4	CONT	90~1350	0.05	0.50	0.03	0.29	0.03	0.33	3.0/250
AI60-356S4-R	GI2K6RGN-C	6	1ph220	50	4	CONT	90~1350	0.05	0.50	0.03	0.29	0.03	0.33	0.8/450
AR60-156S4-R	GR2K6RGN-A	6	1ph110	50	4	30Min	90~1350	0.06	0.55	0.03	0.32	0.04	0.38	3.5/250
AR60-356S4-R	GR2K6RGN-C	6	1ph220	50	4	30Min	90~1350	0.06	0.55	0.03	0.32	0.00	0.38	1.0/450

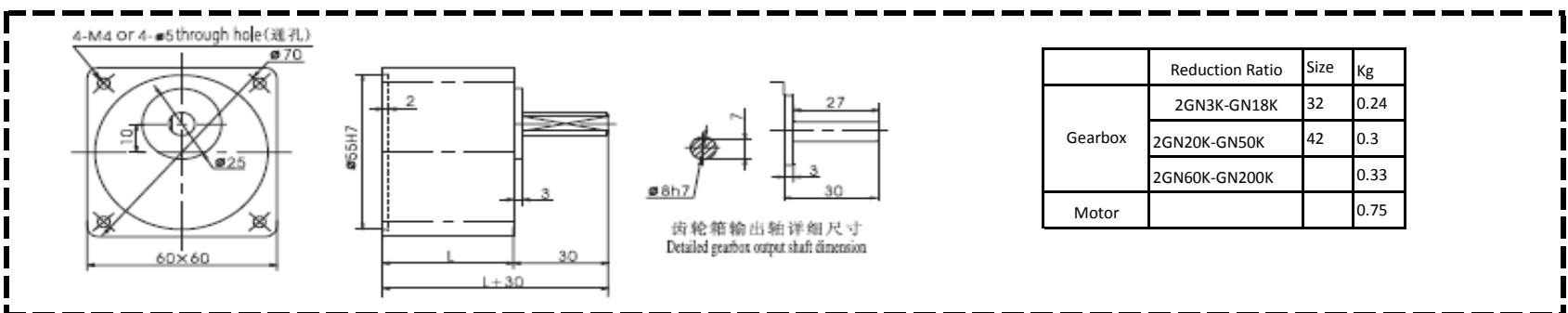
### Gearbox

Frequency	Ratio	3	3.6	5	6	7.5	9	10	12.5	15	18	20	25	30	36	40	50	60	75	90	100	120	150	180	200	
50HZ	Speed	r/min	500	417	300	250	200	166	150	120	100	83	75	60	50	41	37	30	25	20	16	15	12	10	8	7.5
	Allowable Torque	N.m	0.13	0.15	0.21	0.26	0.31	0.38	0.42	0.53	0.63	0.76	0.76	0.95	1.14	1.36	1.52	1.72	2.06	2.57	2.94	2.94	2.94	2.94	2.94	2.94
60HZ	Speed	r/min	600	500	360	300	240	200	180	144	120	100	90	72	60	50	45	36	30	24	20	18	15	12	10	9
	Allowable Torque	N.m	0.1	0.13	0.17	0.21	0.26	0.3	0.34	0.43	0.51	0.62	0.62	0.76	0.92	1.11	1.24	1.39	1.67	2.09	2.5	2.78	2.94	2.94	2.94	2.94

### Motor Dimension

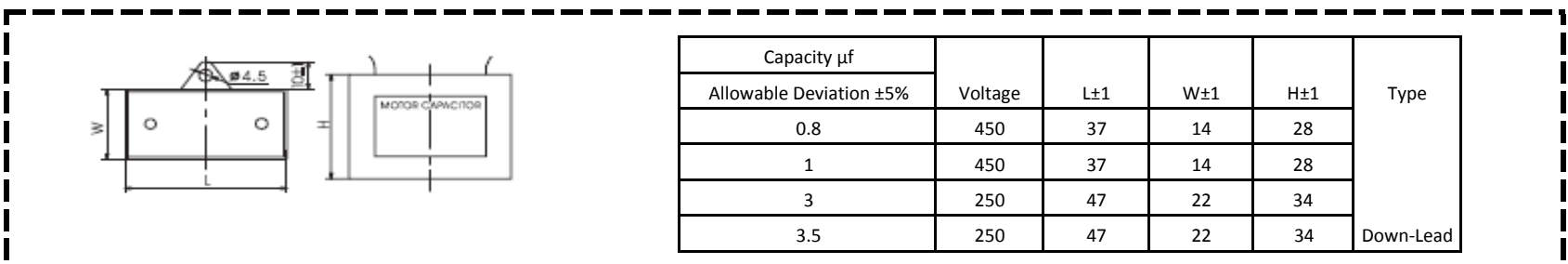


### Gearhead Dimension



	Reduction Ratio	Size	Kg
Gearbox	2GN3K-GN18K	32	0.24
	2GN20K-GN50K	42	0.3
	2GN60K-GN200K		0.33
Motor			0.75

### Compacitor



Capacity $\mu$ f	Voltage	L $\pm$ 1	W $\pm$ 1	H $\pm$ 1	Type
Allowable Deviation $\pm$ 5%					
0.8	450	37	14	28	Down-Lead
1	450	37	14	28	
3	250	47	22	34	
3.5	250	47	22	34	

## 15 W

**K Series**  
Single Phase  
110/220



### Motor Specification

Model		Output W	Volt V	Freq Hz	Pole P	Duty	Rated				Start Torque		Capacitor µf/VAC
Motor	Motor With Gear shaft						Speed r/min	Current A	Torque N.m	kgf.cm	N.m	kgf.cm	
AI70-1515-S4	GI3K15GN-A	15	1ph110	50	4	CONT	1300	0.30	0.11	1.10	0.09	0.09	5.0/250
AI703515-S4	GI3K15GN-C	15	1ph220	50	4	CONT	1300	0.14	0.11	1.10	0.10	0.95	1.2/450
AI703515-S2		15	1ph220	50	2	CONT	2750	0.17	0.06	0.55	0.55	0.75	1.5/450

### Gearbox

Frequency	Ratio		3	3.6	5	6	7.5	9	10	12.5	15	18	20	25	30	36	40	50	60	75	90	100	120	150	180	200
			Speed r/min	500	417	300	250	200	166	150	120	100	83	75	60	50	41	37	30	25	20	16	15	12	10	8
50HZ	Allowable Torque	N.m	0.31	0.38	0.53	0.64	0.79	0.95	1.06	1.32	1.59	1.9	1.9	2.37	2.85	3.42	3.81	4.28	4.9	4.9	4.9	4.9	4.9	4.9	4.9	4.9
		kgf.cm	3.2	3.9	5.4	6.5	8.1	9.7	10.8	13.5	16.2	19.4	19.4	24.2	29.1	31.9	38.8	43.6	50	50	50	50	50	50	50	50
60HZ	Allowable Torque	N.m	0.29	0.35	0.5	0.6	0.75	0.89	0.99	1.25	1.49	1.79	1.79	2.24	2.68	3.22	3.58	4.02	4.83	4.9	4.9	4.9	4.9	4.9	4.9	4.9
		kgf.cm	3	3.6	5.1	6.1	7.6	9.1	10.1	12.7	15.2	18.2	18.2	22.8	27.3	32.8	36.5	41	49.2	50	50	50	50	50	50	50

### Motor Dimension

**Single Phase Connection Diagrams**

### Gearhead Dimension

**Detailed gearbox output shaft dimension**  
**detailed key dimension**

	Reduction Ratio	Size	Kg
Gearbox	3GN3K-GN18K	32	0.38
	3GN20K-GN50K	42	0.47
	3GN60K-GN200K	42	0.52
Motor			1.04

### Compacitor

Capacity µf	Voltage	L±1	W±1	H±1	Type
1.2	450	37	14	28	Down-Lead
1.5	450	37	14	28	
1	250	47	22	34	

## 15 W

### K Series

#### Speed Adjusted Motor



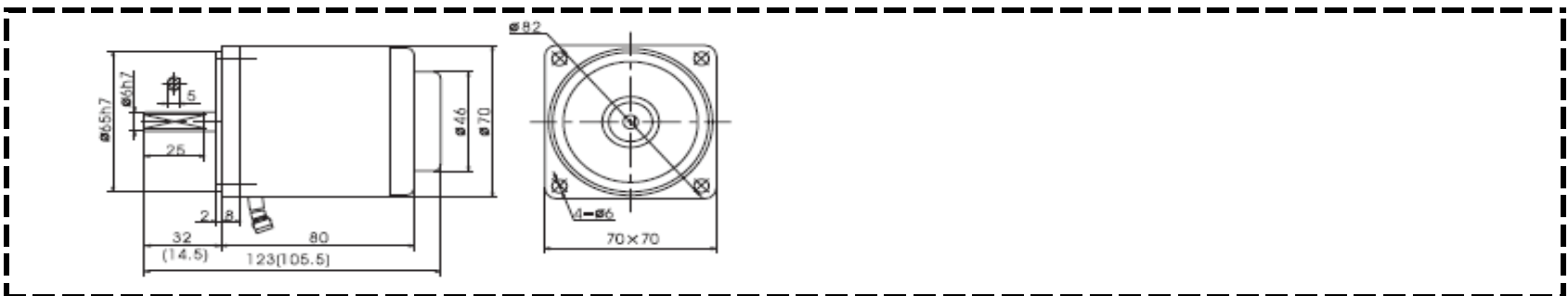
#### Motor Specification

Model		Output	Volt	Freq Pole		Duty	RPM	Allowable Torque				Start Torque		Capacitor
Motor	Motor With Gear shaft			Hz	P			1200r/min		90r/min		N.m	kgf.cm	
		W	V	Hz	P		rpm	N.m	kgf.cm	N.m	kgf.cm	N.m	kgf.cm	µf/VAC
AI70-1515S4-R	GI3K15RGN-A	15	1ph110	50	4	CONT	90~1350	0.12	1.20	0.04	0.35	0.06	0.55	5.0/250
AI70-3515S4-R	GI3K15RGN-C	15	1ph220	50	4	CONT	90~1350	0.12	1.20	0.04	0.35	0.06	0.55	1.2/450
AR70-1515S4-F	GR3K15RGN-A	15	1ph110	50	4	30Min	90~1350	0.13	1.30	0.04	0.40	0.07	0.65	6.0/250
AR70-3515S4-F	GR3K15RGN-C	15	1ph220	50	4	30Min	90~1350	0.13	1.30	0.04	0.40	0.07	0.65	1.5/450

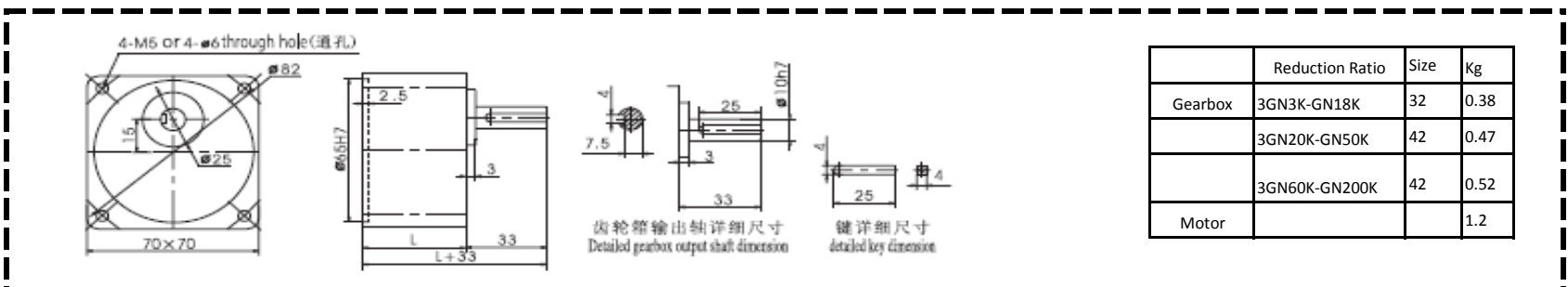
#### Gearbox

Frequency	Ratio	3	3.6	5	6	7.5	9	10	12.5	15	18	20	25	30	36	40	50	60	75	90	100	120	150	180	200	
50HZ	Speed	r/min	500	417	300	250	200	166	150	120	100	83	75	60	50	41	37	30	25	20	16	15	12	10	8	7.5
	Allowable Torque	N.m	0.31	0.38	0.53	0.64	0.79	0.95	1.06	1.32	1.59	1.90	1.90	2.37	2.85	3.42	3.81	4.28	4.90	4.90	4.90	4.90	4.90	4.90	4.90	4.90
60HZ	Speed	r/min	600	500	360	300	240	200	180	144	120	100	90	72	60	50	45	36	30	24	20	18	15	12	10	9
	Allowable Torque	N.m	0.29	0.35	0.50	0.60	0.75	0.89	0.99	1.25	1.49	1.79	1.79	2.24	2.68	3.22	3.58	4.02	4.90	4.90	4.90	4.90	4.90	4.90	4.90	4.90

#### Motor Dimension

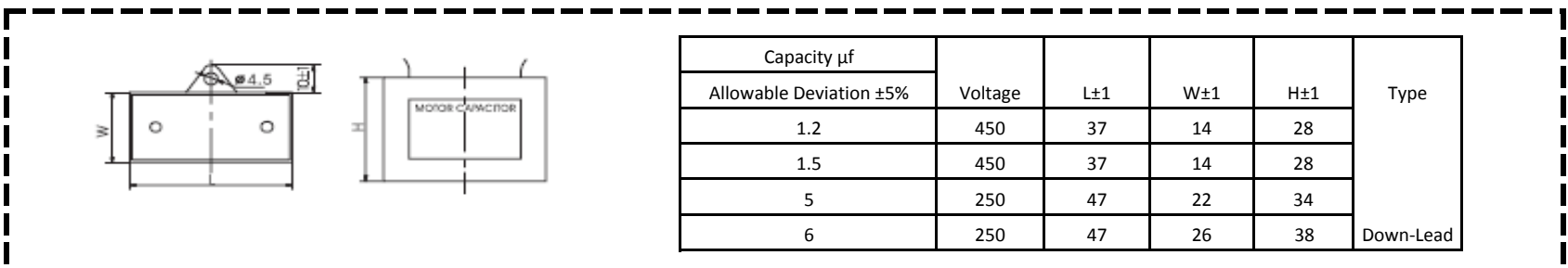


#### Gearhead Dimension



	Reduction Ratio	Size	Kg
Gearbox	3GN3K-GN18K	32	0.38
	3GN20K-GN50K	42	0.47
	3GN60K-GN200K	42	0.52
Motor			1.2

#### Compacitor



Capacity µf	Voltage	L±1	W±1	H±1	Type
1.2	450	37	14	28	Down-Lead
1.5	450	37	14	28	
5	250	47	22	34	
6	250	47	26	38	



## K Series

# 40 W



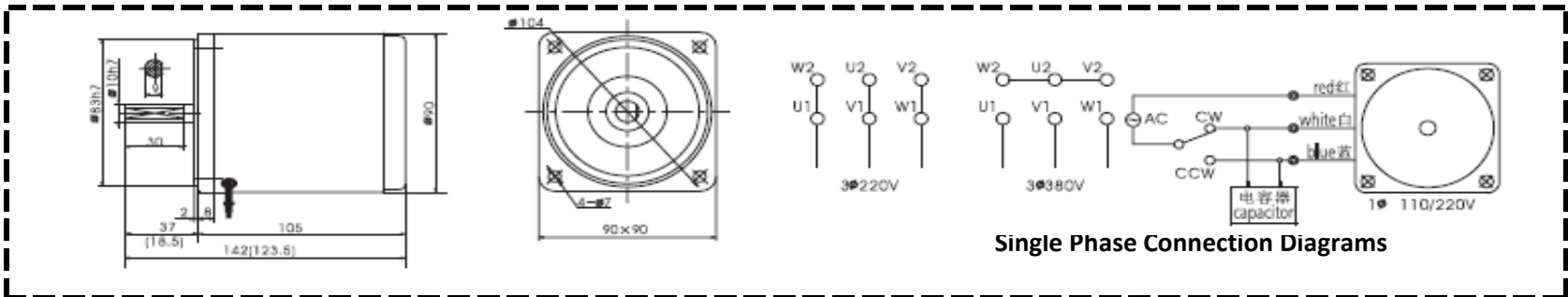
### Motor Specification

Motor	Model	Output W	Volt V	Freq Hz	Pole P	Duty	Rated				Start Torque		Capacitor µf/VAC
							Speed r/min	Current A	Torque N.m	kgf.cm	N.m	kgf.cm	
AI90-1540S4	GI5K40GN-A	40	1ph110	50	4	CONT	1350	0.64	0.29	2.85	0.25	2.50	10.0/250
AI90-3540S4	GI5K40GN-C	40	1ph220	50	4	CONT	1350	0.32	0.29	2.85	0.28	2.50	2.5/450
AI90-3540T2	GI5K40GN-S	40	3ph220	50	4	CONT	1300	0.38	0.29	2.90	1.15	11.50	
AI90-10540T4	GI5K40GN-S <sub>3</sub>	40	3ph380	50	4	CONT	1300	0.22	0.29	2.90	1.15	11.50	
AI90-3540S2		40	1ph220	50	2	CONT	2750	0.35	0.15	1.45	0.13	1.25	3.0/450

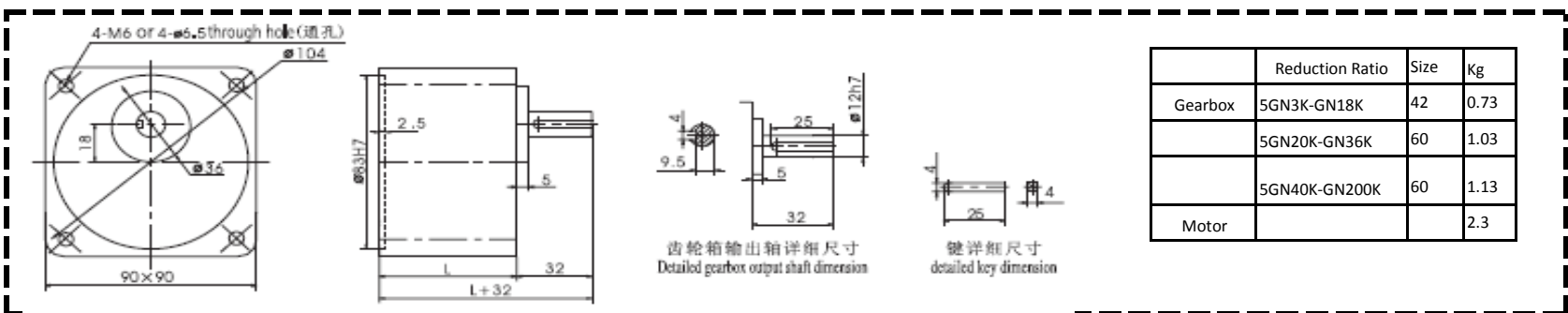
### Gearbox

Frequency	Ratio		3	3.6	5	6	7.5	9	10	12.5	15	18	20	25	30	36	40	50	60	75	90	100	120	150	180	200
			50HZ	Speed	r/min	500	417	300	250	200	166	150	120	100	83	75	60	50	41	37	30	25	20	16	15	12
50HZ	Allowable Torque	N.m	0.68	0.82	1.14	1.37	1.72	2.06	2.29	2.86	3.43	4.13	4.59	5.16	6.2	7.44	8.26	9.8	9.8	9.8	9.8	9.8	9.8	9.8	9.8	9.8
		kgf.cm	6.94	8.37	11.6	14	17.6	21	23.4	29.2	35	42.1	46.8	52.6	63.3	75.9	84.3	100	100	100	100	100	100	100	100	100
60HZ	Speed	r/min	600	500	360	300	240	200	180	144	120	100	90	72	60	50	45	36	30	24	20	18	15	12	10	9
	Allowable Torque	N.m	0.58	0.7	0.97	1.16	1.45	1.74	1.93	2.41	2.9	3.48	3.87	4.36	5.23	6.28	6.97	8.72	9.46	9.8	9.8	9.8	9.8	9.8	9.8	9.8
60HZ	Allowable Torque	kgf.cm	5.92	7.14	9.9	11.8	10.8	17.7	19.7	24.6	29.6	35.5	39.5	44.5	53.4	64.1	71.1	89	96.5	100	100	100	100	100	100	100

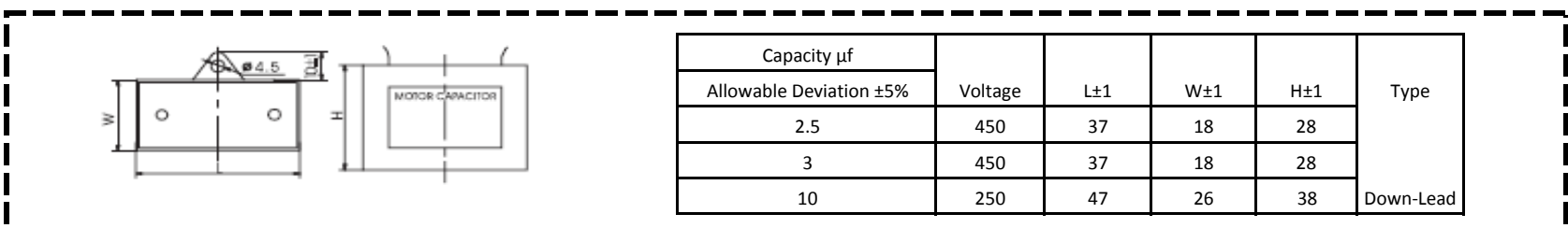
### Motor Dimension



### Gearhead Dimension



### Compacitor





## K Series

# 60 W



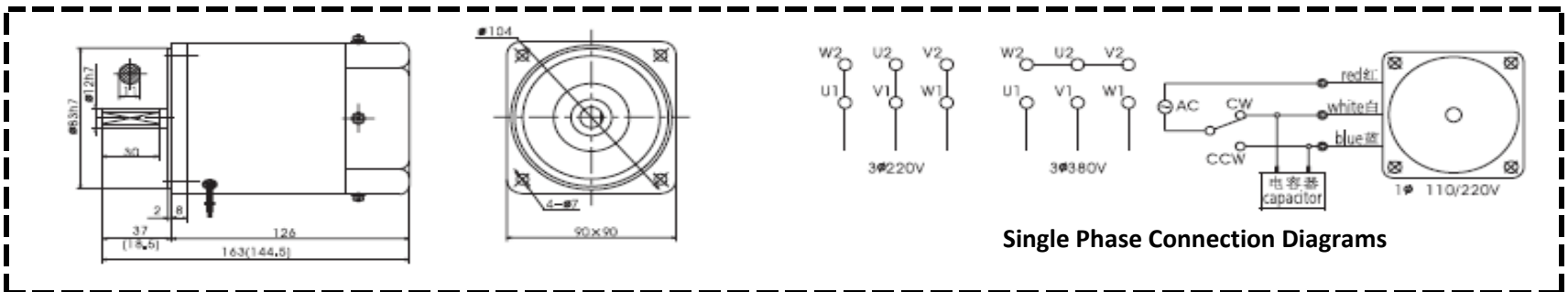
### Motor Specification

Model		Output	Volt	Freq	Pole	Duty	Rated				Start Torque		Capacitor
Motor	Motor With Gear shaft						Speed	Current	Torque		N.m	kgf.cm	
		W	V	Hz	P		r/min	A	N.m	kgf.cm	N.m	kgf.cm	µf/VAC
AI90-1560S4-F	GI5K60GN-AF	60	1ph110	50	4	CONT	1350	0.98	0.44	4.40	0.38	3.75	15.0/250
AI90-3560S4-F	GI5K60GN-CF	60	1ph220	50	4	CONT	1350	0.52	0.44	4.40	0.40	4.00	4.0/450
AI90-3560T2-F	GI5K60GN-SF	60	3ph220	50	4	CONT	1350	0.49	0.46	4.55	1.70	17.00	/
AI90-10560T4-F	GI5K60GN-S <sub>3</sub> F	60	3ph380	50	4	CONT	1350	0.28	0.46	4.55	1.70	17.00	/
AI90-3560S2		60	1ph220	50	2	CONT	2750	0.56	0.21	2.10	0.25	2.50	4.0/450

### Gearbox

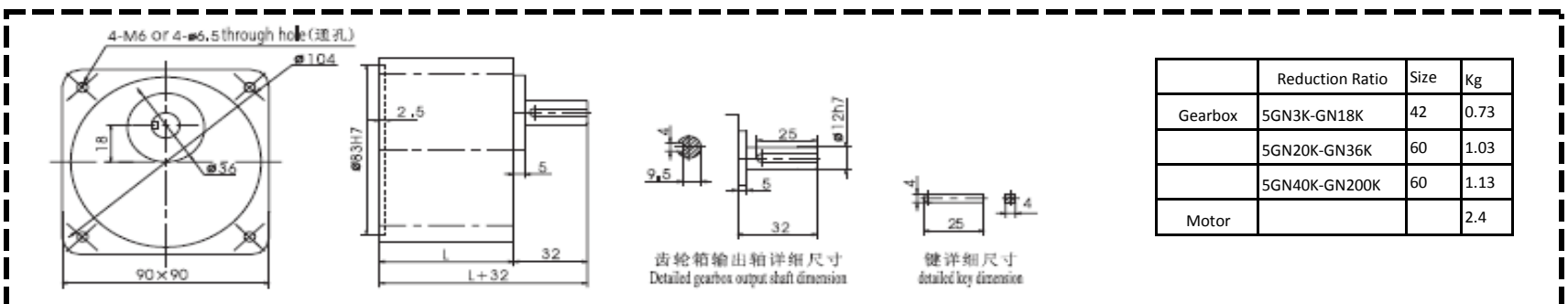
Frequency	Reduction Ratio		3	3.6	5	6	7.5	9	10	12.5	15	18	20	25	30	36	40	50	60	75	90	100	120	150	180	200
50HZ	Speed	r/min	500	417	300	250	200	166	150	120	100	83	75	60	50	41	37	30	25	20	16	15	12	10	8	7.5
	Allowable Torque	N.m	0.03	1.24	1.72	2.6	2.58	3.1	3.1	3.88	4.65	5.38	5.6	7.01	8.41	9.8	9.8	9.8	9.8	9.8	9.8	9.8	9.8	9.8	9.8	9.8
		kgf.cm	10.5	12.7	17.6	21	26.3	31.6	31.6	39.6	47.4	54.9	57.1	71.6	85.8	100	100	100	100	100	100	100	100	100	100	100
60HZ	Speed	r/min	600	500	360	300	240	200	180	144	120	100	90	72	60	50	45	36	30	24	20	18	15	12	10	9
	Allowable Torque	N.m	0.9	1.08	1.5	1.8	2.23	2.7	2.7	3.38	4.05	4.88	4.88	6.1	7.33	8.97	9.8	9.8	9.8	9.8	9.8	9.8	9.8	9.8	9.8	
		kgf.cm	9.18	11	15.3	18.4	23	27.6	27.6	34.5	41.3	49.5	49.5	62.2	74.7	90	100	100	100	100	100	100	100	100	100	100

### Motor Dimension



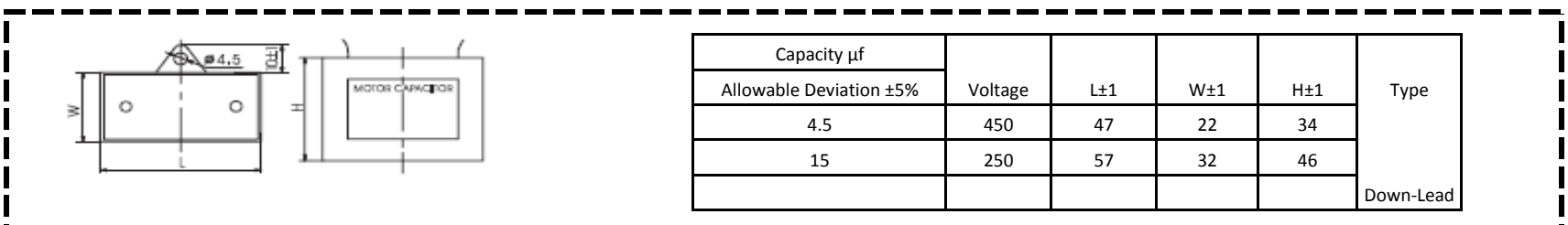
Single Phase Connection Diagrams

### Gearhead Dimension



	Reduction Ratio	Size	Kg
Gearbox	5GN3K-GN18K	42	0.73
	5GN20K-GN36K	60	1.03
	5GN40K-GN200K	60	1.13
Motor			2.4

### Compacitor



Capacity µf	Voltage	L±1	W±1	H±1	Type
Allowable Deviation ±5%					
4.5	450	47	22	34	Down-Lead
15	250	57	32	46	

## 60 W

### K Series

#### Speed Adjusted Motor



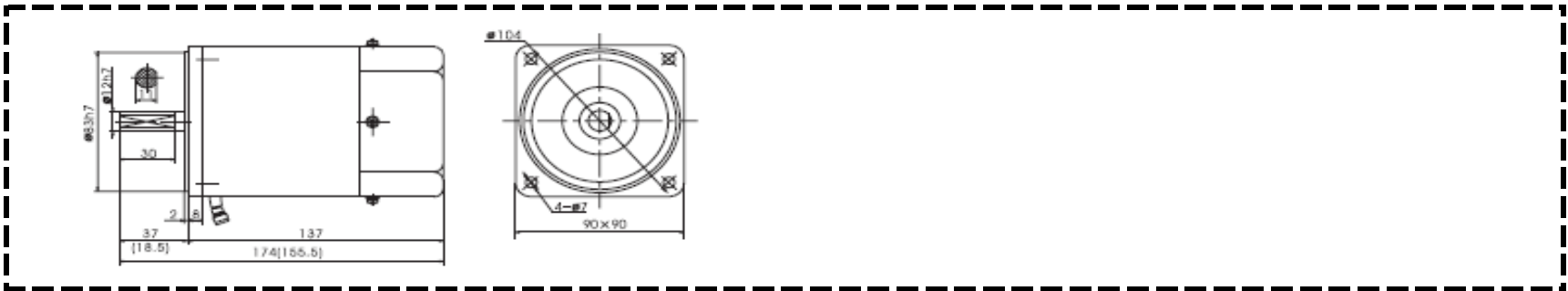
#### Motor Specification

Model		Output W	Volt V	Freq Pole		Duty	RPM rpm	Allowable Torque				Start Torque		Capacitor µf/VAC
Motor	Motor With Gear shaft			Hz	P			1200r/min		90r/min		N.m	kgf.cm	
AI90-1560S4-RF	GI5K60RGN-AF	60	1ph110	50	4	CONT	90~1350	0.50	5.00	0.14	1.40	0.31	3.10	15.0/250
AI90-3560S4-RF	GI5K60RGN-CF	60	1ph220	50	4	CONT	90~1350	0.50	5.00	0.14	1.40	0.33	3.30	4.0/450

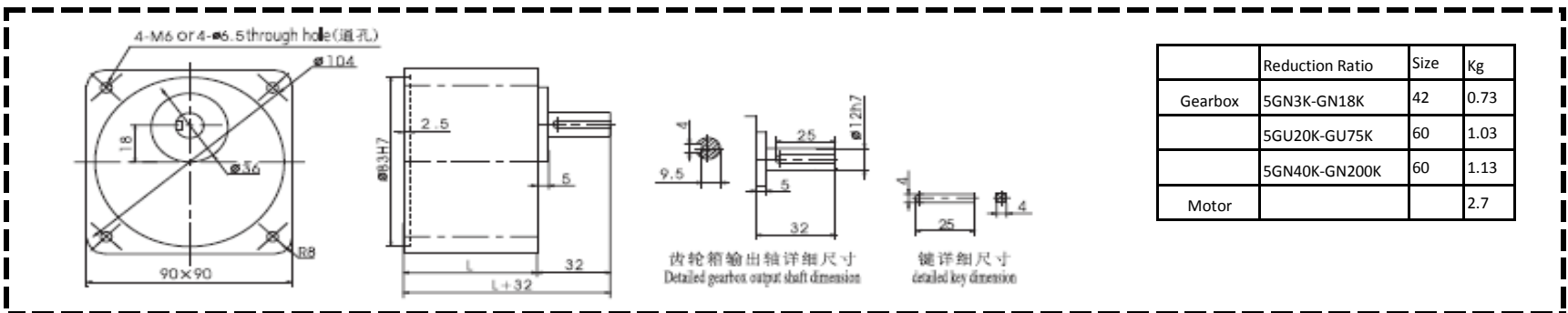
#### Gearbox

Frequency	Reduction Ratio		3	3.6	5	6	7.5	9	10	12.5	15	18	20	25	30	36	40	50	60	75	90	100	120	150	180	200
50HZ	Speed	r/min	500	417	300	250	200	166	150	120	100	83	75	60	50	41	37	30	25	20	16	15	12	10	8	7.5
	Allowable Torque	N.m kgf.cm	1.03 10.5	1.24 12.7	1.72 17.6	2.6 21	2.58 26.3	3.1 31.6	3.1 31.6	3.88 39.6	4.65 47.4	5.38 54.9	5.6 57.1	7.01 71.6	8.41 85.8	9.8 100	9.8 100	9.8 100	9.8 100	9.8 100	9.8 100	9.8 100	9.8 100	9.8 100	9.8 100	9.8 100
60HZ	Speed	r/min	600	500	360	300	240	200	180	144	120	100	90	72	60	50	45	36	30	24	20	18	15	12	10	9
	Allowable Torque	N.m kgf.cm	0.9 85.8	1.08 11	1.5 100	1.8 100	2.23 100	2.7 100	2.7 100	3.38 100	4.05 100	4.88 100	4.88 100	6.1 100	7.33 74.7	8.97 90	9.8 100	9.8 100	9.8 100	9.8 100	9.8 100	9.8 100	9.8 100	9.8 100	9.8 100	9.8 100

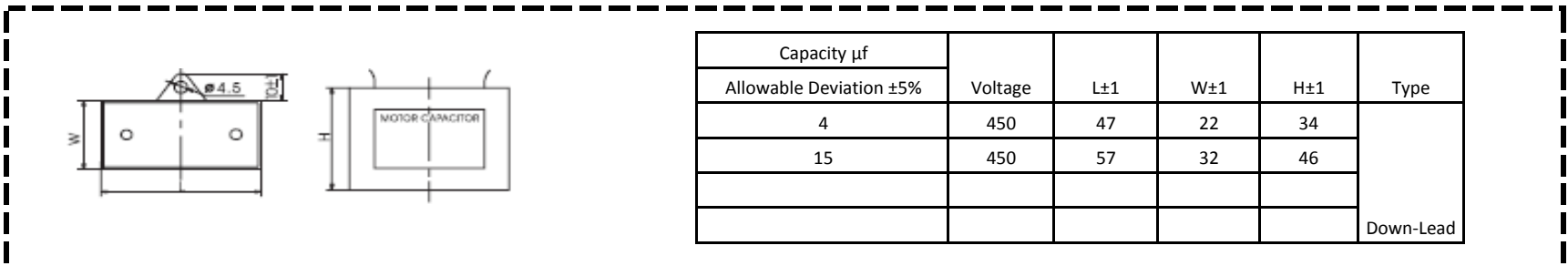
#### Motor Dimension



#### Gearhead Dimension



#### Compacitor



## K Series

# 60 W



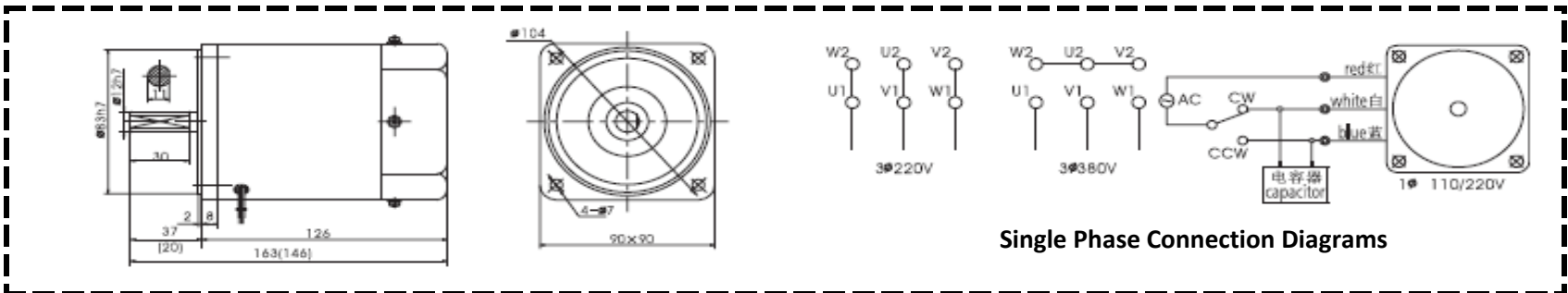
### Motor Specification

Motor	Model	Motor With Gear shaft	Output W	Volt V	Freq Hz	Pole P	Duty	Rated				Start Torque		Capacitor μf/VAC
								Speed r/min	Current A	Torque N.m	kgf.cm	N.m	kgf.cm	
	AI90-1560S4-F	GI5K60GU-AF	60	1ph110	50	4	CONT	1350	0.98	0.44	4.40	0.38	3.75	15.0/250
	AI90-3560S4-F	GI5K60GU-CF	60	1ph220	50	4	CONT	1350	0.52	0.44	4.40	0.40	4.00	4.0/450
	AI90-3560T2-F	GI5K60GU-SF	60	3ph220	50	4	CONT	1350	0.49	0.46	4.55	1.70	17.00	/
	AI90-10560T4-F	GI5K60GU-S <sub>3</sub> F	60	3ph380	50	4	CONT	1350	0.28	0.46	4.55	1.70	17.00	/

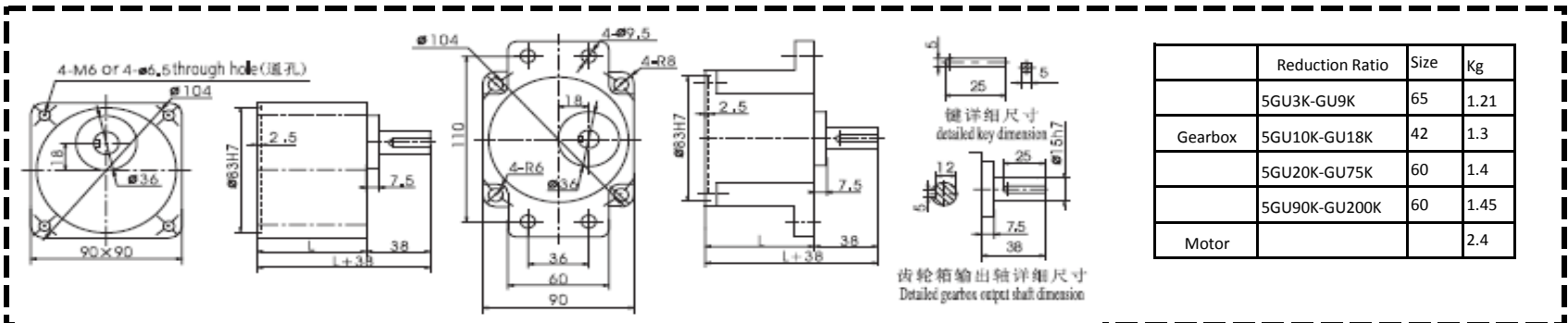
### Gearbox

Frequency	Ratio		3	3.6	5	6	7.5	9	10	12.5	15	18	20	25	30	36	40	50	60	75	90	100	120	150	180	200
			50HZ	Speed	r/min	500	417	300	250	200	166	150	120	100	83	75	60	50	41	37	30	25	20	16	15	12
Allowable Torque	N.m	1.03		1.24	1.72	2.6	2.58	3.1	3.1	3.88	4.65	5.38	5.6	7.01	8.41	10.1	11.2	14	16.8	19.6	19.6	19.6	19.6	19.6	19.6	19.6
	kgf.cm	10.5	12.7	17.6	21	26.3	31.6	31.6	39.6	47.4	54.9	57.1	71.6	85.8	103	114	143	171	200	200	200	200	200	200	200	200
60HZ	Speed	r/min	600	500	360	300	240	200	180	144	120	100	90	72	60	50	45	36	30	24	20	18	15	12	10	9
	Allowable Torque	N.m	0.9	1.08	1.5	1.8	2.23	2.7	2.7	3.38	4.05	4.88	4.88	6.1	7.33	8.79	9.76	12.2	14.6	18.3	19.6	19.6	19.6	19.6	19.6	19.6
kgf.cm		9.18	11	15.3	18.4	23	27.6	27.6	34.5	41.3	49.5	49.5	62.2	74.7	90	99.8	124	149	187	200	200	200	200	200	200	200

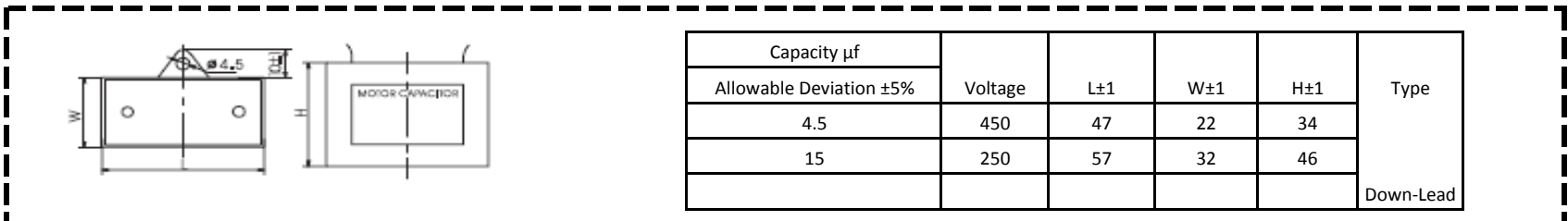
### Motor Dimension



### Gearhead Dimension



### Compacitor



## 60 W

### K Series

#### Speed Adjusted Motor



#### Motor Specification

Model		Output W	Volt V	Freq Pole		Duty	RPM rpm	Allowable Torque				Start Torque		Capacitor μf/VAC
Motor	Motor With Gear shaft			Hz	P			1200r/min		90r/min		N.m	kgf.cm	
AI90-1560S4-RF	GI5K60RGU-AF	60	1ph110	50	4	CONT	90~1350	0.50	5.00	0.14	1.40	0.31	3.10	15.0/250
AI90-3560S4-RF	GI5K60RGU-CF	60	1ph220	50	4	CONT	90~1350	0.50	5.00	0.14	1.40	0.33	3.30	4.0/450

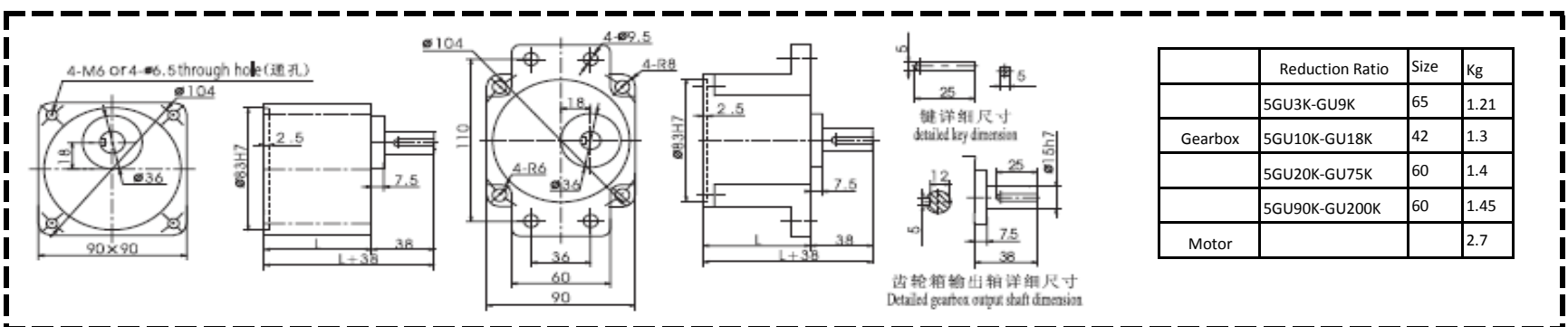
#### Gearbox

Frequency	Reduction Ratio		3	3.6	5	6	7.5	9	10	12.5	15	18	20	25	30	36	40	50	60	75	90	100	120	150	180	200
			50HZ	Speed	r/min	500	417	300	250	200	166	150	120	100	83	75	60	50	41	37	30	25	20	16	15	12
	Allowable Torque	N.m	1.03	1.24	1.72	2.6	2.58	3.1	3.1	3.88	4.65	5.38	5.6	7.01	8.41	9.8	9.8	9.8	9.8	9.8	9.8	9.8	9.8	9.8	9.8	9.8
		kgf.cm	10.5	12.7	17.6	21	26.3	31.6	31.6	39.6	47.4	54.9	57.1	71.6	85.8	103	114	143	171	200	200	200	200	200	200	200
60HZ	Speed	r/min	600	500	360	300	240	200	180	144	120	100	90	72	60	50	45	36	30	24	20	18	15	12	10	9
	Allowable Torque	N.m	0.9	1.08	1.5	1.8	2.23	2.7	2.7	3.38	4.05	4.88	4.88	6.1	7.33	8.79	9.76	12.2	14.6	18.3	19.6	19.6	19.6	19.6	19.6	
		kgf.cm	9.18	11	15.3	18.4	23	27.6	27.6	34.5	41.3	49.5	49.5	62.2	74.7	90	99.8	124	149	187	200	200	200	200	200	200

#### Motor Dimension

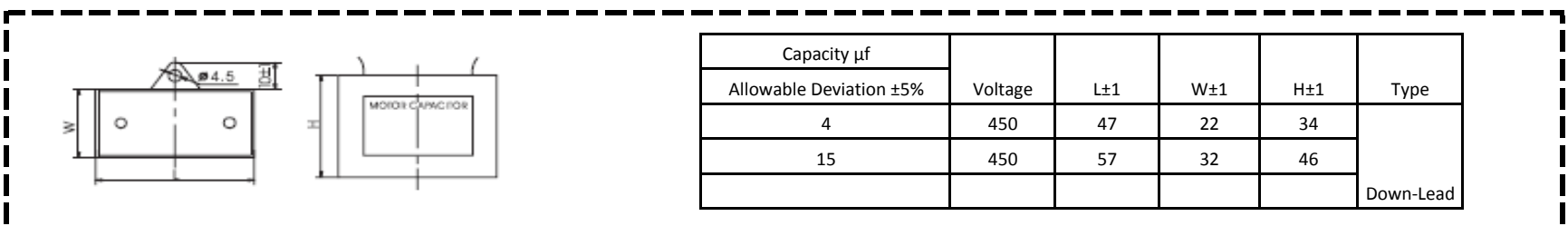


#### Gearhead Dimension



	Reduction Ratio	Size	Kg
	5GU3K-GU9K	65	1.21
Gearbox	5GU10K-GU18K	42	1.3
	5GU20K-GU75K	60	1.4
	5GU90K-GU200K	60	1.45
Motor			2.7

#### Compacitor



Capacity μf	Voltage	L±1	W±1	H±1	Type
Allowable Deviation ±5%					
4	450	47	22	34	Down-Lead
15	450	57	32	46	

## K Series

# 90 W



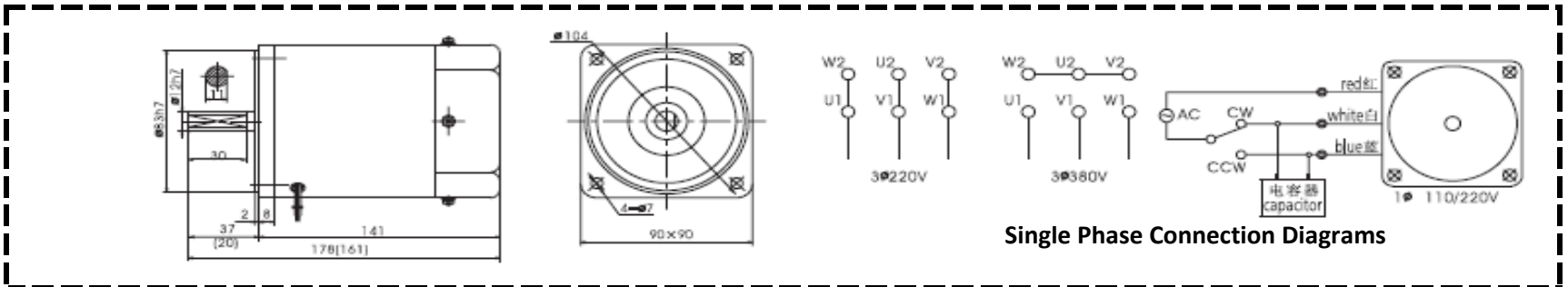
### Motor Specification

Model		Output W	Volt V	Freq Hz	Pole P	Duty	Rated				Start Torque		Capacitor μf/VAC
Motor	Motor With Gear shaft						Speed r/min	Current A	Torque N.m	kgf.cm	N.m	kgf.cm	
AI90-1590S4-F	GI5K90GU-AF	90	1ph110	50	4	CONT	1350	1.40	0.64	6.40	0.50	5.00	20.0/250
AI90-3590S4-F	GI5K90GU-CF	90	1ph220	50	4	CONT	1350	0.70	0.64	6.40	0.48	4.80	5.0/450
AI90-3590T2-F	GI5K90GU-SF	90	3ph220	50	4	CONT	1300	0.66	0.66	6.60	2.40	24.00	/
AI90-10590T4-F	GI5K90GU-S <sub>3</sub> F	90	3ph380	50	4	CONT	1300	0.38	0.66	6.60	2.40	24.00	/
AI90-3590S2		90	1ph220	50	4	CONT	2800	0.79	0.30	3.00	0.34	3.40	6.0/450

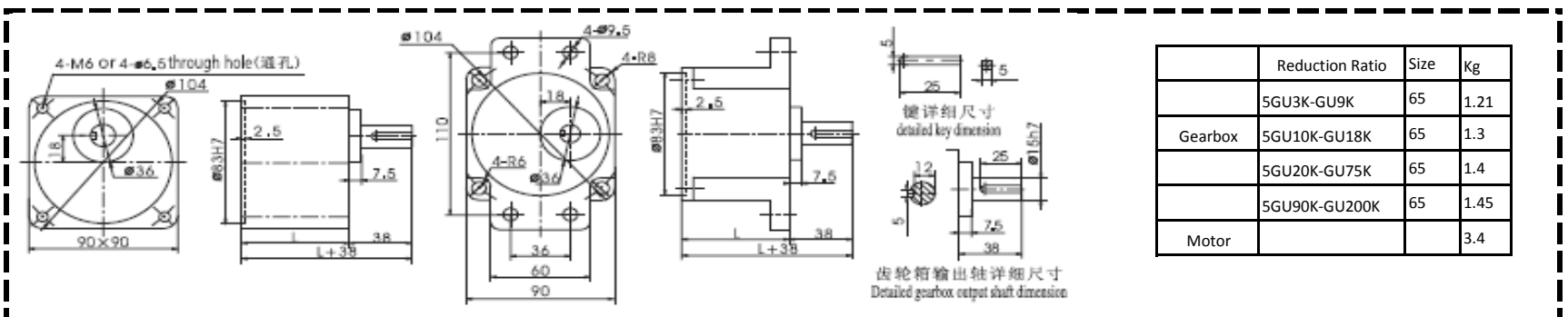
### Gearbox

Frequency	Reduction Ratio		3	3.6	5	6	7.5	9	10	12.5	15	18	20	25	30	36	40	50	60	75	90	100	120	150	180	200
50HZ	Speed	r/min	500	417	300	250	200	166	150	120	100	83	75	60	50	41	37	30	25	20	16	15	12	10	8	7.5
	Allowable Torque	N.m	1.55	1.86	2.58	3.1	3.87	4.64	4.65	5.81	6.98	8.37	8.4	10.5	12.6	15.1	16.8	19.6	19.6	19.6	19.6	19.6	19.6	19.6	19.6	19.6
60HZ	Speed	r/min	600	500	360	300	240	200	180	144	120	100	90	72	60	50	45	36	30	24	20	18	15	12	10	9
	Allowable Torque	N.m	1.35	1.62	2.25	2.7	3.37	4.04	4.05	5.06	6.07	7.29	7.32	9.15	11	13.2	14.6	18.3	19.6	19.6	19.6	19.6	19.6	19.6	19.6	19.6
		kgf.cm	13.8	16.5	23	27.6	34.4	41.2	41.3	51.6	61.9	74.4	74.7	93.4	112	135	149	187	200	200	200	200	200	200	200	200

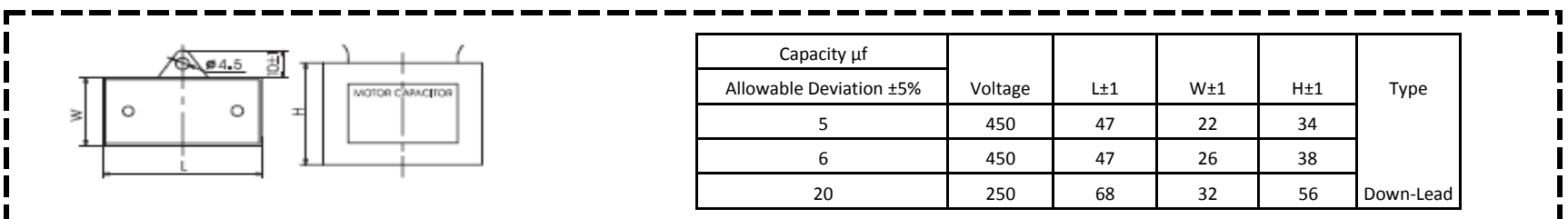
### Motor Dimension



### Gearhead Dimension



### Compacitor





## K Series

# 120 W



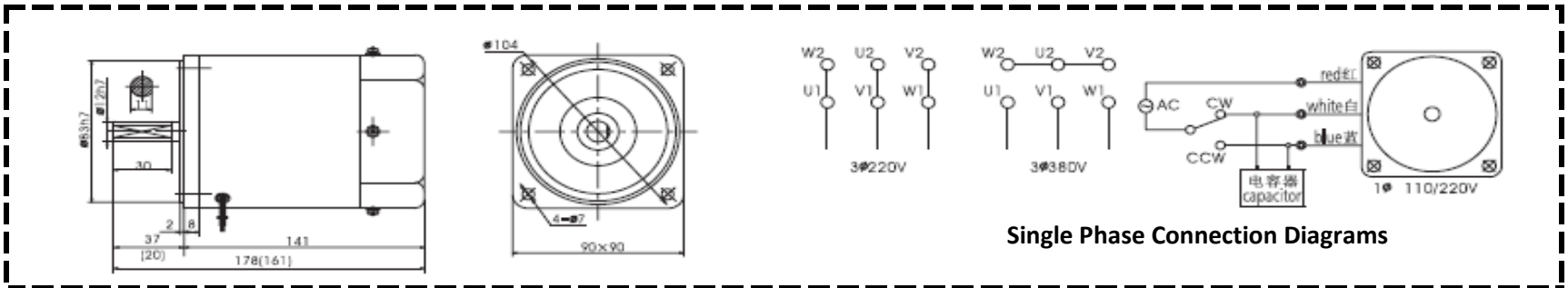
### Motor Specification

Model		Output	Volt	Freq	Pole	Duty	Rated				Start Torque		Capacitor
Motor	Motor With Gear shaft						Speed	Current	Torque		N.m	kgf.cm	
		W	V	Hz	P		r/min	A	N.m	kgf.cm	N.m	kgf.cm	μf/VAC
AI90-15120S4-F	GI5K120GU-AF	120	1ph110	50	4	CONT	1250	1.80	0.90	9.00	0.65	6.50	25.0/250
AI90-35120S4-F	GI5K120GU-CF	120	1ph220	50	4	CONT	1300	0.92	0.87	8.65	0.75	7.50	7.0/450
AI90-35120T2-F	GI5K120GU-SF	120	3ph220	50	4	CONT	1300	0.83	0.87	8.65	3.20	32.00	/
AI90-105120T4-F	GI5K120GU-S <sub>3</sub> F	120	3ph380	50	4	CONT	1300	0.48	0.87	8.65	3.20	32.00	/
AI90-35120S2		120	1ph220	50	4	CONT	2800	1.20	0.40	4.00	0.51	5.05	8.0/450

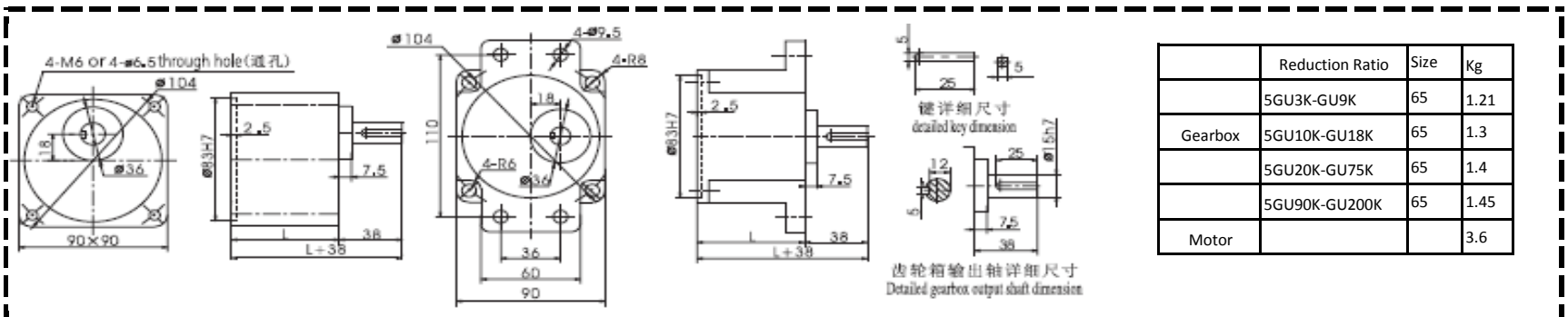
### Gearbox

Frequency	Reduction Ratio		3	3.6	5	6	7.5	9	10	12.5	15	18	20	25	30	36	40	50	60	75	90	100	120	150	180	200
50HZ	Speed	r/min	500	417	300	250	200	166	150	120	100	83	75	60	50	41	37	30	25	20	16	15	12	10	8	7.5
	Allowable Torque	N.m	2.14	2.57	3.57	4.29	5.38	6.43	6.43	8.05	9.66	11.6	11.6	14.6	17.5	19.6	19.6	19.6	19.6	19.6	19.6	19.6	19.6	19.6	19.6	19.6
60HZ	Speed	r/min	600	500	360	300	240	200	180	144	120	100	90	72	60	50	45	36	30	24	20	18	15	12	10	9
	Allowable Torque	N.m	1.8	2.16	3	3.6	4.49	5.39	5.39	6.75	8.1	9.72	9.72	12.2	14.6	17.6	19.5	19.6	19.6	19.6	19.6	19.6	19.6	19.6	19.6	19.6
		kgf.cm	18.4	22	30.6	36.7	45.8	55	55	68.9	82.7	99.2	99.2	124	149	180	199	200	200	200	200	200	200	200	200	200

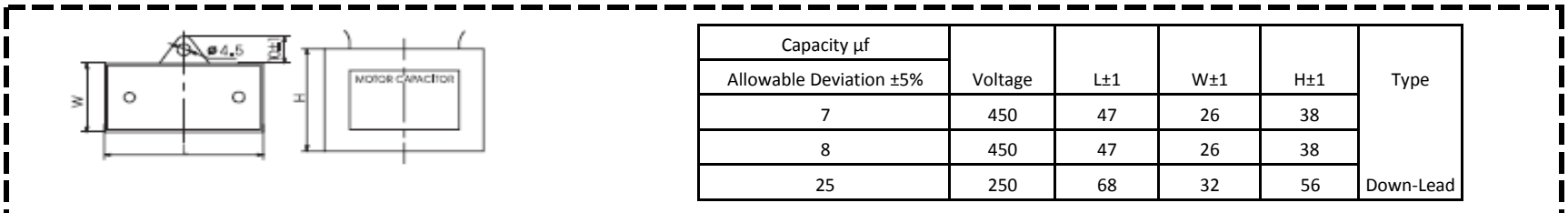
### Motor Dimension



### Gearhead Dimension



### Compacitor





## K Series

# 140 W



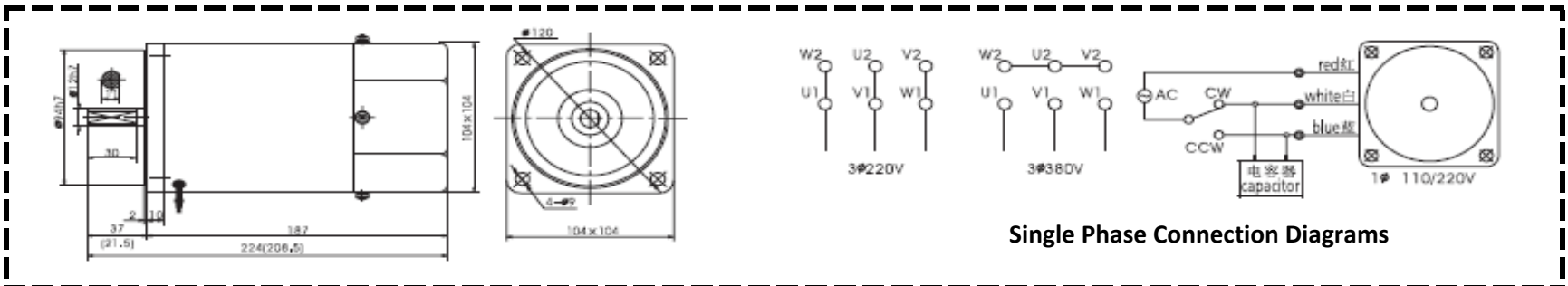
### Motor Specification

Motor	Model	Output W	Volt V	Freq Hz	Pole P	Duty	Rated				Start Torque		Capacitor
							Speed r/min	Current A	Torque N.m	kgf.cm	N.m	kgf.cm	μf/VAC
AI100-15140S4-RF	GI6K140GU-AF	140	1ph110	50	4	CONT	1350	2.00	0.99	9.95	0.90	9.00	30.0/250
AI100-35140S4-F	GI6K140GU-CF	140	1ph220	50	4	CONT	1350	1.13	0.99	9.95	0.90	9.00	10.0/450
AI100-35140T2-F	GI6K140GU-SF	140	3ph220	50	4	CONT	1350	0.95	0.99	9.95	3.50	35.00	/
AI100-105140T4-F	GI6K140GU-S <sub>3</sub> F	140	3ph380	50	4	CONT	1350	0.55	0.99	9.95	3.50	35.00	/
AI100-35140S2		140	1ph220	50	4	CONT	2800	0.88	0.45	4.50	0.44	4.40	10.0/450

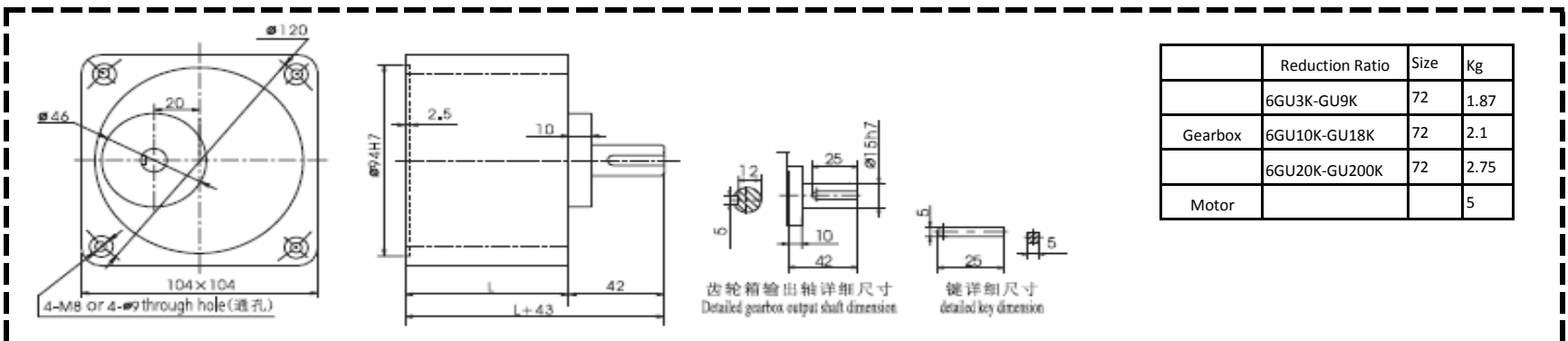
### Gearbox

Frequency	Reduction Ratio	Gearbox Ratios																								
		3	3.6	5	6	7.5	9	10	12.5	15	18	20	25	30	36	40	50	60	75	90	100	120	150	180	200	
50HZ	Speed	r/min	500	417	300	250	200	166	150	120	100	83	75	60	50	41	37	30	25	20	16	15	12	10	8	7.5
	Allowable Torque	N.m	2.36	2.83	3.93	4.71	5.89	7.07	7.07	8.85	10.6	12.7	12.7	16	19.2	23	25.6	32	38.4	39.2	39.2	39.2	39.2	39.2	39.2	39.2
kgf.cm		24.1	28.8	40.1	48.1	60.1	72.1	72.1	90.3	108	130	130	163	196	235	261	327	392	400	400	400	400	400	400	400	400
60HZ	Speed	r/min	600	500	360	300	240	200	180	144	120	100	90	72	60	50	45	36	30	24	20	18	15	12	10	9
	Allowable Torque	N.m	2.03	2.44	3.39	4.06	5.08	6.09	6.09	7.6	9.15	11	11	13.8	16.6	19.9	22.1	27.6	33.1	39.2	39.2	39.2	39.2	39.2	39.2	39.2
kgf.cm		20.7	24.9	34.6	41.2	51.8	62.1	62.1	77.6	93.4	112	112	141	169	203	226	282	338	400	400	400	400	400	400	400	

### Motor Dimension



### Gearhead Dimension



### Compacitor

