

SC Series AC Servo Motor



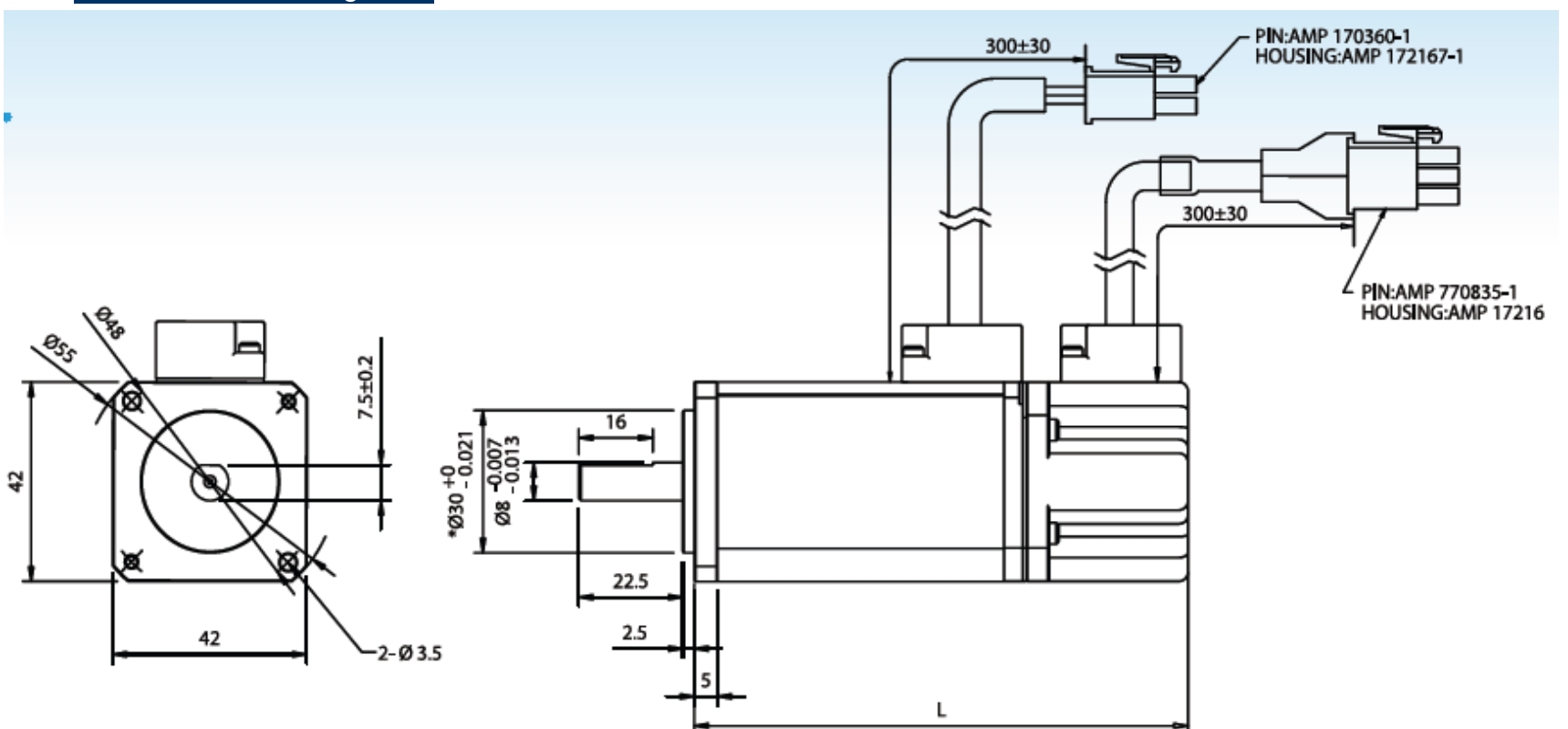
Specifications

SCSeries AC Servo Motor - Frame Size 42mm

Item	Motor Type	Unit	VA420530SC	VA421030SC
Rated Output		W	50	100
Amplifier Type			TSTA15C	TSTA15C
Rated terminal voltage		V	100	100
Rated Torque		N m	0.16	0.32
Rated Current		A	0.9	1.6
Rated Speed		rpm	3000	3000
Peak Torque		N m	4.8	9.6
Peak Current		A	2.7	4.8
Torque Constant		N m/A	0.178	0.2
Voltage Constant		V/K rpm	18.7	19.4
Inertia (GD ² /4)		Kg cm	0.029	0.036
Resistance		Ω	19.05	7.71
Inductance		mH	7.2	2.7
Mechanical Time Constant		ms	1.2	0.5
Electrical Time Constant		ms	0.4	0.35
Length		mm	85.8	106.8
Weight (standard)		Kg	0.48	0.7
Speed Detector	Optics Encoder(INC: 2000P/R, ABS: 2048P/R)			
Time	Continuous			
Insulation class	F			
Insulation Voltage	AC 1500V at 1 minute			
Insulation resistance	DC 500V Above 10 MΩ			
Structure	Fully closed			
Shockproofness	Below 2.5G			
Altitude	Under 1000m			
Temperature Humidity	Temperature: 0~40, Humidity: Below 90%RH (No Frosting)			
Temp. Humidity for storage	Temperature: -20 ~60, Humidity: Below 90%RH (No Frosting)			
Color	N 1.5			
Fixing Mode	Flange			

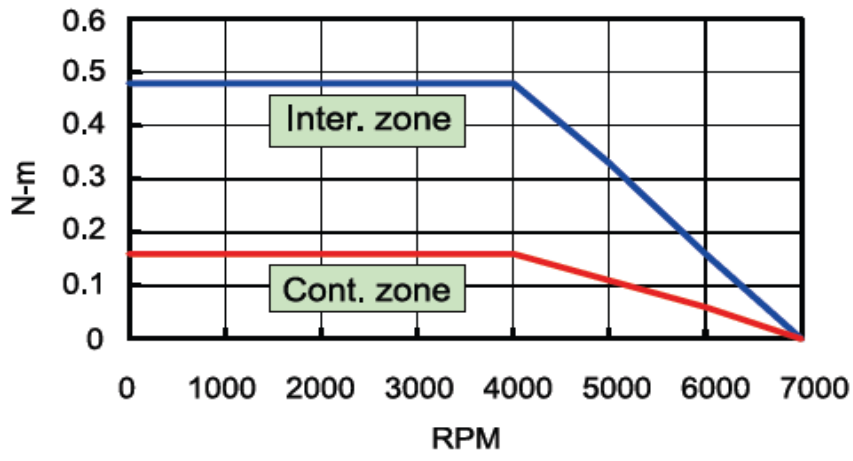


Outline Drawing

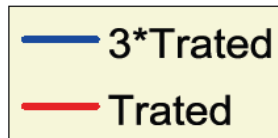
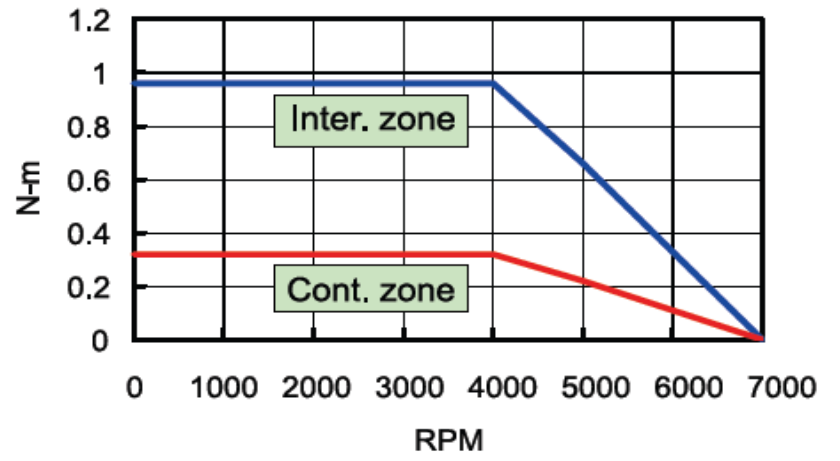


Performance Curve

VA420530SC



VA421030SC



SC Series AC Servo Motor



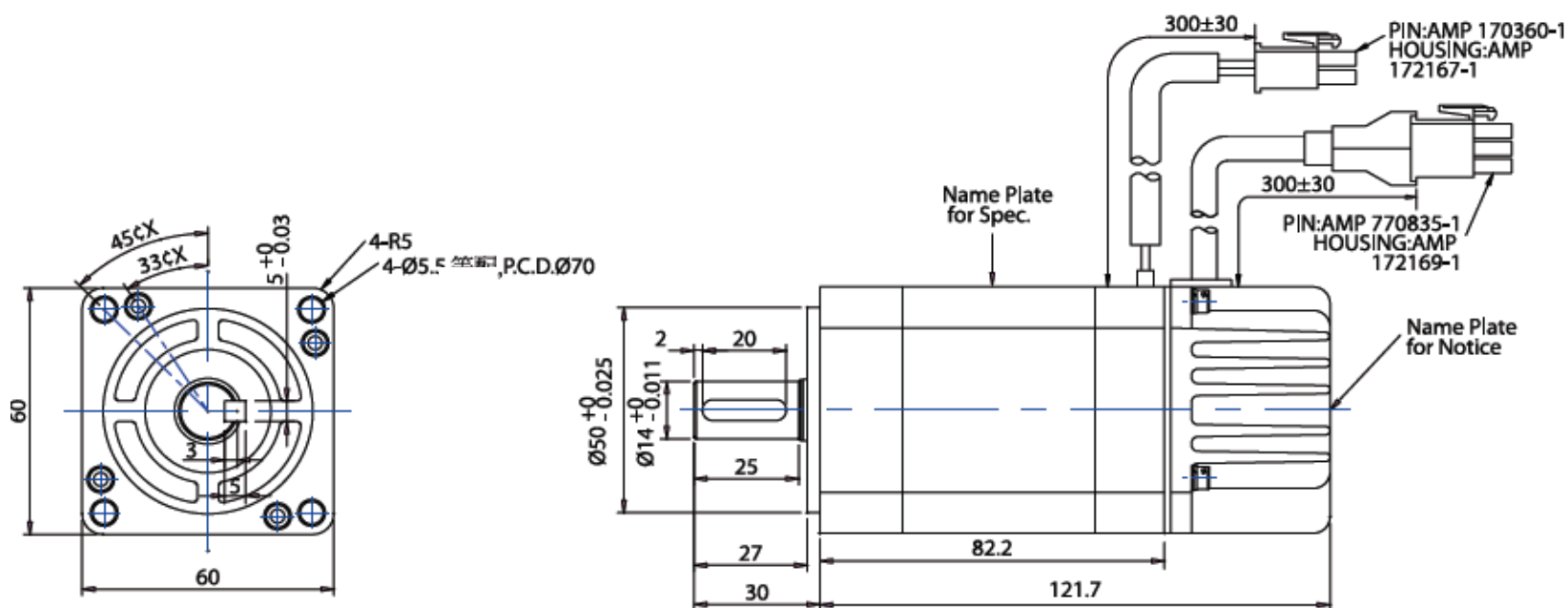
Specifications

SCSeries AC Servo Motor - Frame Size 60mm

Item	Motor Type	Unit	VA604030SC
Rated Output		W	400
Amplifier Type			TSTA20C
Rated terminal voltage		V	77.53
Rated Torque		N m	1.274
Rated Current		A	3.5
Rated Speed		rpm	3000
Peak Torque		N m	3.822
Peak Current		A	10.5
Torque Constant		N m/A	0.39
Voltage Constant		V/K rpm	40.4
Inertia (GD ² /4)		Kg cm	0.277
Resistance		Ω	2.94
Inductance		mH	5.7
Mechanical Time Constant		ms	1.97
Electrical Time Constant		ms	1.94
Length		mm	121.7
Weight (standard)		Kg	1.44
Speed Detector	Optics Encoder(INC: 2000P/R, ABS: 2048P/R)		
Time	Continuous		
Insulation class	F		
Insulation Voltage	AC 1500V at 1 minute		
Insulation resistance	DC 500V Above 10 MΩ		
Structure	Fully closed		
Shockproofness	Below 2.5G		
Altitude	Under 1000m		
Temperature Humidity	Temperature: 0~40, Humidity: Below 90%RH (No Frosting)		
Temp. Humidity for storage	Temperature: -20 ~60, Humidity: Below 90%RH (No Frosting)		
Color	N 1.5		
Fixing Mode	Flange		

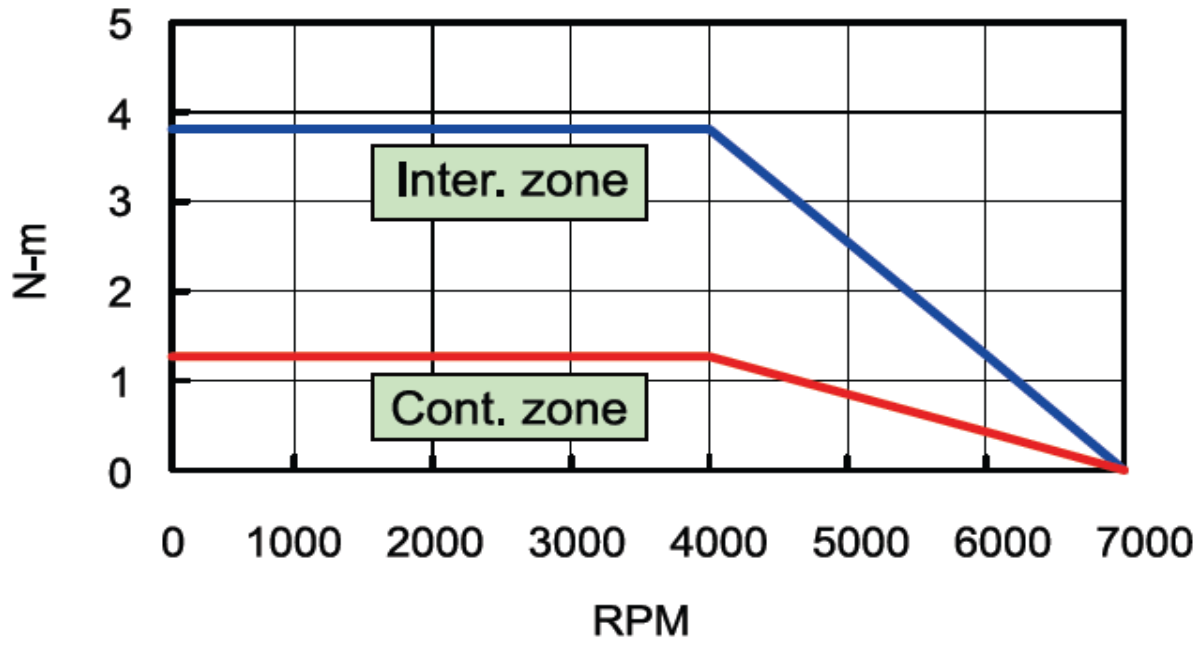


Outline Drawing



VA604030SC

TSC06-401C



SC Series AC Servo Motor



Specifications

SCSeries AC Servo Motor - Frame Size 80mm

Item	Motor Type	Unit	VA807530SC
Rated Output		W	750
Amplifier Type			TSTA30C
Rated terminal voltage		V	105.3
Rated Torque		N m	2.386
Rated Current		A	4.4
Rated Speed		rpm	3000
Peak Torque		N m	7.159
Peak Current		A	13.8
Torque Constant		N m/A	0.6
Voltage Constant		V/K rpm	63
Inertia (GD ² /4)		Kg cm	0.9
Resistance		Ω	1.7
Inductance		mH	7
Mechanical Time Constant		ms	0.4
Electrical Time Constant		ms	4
Length		mm	
Weight (standard)		Kg	2.5
Speed Detector	Optics Encoder(INC: 2000P/R, ABS: 2048P/R)		
Time	Continuous		
Insulation class	F		
Insulation Voltage	AC 1500V at 1 minute		
Insulation resistance	DC 500V Above 10 MΩ		
Structure	Fully closed		
Shockproofness	Below 2.5G		
Altitude	Under 1000m		
Temperature Humidity	Temperature: 0~40, Humidity: Below 90%RH (No Frosting)		
Temp. Humidity for storage	Temperature: -20 ~60, Humidity: Below 90%RH (No Frosting)		
Color	N 1.5		
Fixing Mode	Flange		



Above data for reference only.



SB Series AC Servo Motor



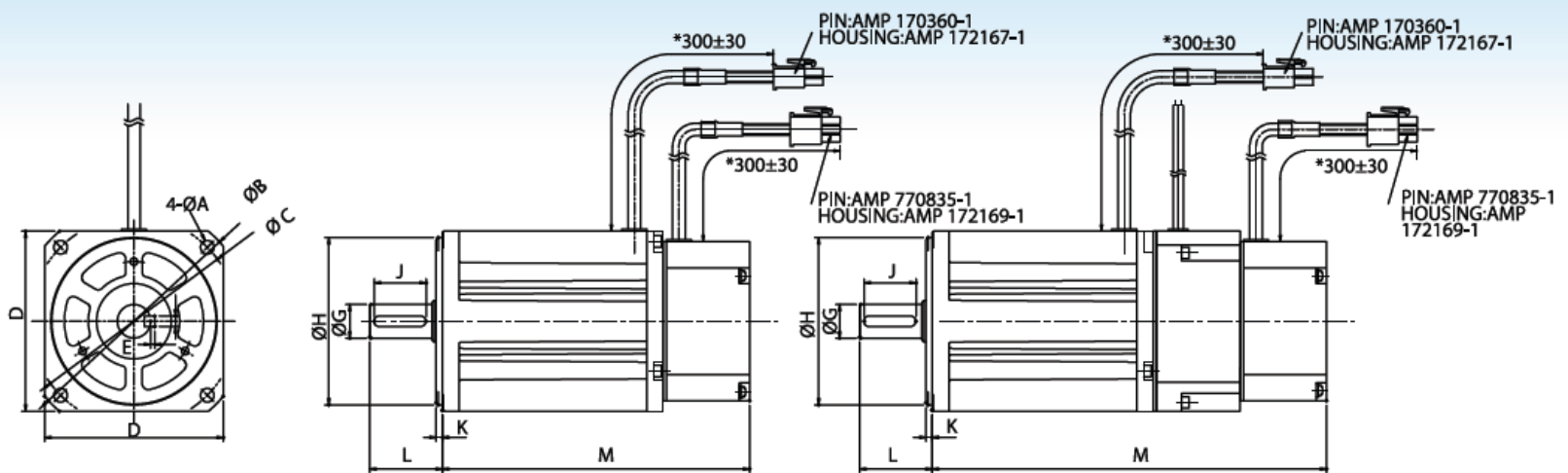
Specifications

SB Series AC Servo Motor, Frame Size 76 mm

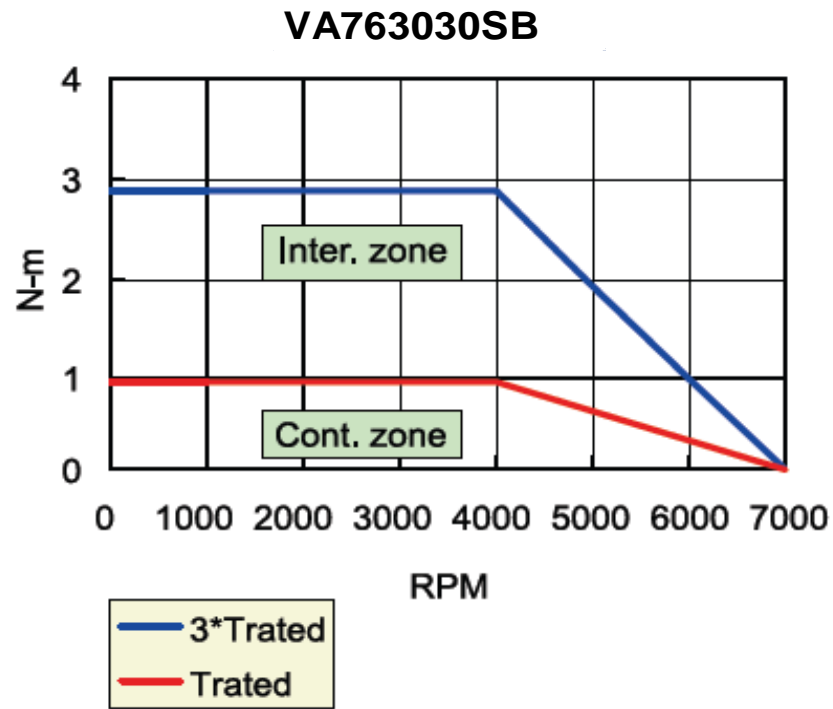
Item	Unit	VA763030SB
Rated Output	W	300
Amplifier Type		TSTA15C
Rated terminal voltage	V	107.7
Rated Torque	N m	0.95
Rated Current	A	2
Rated Speed	rpm	3000
Peak Torque	N m	2.861
Peak Current	A	6.0
Torque Constant	N m/A	0.524
Voltage Constant	V/K rpm	54.9
Inertia (GD ² /4)	Kg cm	0.671
Resistance	Ω	8.37
Inductance	mH	17.4
Mechanical Time Constant	ms	1.96
Electrical Time Constant	ms	2.05
Weight (standard)	Kg	1.82
Speed Detector	Optical Encoder(INC: 2000P/R, ABS: 2048P/R)	
Time	Continuous	
Insulation class	F (155°C)	
Insulation Voltage	AC 1500V at 1 minute	
Insulation resistance	DC 500V Above 10 MΩ	
Structure	Fully closed	
Shockproofness	Below 2.5G	
Altitude	Under 1000m	
Temperature Humidity	Temperature: 0~40, Humidity: Below 90%RH (No Frosting)	
Temp. Humidity for storage	Temperature: -20 ~60, Humidity: Below 90%RH (No Frosting)	
Color	N 1.5	
Fixing Mode	Flange	



Outline Drawing



Motor Type	A	B	C	D	E	F	G	H	J	K	L	M
With Brake	Φ5.5	Φ100	Φ90	76	2	5	Φ14	Φ70	20	3	35	151.5
	Φ6.5	Φ112	Φ100	86	2	5	Φ16	Φ80	25	3	35	190
Non Brake	Φ5.5	Φ100	Φ90	76	2	5	Φ14	Φ70	20	3	30	113.5
	Φ6.5	Φ112	Φ100	86	2	5	Φ16	Φ80	25	3	35	148



SB Series AC Servo Motor



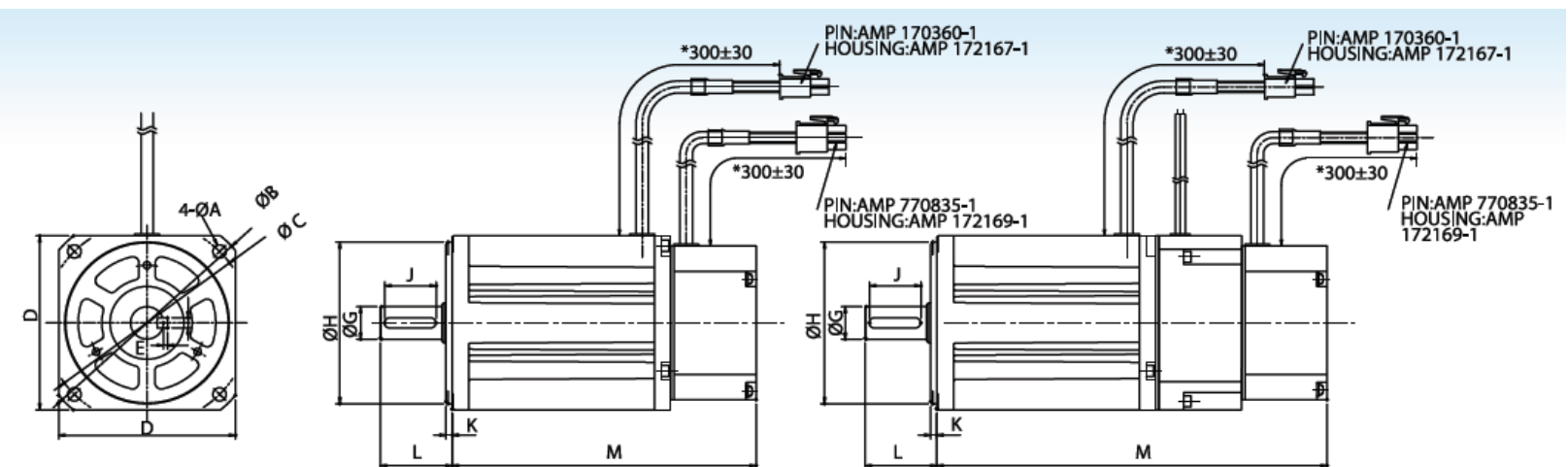
Specifications

SB Series AC Servo Motor, Frame Size 86 mm

Item	Motor Type	Unit	VA867530SB
Rated Output		W	750
Amplifier Type			TSTA20C
Rated terminal voltage		V	149.4
Rated Torque		N m	2.391
Rated Current		A	3.4
Rated Speed		rpm	3000
Peak Torque		N m	7.164
Peak Current		A	10.2
Torque Constant		N m/A	0.776
Voltage Constant		V/K rpm	81.4
Inertia (GD ² /4)		Kg cm	2.449
Resistance		Ω	3.27
Inductance		mH	10.2
Mechanical Time Constant		ms	1.032
Electrical Time Constant		ms	3.12
Weight (standard)		Kg	3.41
Speed Detector	Optical Encoder(INC: 2000P/R, ABS: 2048P/R)		
Time	Continuous		
Insulation class	F (155°C)		
Insulation Voltage	AC 1500V at 1 minute		
Insulation resistance	DC 500V Above 10 MΩ		
Structure	Fully closed		
Shockproofness	Below 2.5G		
Altitude	Under 1000m		
Temperature Humidity	Temperature: 0~40, Humidity: Below 90%RH (No Frosting)		
Temp. Humidity for storage	Temperature: -20 ~60, Humidity: Below 90%RH (No Frosting)		
Color	N 1.5		
Fixing Mode	Flange		



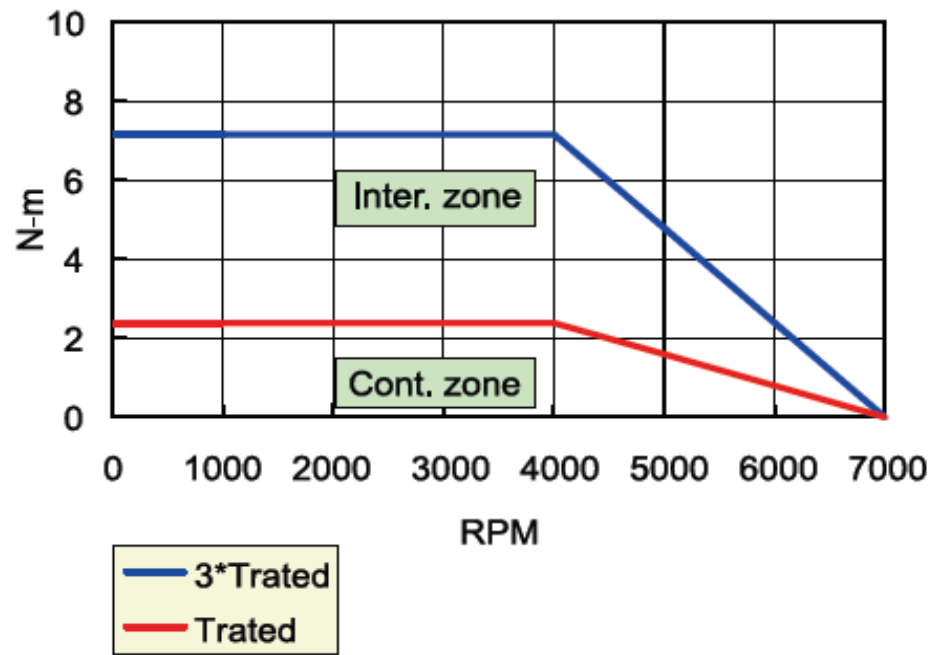
Outline Drawing



	Motor Type	A	B	C	D	E	F	G	H	J	K	L	M
With Brake	VA867530SB	Φ6.5	Φ112	Φ100	86	2	5	Φ16	Φ80	25	3	35	190
No Brake	VA867530SB	Φ6.5	Φ112	Φ100	86	2	5	Φ16	Φ80	25	3	35	148

Performance Curve

VA867530SB



SB Series AC Servo Motor



Specifications

SB Series AC Servo Motor

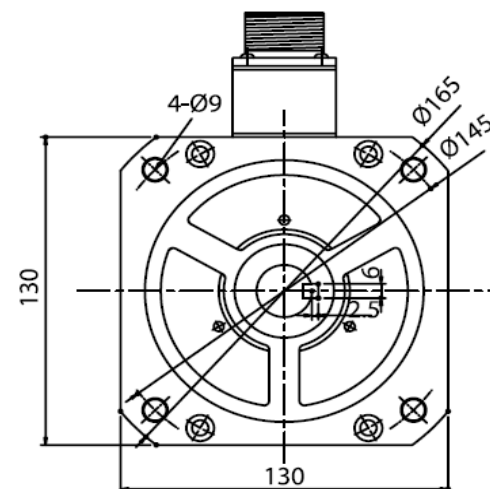
- Frame Size 130mm

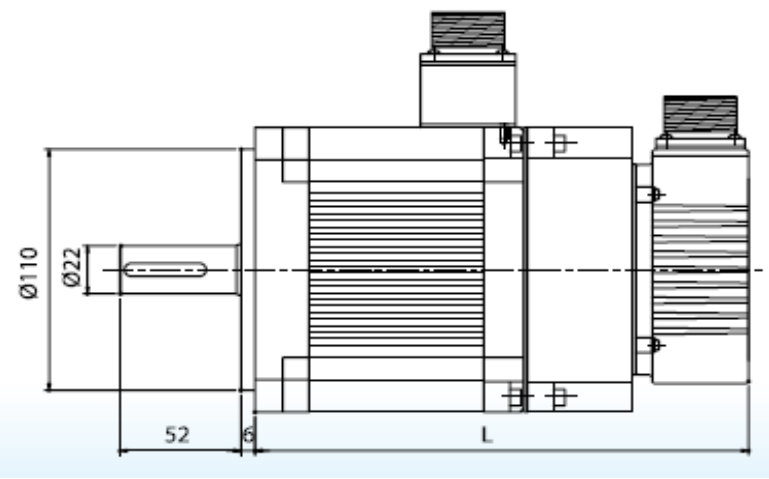
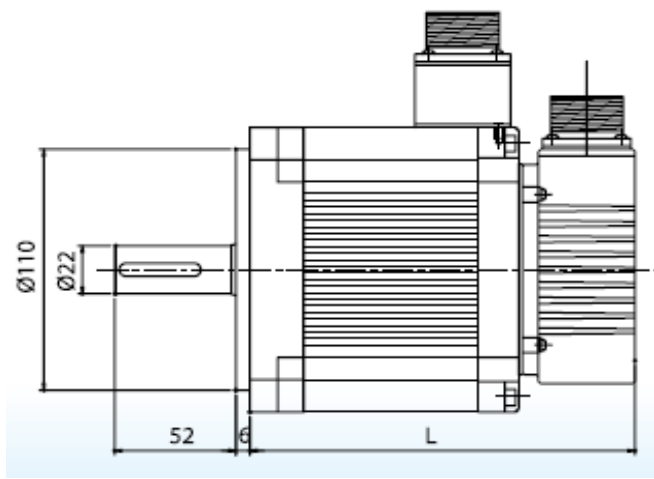


Item	Motor Type	Unit	VA1305510-	VA13010010-	VA13010020-	VA13015010-	VA13015030-	VA1302002	VA13030020-	VA1303003
			SB	SB	SB	SB	SB	0-SB	SB	0-SB
Rated Output		W	550	1000	1000	1500	1500	2000	3000	3000
Amplifier Type			TSTA30C	TSTA30C	TSTA30C	TSTA50D	TSTA50D	TSTA50D	TSTA75D	TSTA75D
Rated terminal voltage		V	162.3	188.7	185.3	194.4	200.3	205.4	189.4	199.7
Rated Torque		N m	5.252	9.545	4.782	14.327	4.782	9.545	14.327	9.545
Rated Current		A	3.43	5.16	5.16	7.45	7.06	9.18	14	14
Rated Speed		rpm	1000	1000	2000	1000	3000	2000	2000	3000
Peak Torque		N m	15.758	28.645	14.327	42.963	14.327	28.645	42.963	28.645
Peak Current		A	10.3	15.5	15.5	22.35	21.2	27.5	42	42
Torque Constant		N m/A	1.679	2.039	1.019	2.26	0.74	1.139	1.13	0.75
Voltage Constant		V/K rpm	175.9	213.6	106.8	236.6	77.5	119.4	118.3	78.5
Inertia (GD ² /4)		Kg cm	6.26	12.14	6.26	17.92	6.26	12.14	17.92	12.14
Resistance		Ω	5.37	2.78	1.82	1.785	0.98	0.86	0.5	0.37
Inductance		mH	27.5	18.21	10.05	12.66	5.37	5.67	3.54	2.43
Mechanical Time Constant		ms	1.21	0.82	1.11		1.14	0.81	0.71	0.81
Electrical Time Constant		ms	5.12	6.55	5.52	7.092	5.48	6.59	7.08	6.57
Weight (standard)		Kg	6.47	10.18	6.47	13.87	6.47	10.18	13.87	10.18
Speed Detector	Optics Encoder(INC: 2000P/R, ABS: 2048P/R)									
Time	Continuous									
Insulation class	B Class (130°C)									
Insulation Voltage	AC 1500V at 1 minute									
Insulation resistance	DC 500V Above 10 MΩ									
Structure	Fully closed									
Shockproofness	Below 2.5G									
Altitude	Under 1000m									
Temperature Humidity	Temperature: 0~40, Humidity: Below 90%RH (No Frosting)									
Temp. Humidity for storage	Temperature: -20 ~60, Humidity: Below 90%RH (No Frosting)									
Color	N 1.5									
Fixing Mode	Flange									

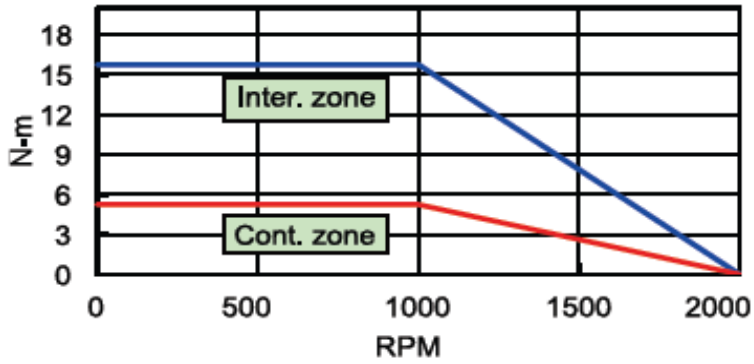
Outline Drawing

Motor Type	With Brake	Without Brake
	L (mm)	L (mm)
VA1305510-SB	217.8	164.8
VA13010010-SB	267.8	214.8
VA13010020-SB	317.8	264.8
VA13015010-SB	217.8	164.8
VA13015030-SB	267.8	214.8
VA13020020-SB	317.8	264.8
VA13030020-SB	217.8	164.8
VA13030030-SB	267.8	214.8

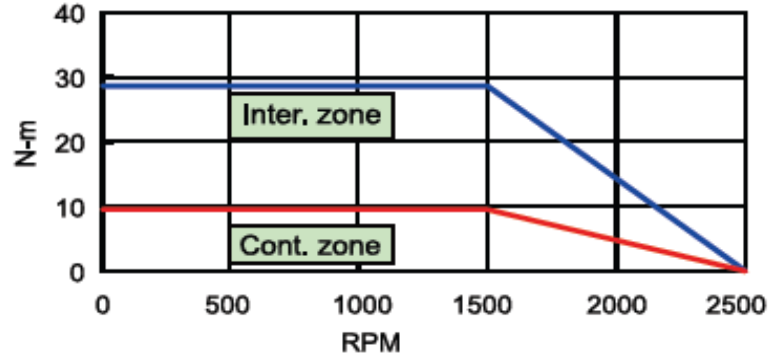




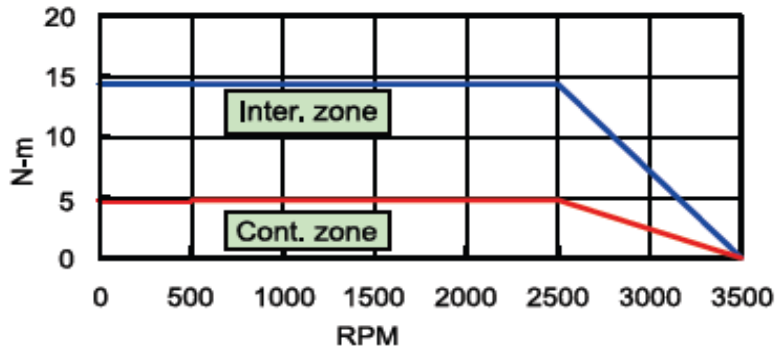
Performance Curve
VA1305510-SB



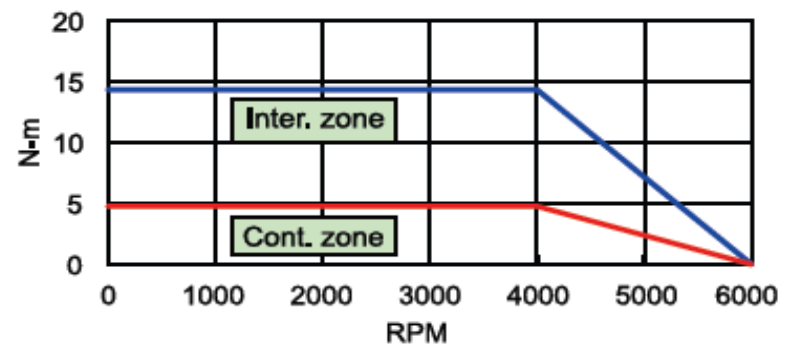
VA13010010-SB



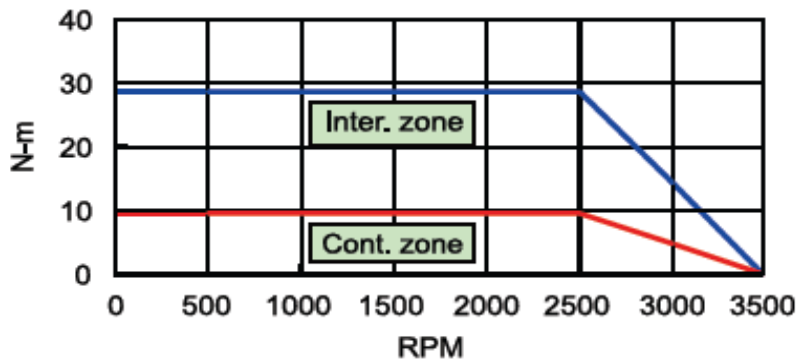
VA13010020-SB



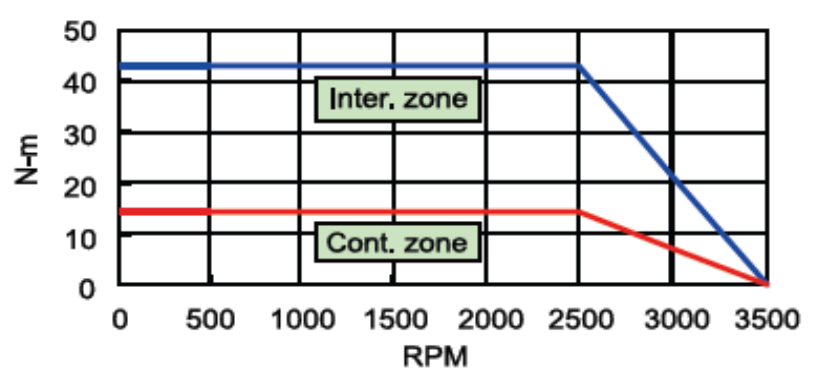
VA13015010-SB



VA13015030-SB



VA13020020-SB



VA13030020-SB

