

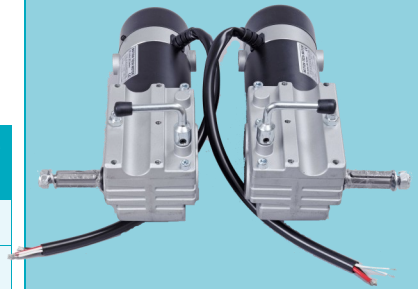
# Power Wheelchair Drive Gearmotor

Wheel Chair Motor

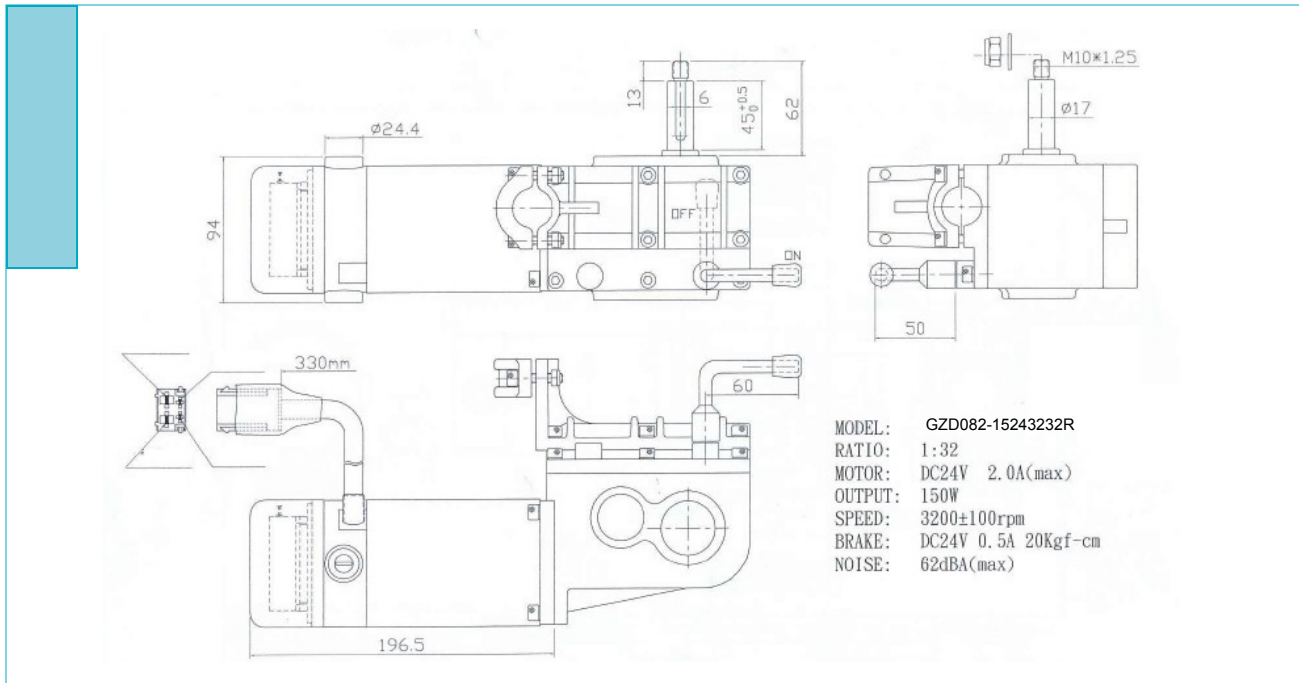
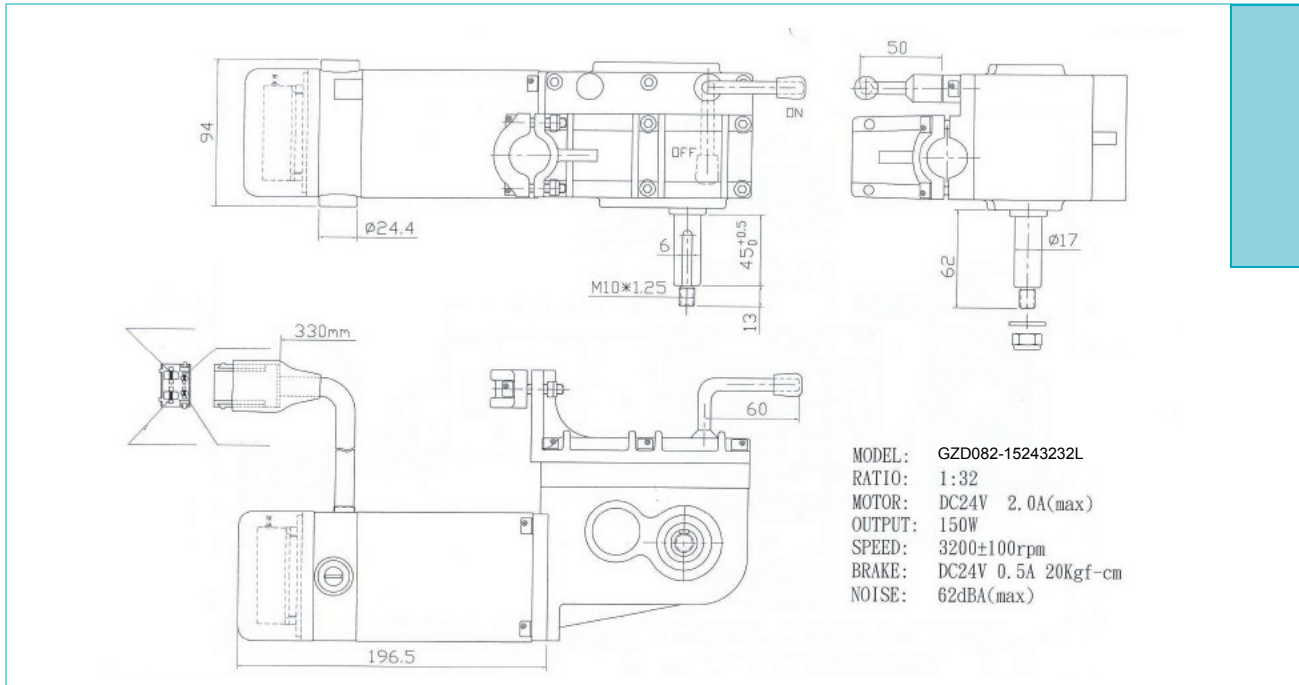
## 150W Wheelchair Gearmotor

### Technical Specification

Voltage	Current	Ratio	Output	Speed	Brake	Noise
V	A		W	RPM		dBA
24	2.0	1:32	150	3200±100	DC 24V 0.5A 20Kgf-cm	62



### Drawing



# Power Wheelchair Drive Gearmotor

## 150W Wheelchair Gearmotor-Single Shaft

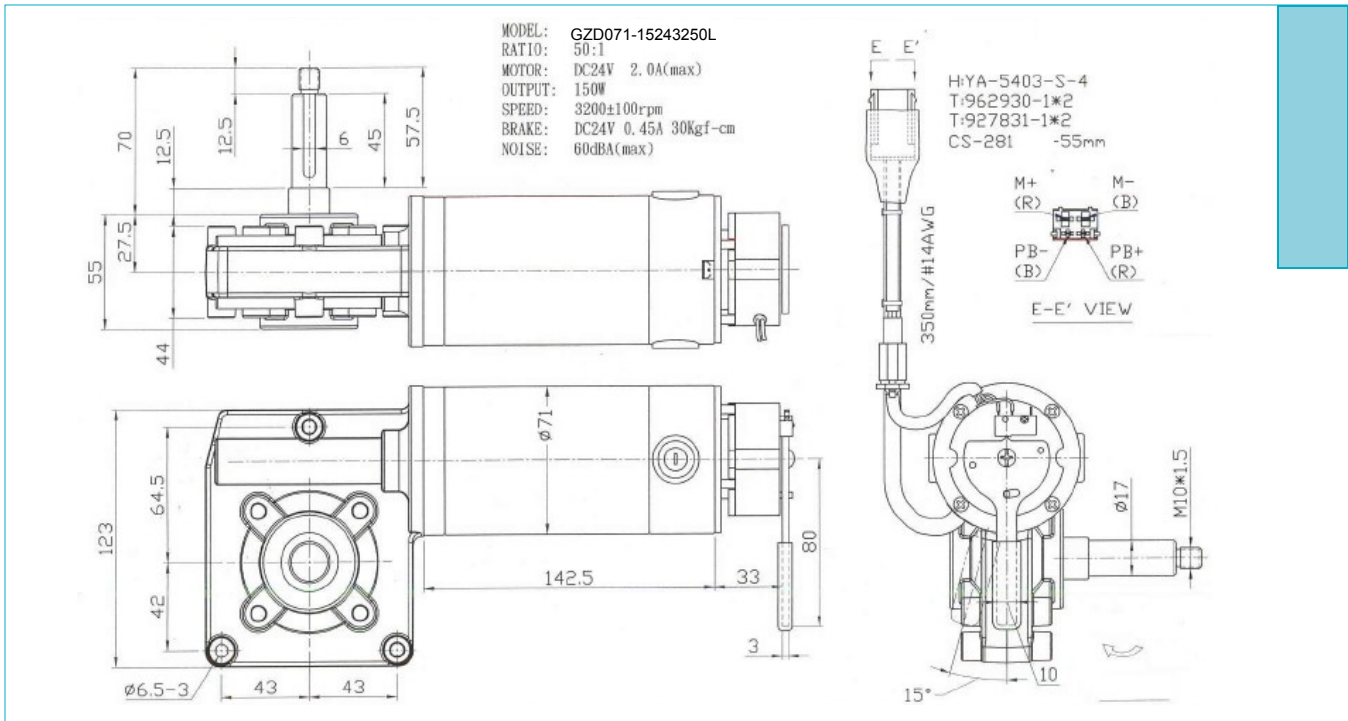
### Technical Specification

Voltage	Current	Ratio	Output Power	Speed	Brake	Noise
V	A		W	RPM		dBA
24	2.0	1:50	150	3200±100	DC 24V 0.45A 30Kgf-cm	60

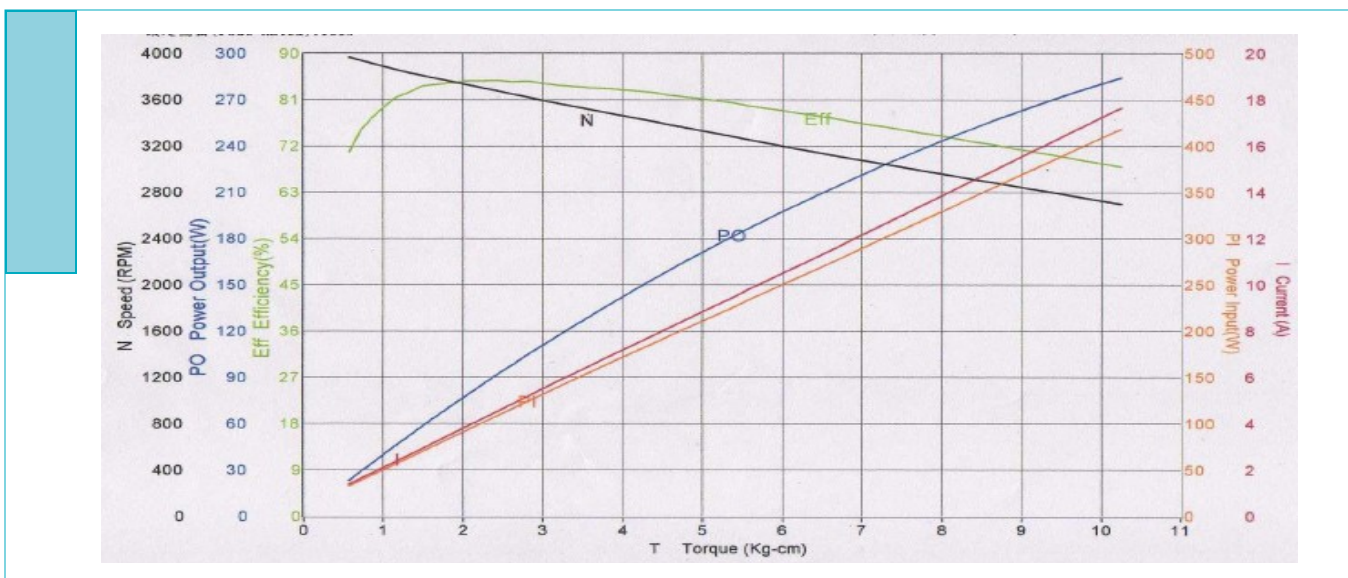


Wheel Chair Motor

### Drawing



### Performance Curve



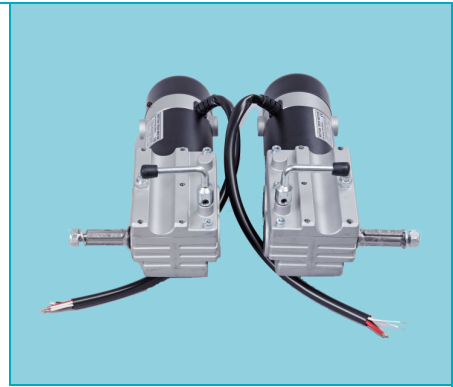
# Power Wheelchair Drive Gearmotor

Wheel Chair Motor

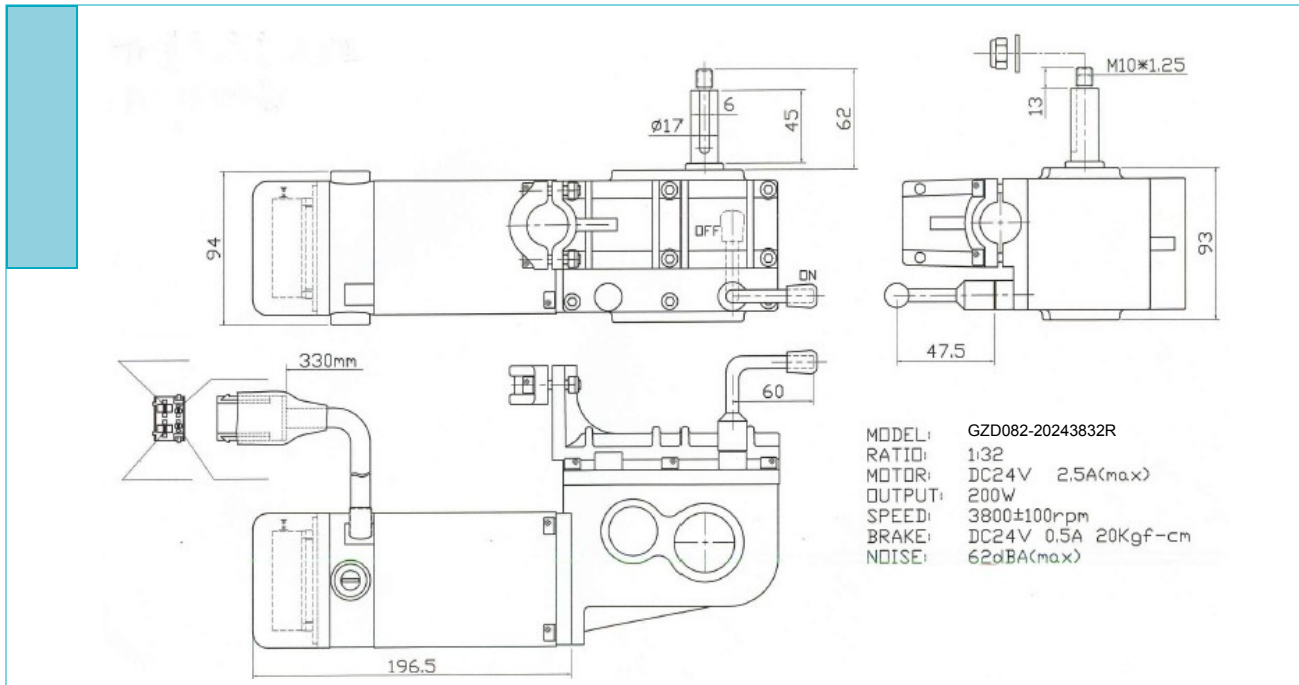
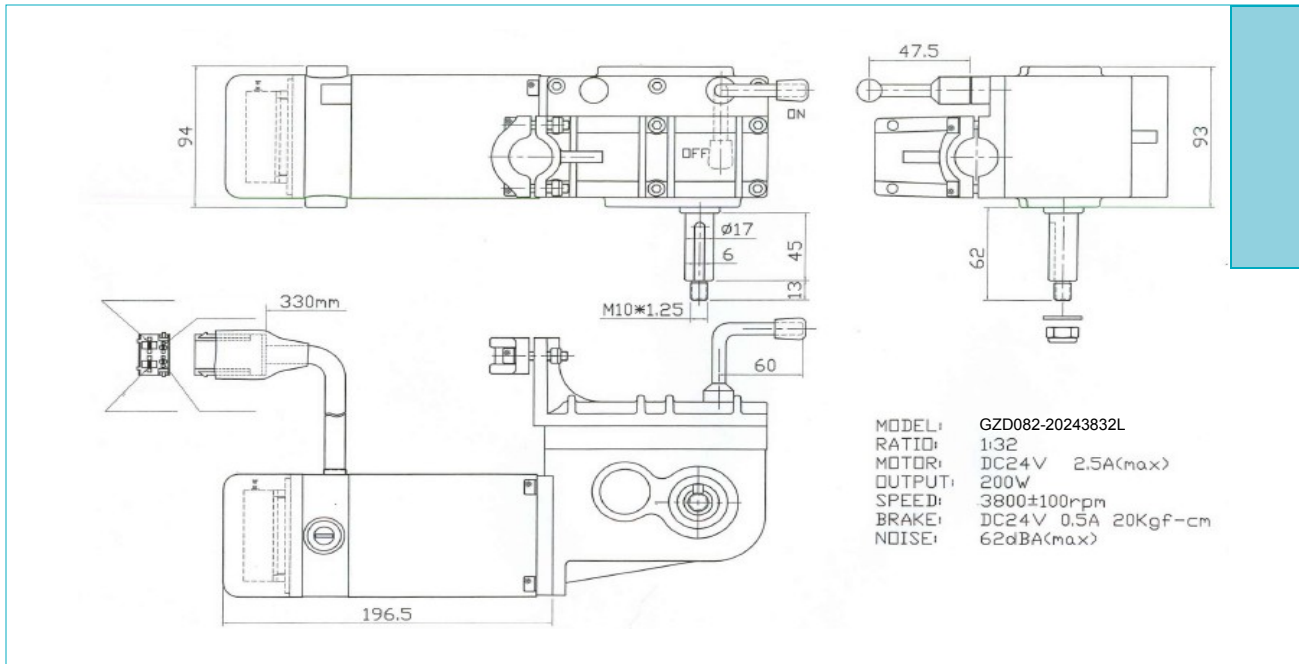
## 180W Wheelchair Gearmotor

### Technical Specification

Voltage	Current	Gear Ratio	Output Power	Speed	Brake	Noise
V	A		W	RPM		dBA
24	2.0	1:32	200	3800±100	DC 24V 0.5A 20Kgf-cm	62



### Drawing



# Power Wheelchair Drive Gearmotor

## 200W Wheelchair Gearmotor

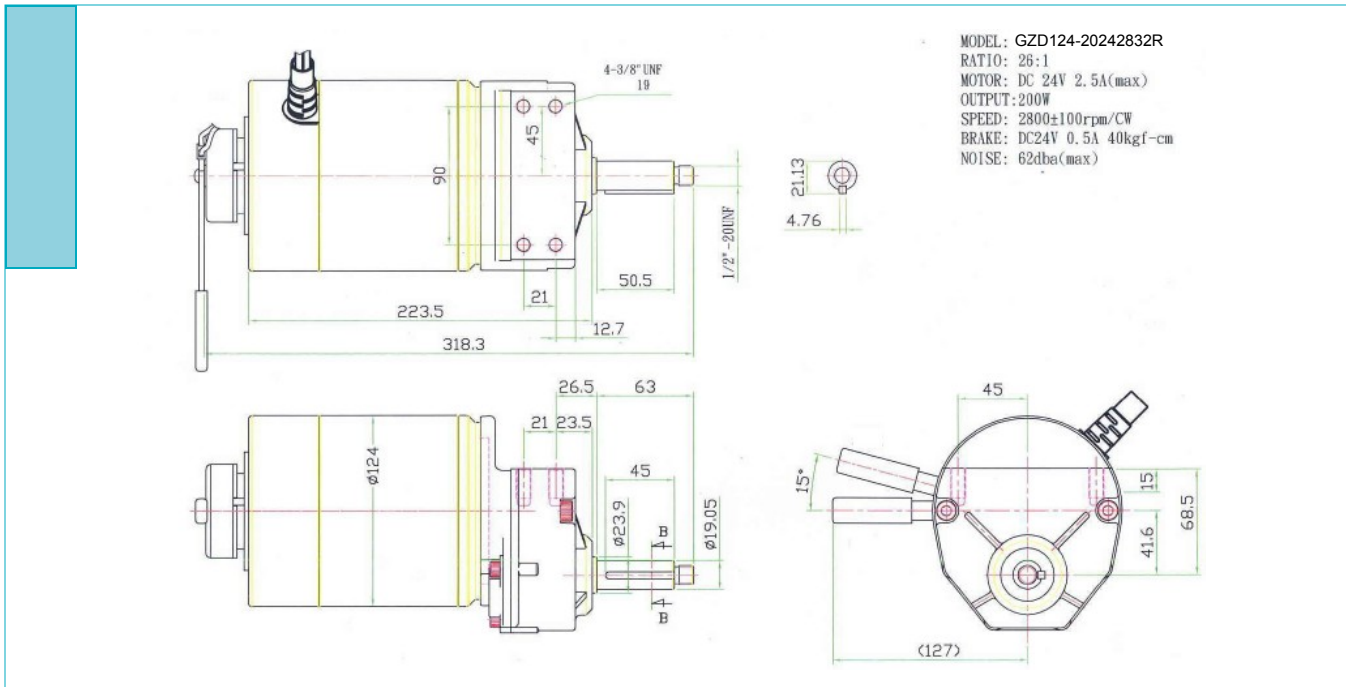
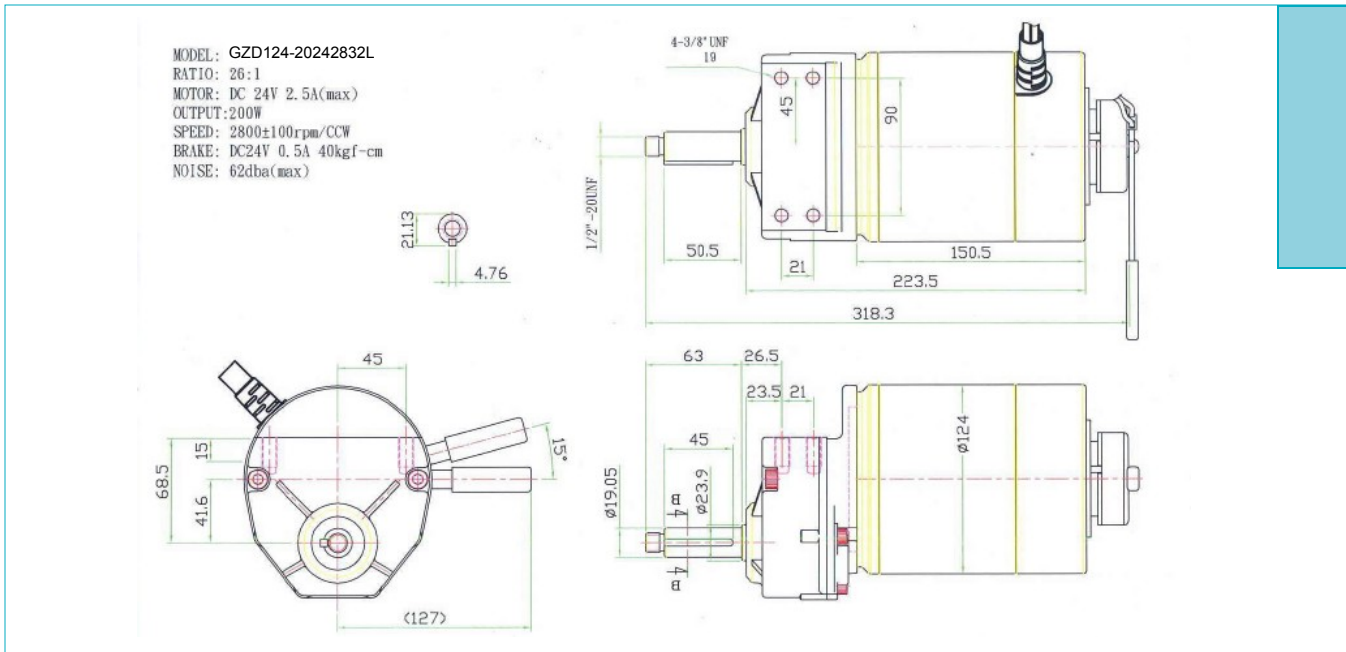
### Technical Specification

Voltage	Current	Ratio	Output Power	Speed	Brake	Noise
V	A		W	RPM		dBA
24	2.5	1:20	200	2800±100	DC 24V 0.5A 40Kgf-cm	62



Wheel Chair Motor

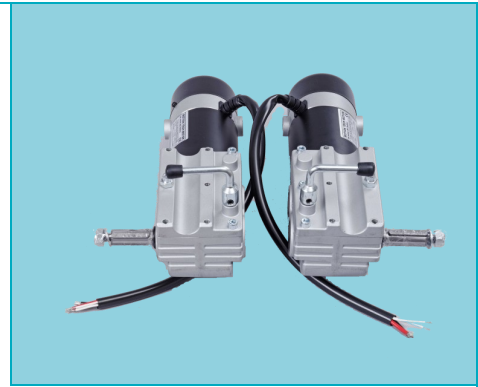
### Drawing



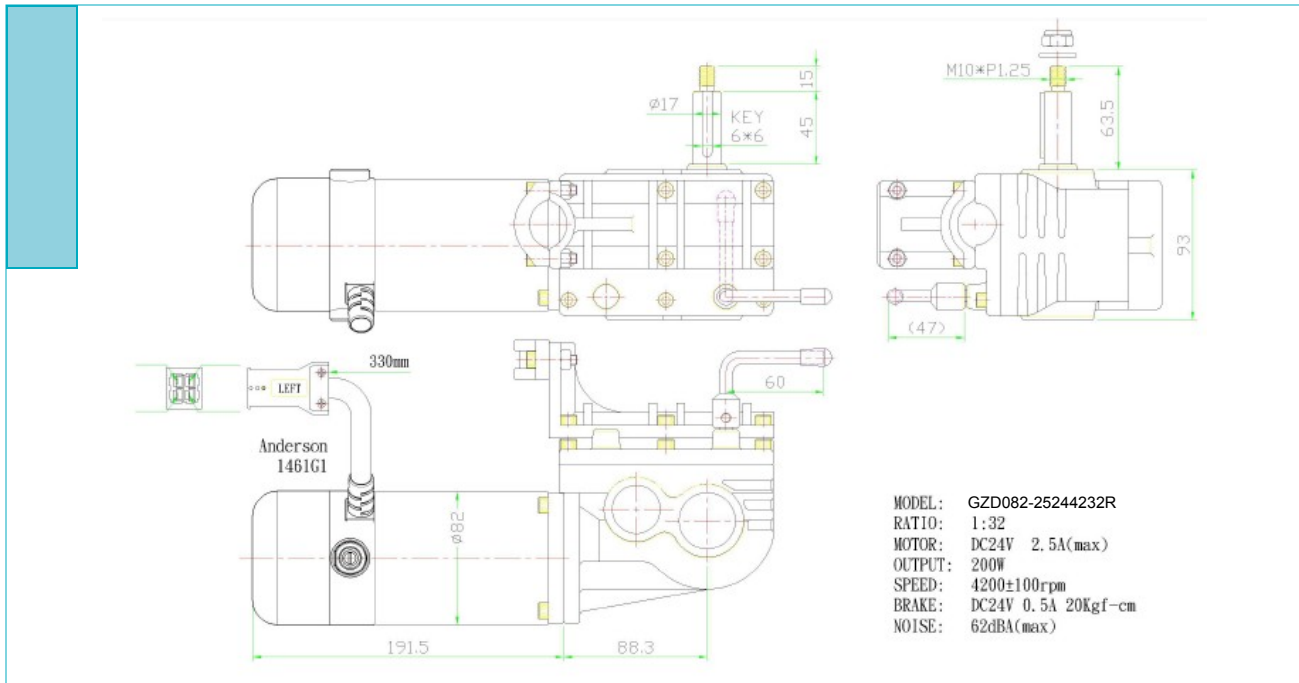
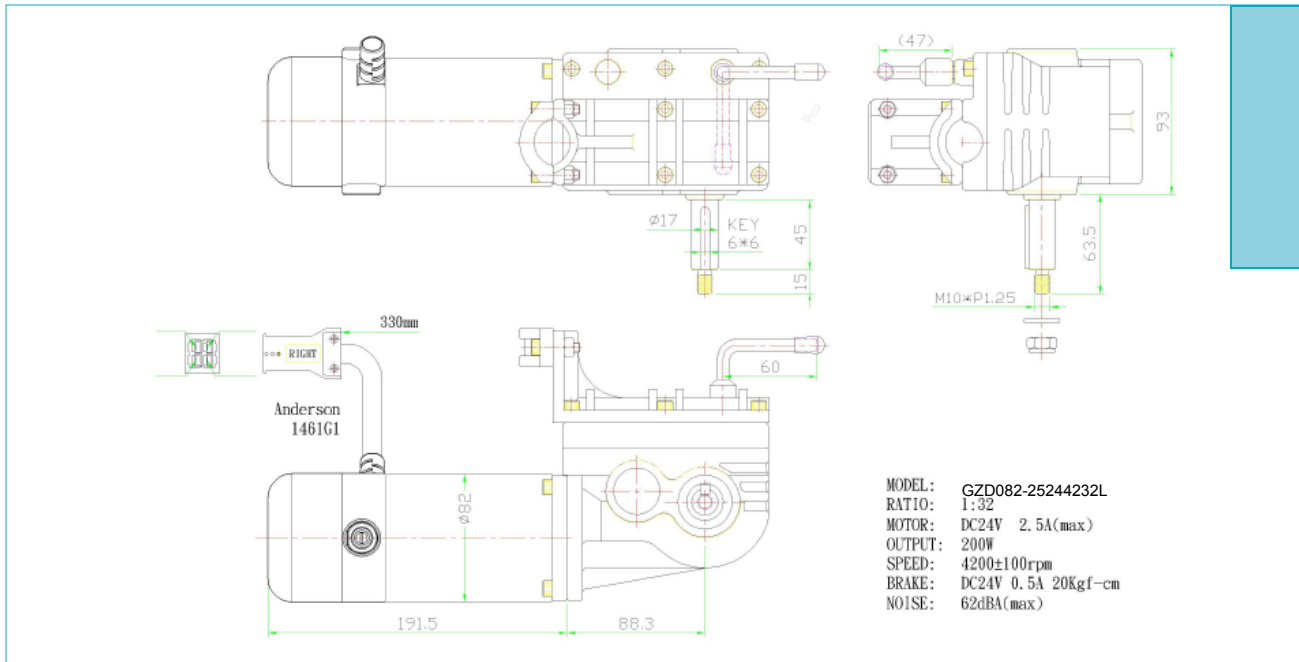
## 250W Wheelchair Gearmotor

### Technical Specification

Voltage	Current	Ratio	Output Power	Speed	Brake	Noise
V	A		W	RPM		dBA
24	2.5	1:32	200	4200±100	DC 24V 0.5A 20Kgf-cm	62



### Drawing



# Power Wheelchair Drive Gearmotor

## 300W Wheelchair Gearmotor

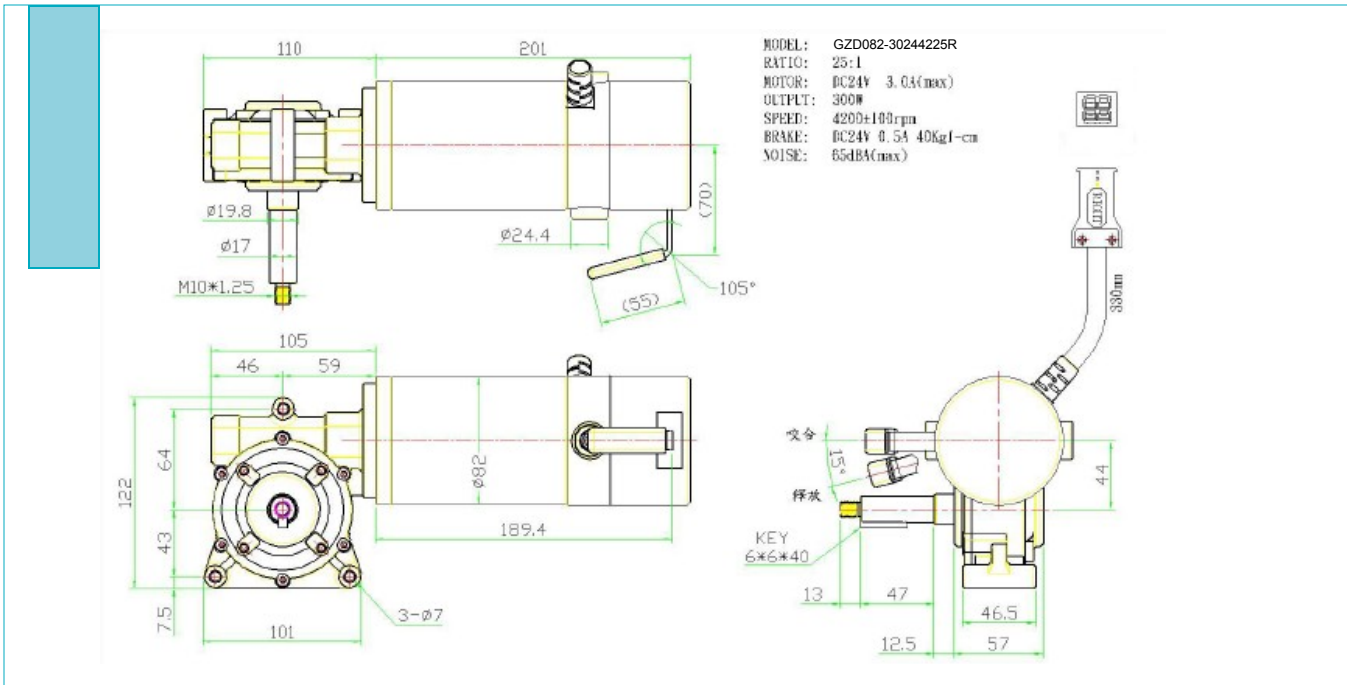
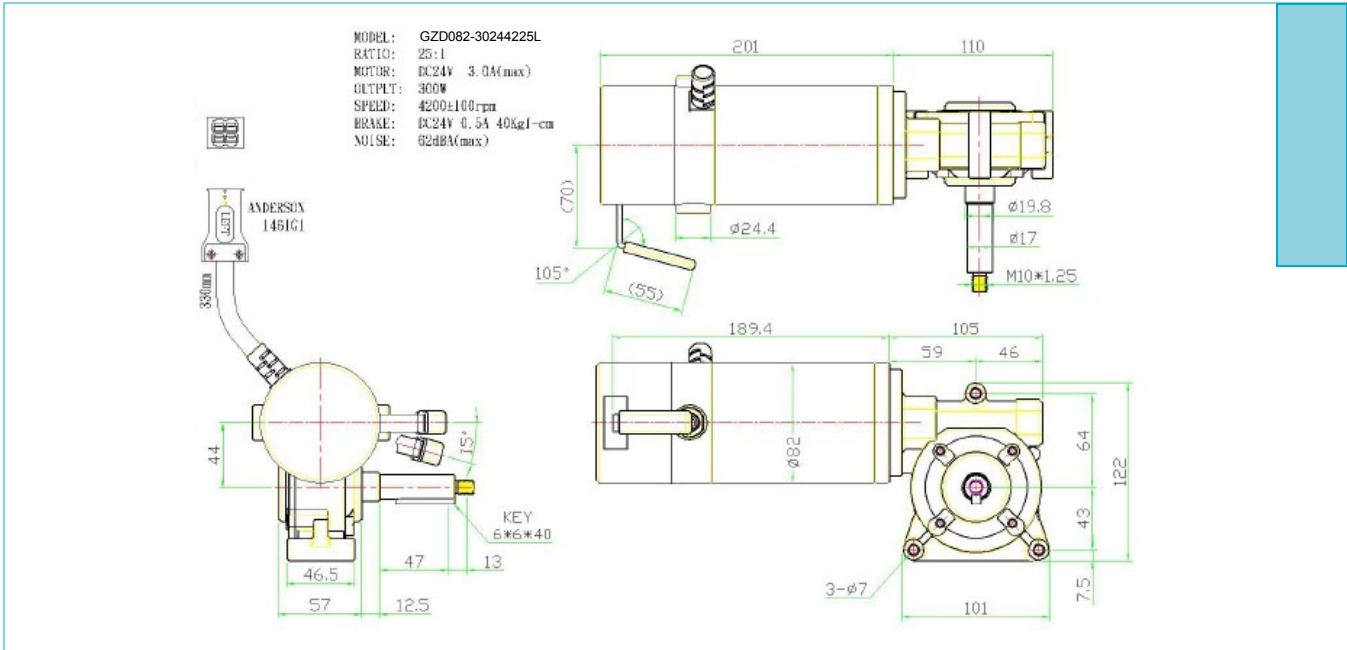
### Technical Specification

Voltage	Current	Ratio	Output Power	Speed	Brake	Noise
V	A		W	RPM		dBA
24	3.0	1:25	300	4200±100	DC 24V 0.5A 40Kgf-cm	65



Wheel Chair Motor

### Drawing



# Power Wheelchair Drive Gearmotor

Wheel Chair Motor

## 300W Wheelchair Gearmotor-Double Shaft

### Technical Specification

Voltage	Current	Ratio	Output Power	Speed	Brake	Noise
V	A		W	RPM		dBA
24	4.5	1:25	300	5300±100	DC 24V 0.5A 30Kgf-cm	62



### Drawing

