

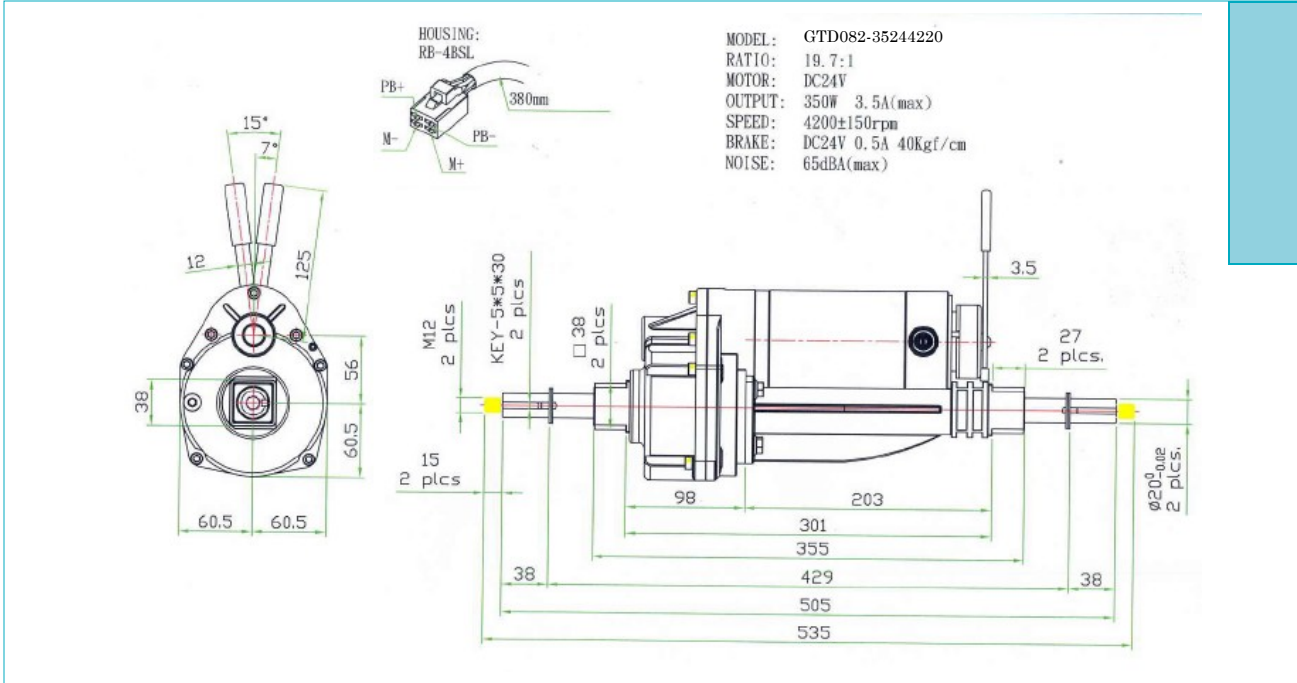
350W Transaxle

Technical Specification

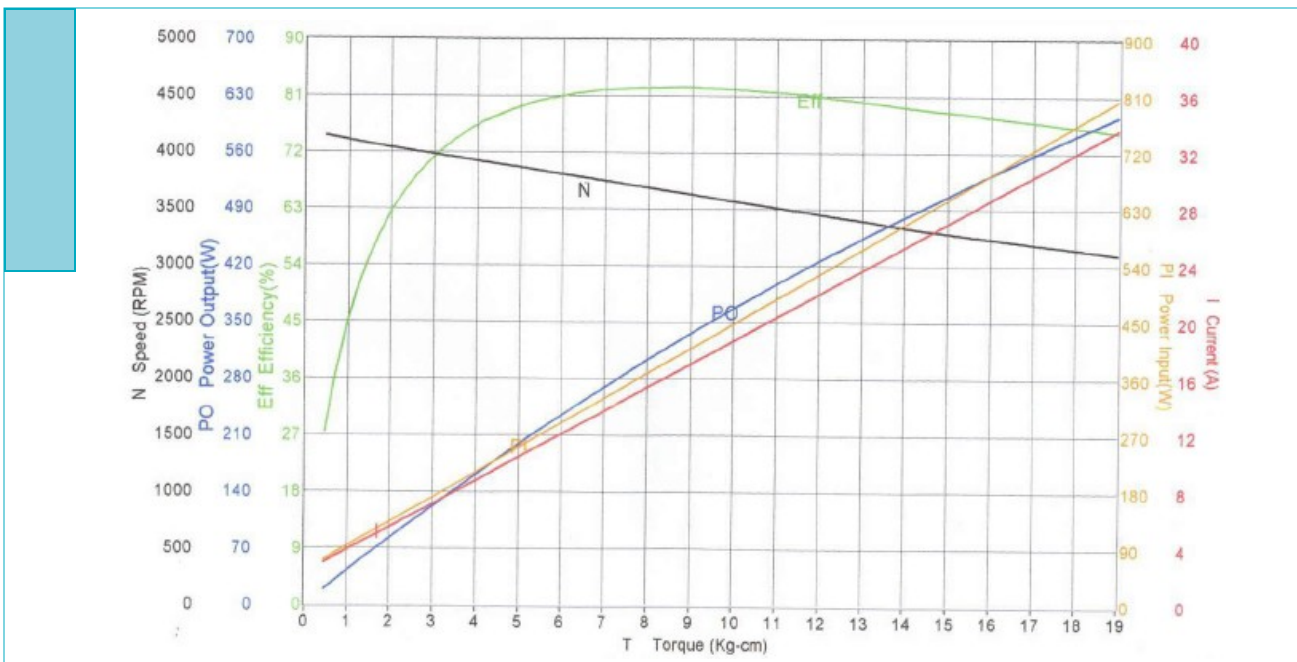
Voltage	Current	Ratio	Output Power	Speed	Brake	Noise
V	A		W	RPM		dBA
24	3.5	1:19.7	350	4200±150	DC 24V 0.5A 40Kgf-cm	65



Drawing



Performance Curve



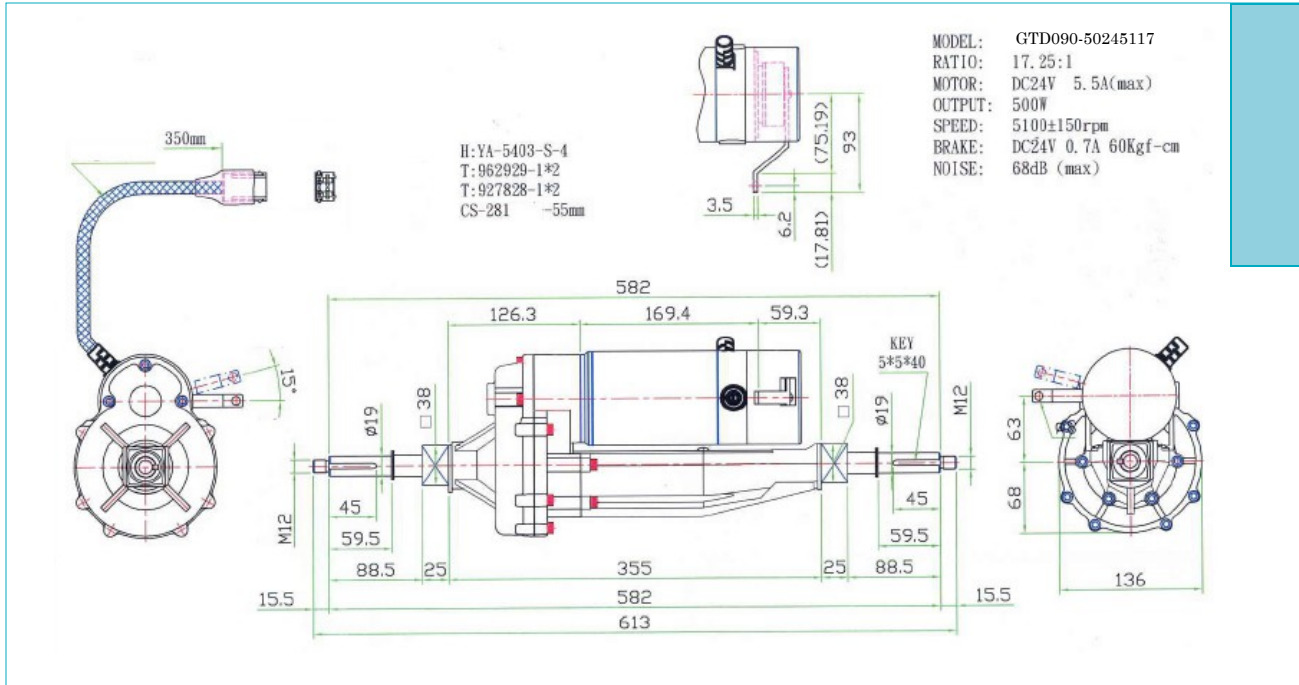
500W Transaxle

Technical Specification

Voltage	Current	Ratio	Output Power	Speed	Brake	Noise
V	A		W	RPM		dBA
24	5.5	1:17.25	500	5100±150	DC 24V 0.7A 60Kgf-cm	68



Drawing



Performance Curve

