

IP 68 Fan

FEATURES

- Frame Size available: 60mm, 80mm, 92mm, 120mm and 172mm (Height: 51mm)
- IP 68 (IEC60529)
- Brushless DC Motor Fan
- Patent Design

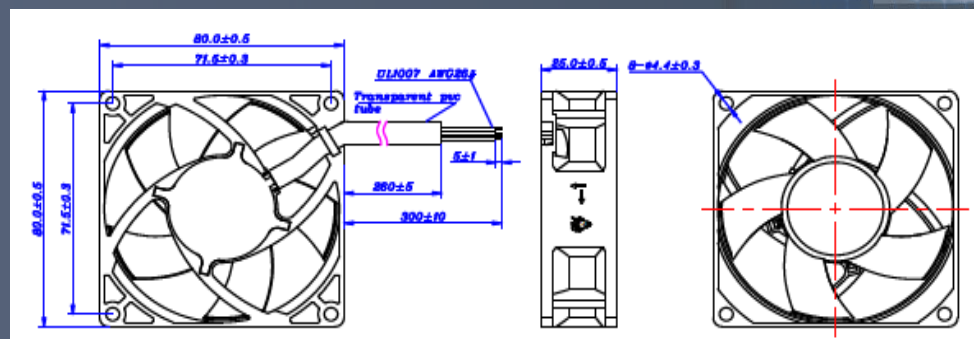
APPLICATIONS

- Solar Panel Inverter,
- Motor driver
- Weather control system
- Windmill
- Wireless Station
- Electric Vehicle

SPECIFICATIONS

Frame Size	Height	Operating Voltage	Max Air flow	Max Air Pressure	Speed	Rated Current	Input Power	Noise	Weight
(mm)	(mm)	(V)	CFM	(inchAq)	(rpm)	(A)	(W)	dB(A)	(g)
60x60	25	12	22.08	0.213	4200	0.17	2.04	33.3	68
80x80	25	12	28.46	0.078	2100	0.12	1.44	23.1	85
80x80	25	12	34.85	0.110	2500	0.15	1.80	29.0	85
80x80	25	12	41.34	0.146	3000	0.24	2.88	33.2	85
80x80	25	12	49.89	0.204	3600	0.39	4.68	37.3	85
80x80	25	12	55.13	0.244	3900	0.42	5.04	39.2	85
92x92	32	12	54.43	0.203	3000	0.20	2.40	36.5	168
120x120	38	24	228	1.97	7500	1.75	42.00	70.0	412

OUTLINE DRAWING



Telco Intercontinental Corp.

9812 Whithorn Dr., Houston TX 77095
 (281)855-2218 hvac@telcointercon.com
 www.telcointercon.com

TELCO
MOTION