

External Actuator

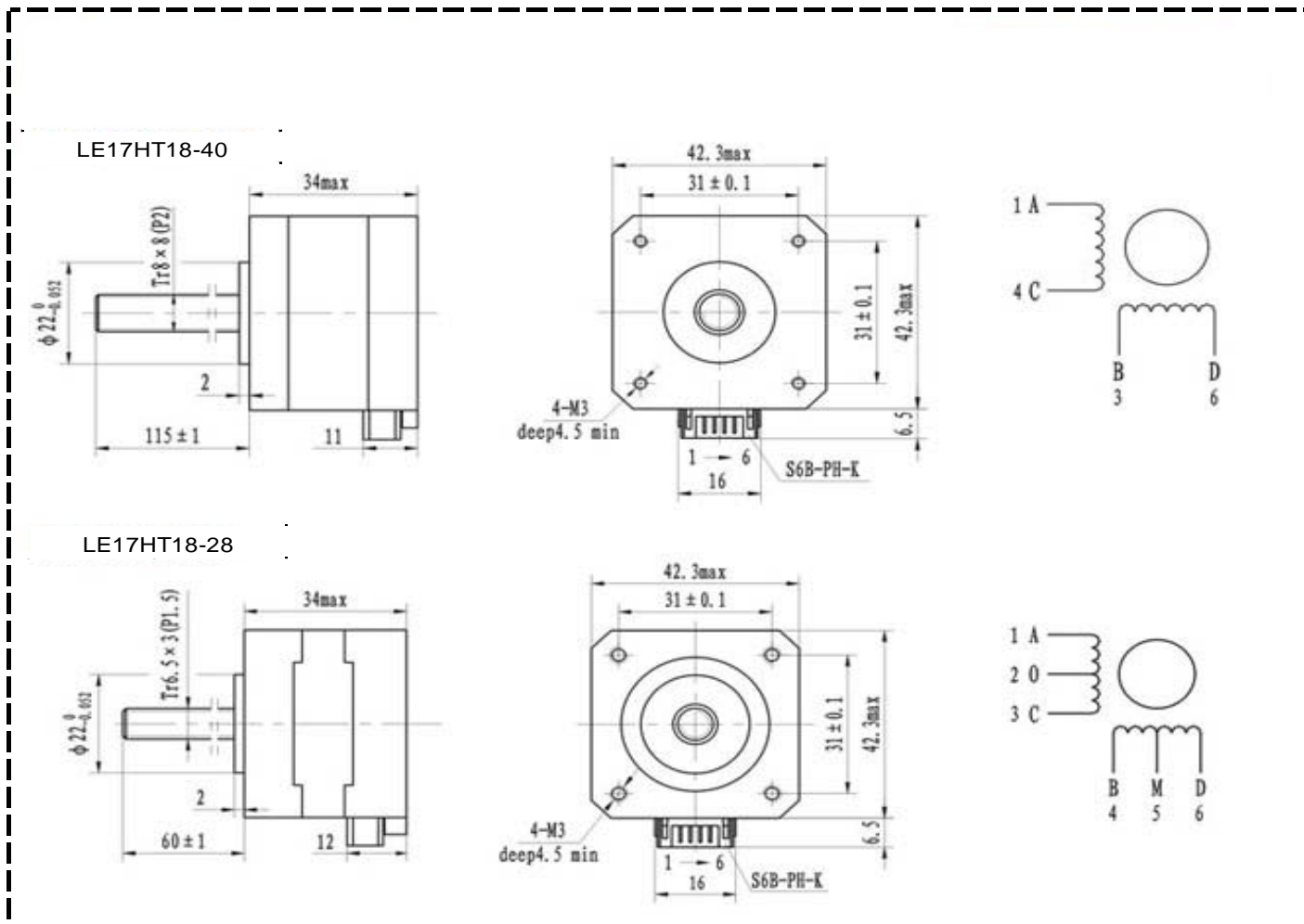


LE17 Series



Specification									
Model	Step Angle	Phase	Step Length	Rated Current	Resistance	Inductance	Detent Torque	Rotor Inertia	Motor Mass
			mm	A	Ω	mH	mN.m	g.cm ²	g
LE17HT18-40	1.8°	2	0.04	0.4	30	37	12	38	0.2
LE17HT18-28	1.8°	4	0.015	0.28	44	21	12	38	0.2

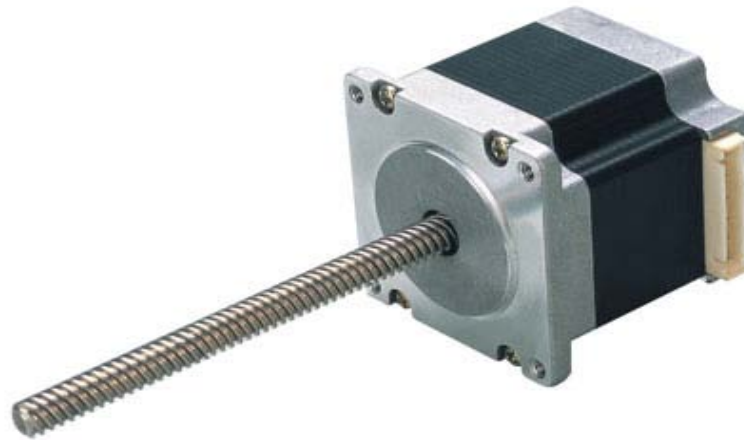
Outline Drawing



External Actuator



LE23 Series



Specification

Model	Step Angle	Phase	Step Length	Rated Current	Resistance	Inductance	Detent Torque	Rotor Inertia	Motor Mass
			mm	A	Ω	mH	mN.m	g.cm ²	g
LE23HT18-50	1.8°	2	0.04	0.5	12	20	55	135	0.42
LE23HT18-100	1.8°	4	0.02	1	5	5	55	135	0.42

Outline Drawing

