

Shaded Pole AC Motor



Lamination Dimension 48x48

Technical Data	
Voltage Range	100-240VAC
Insulation Class	A/E/B/F/H
Life Time	3000 Hours Min
Stack Height	8~25mm
Lamination Dimension	48x48mm

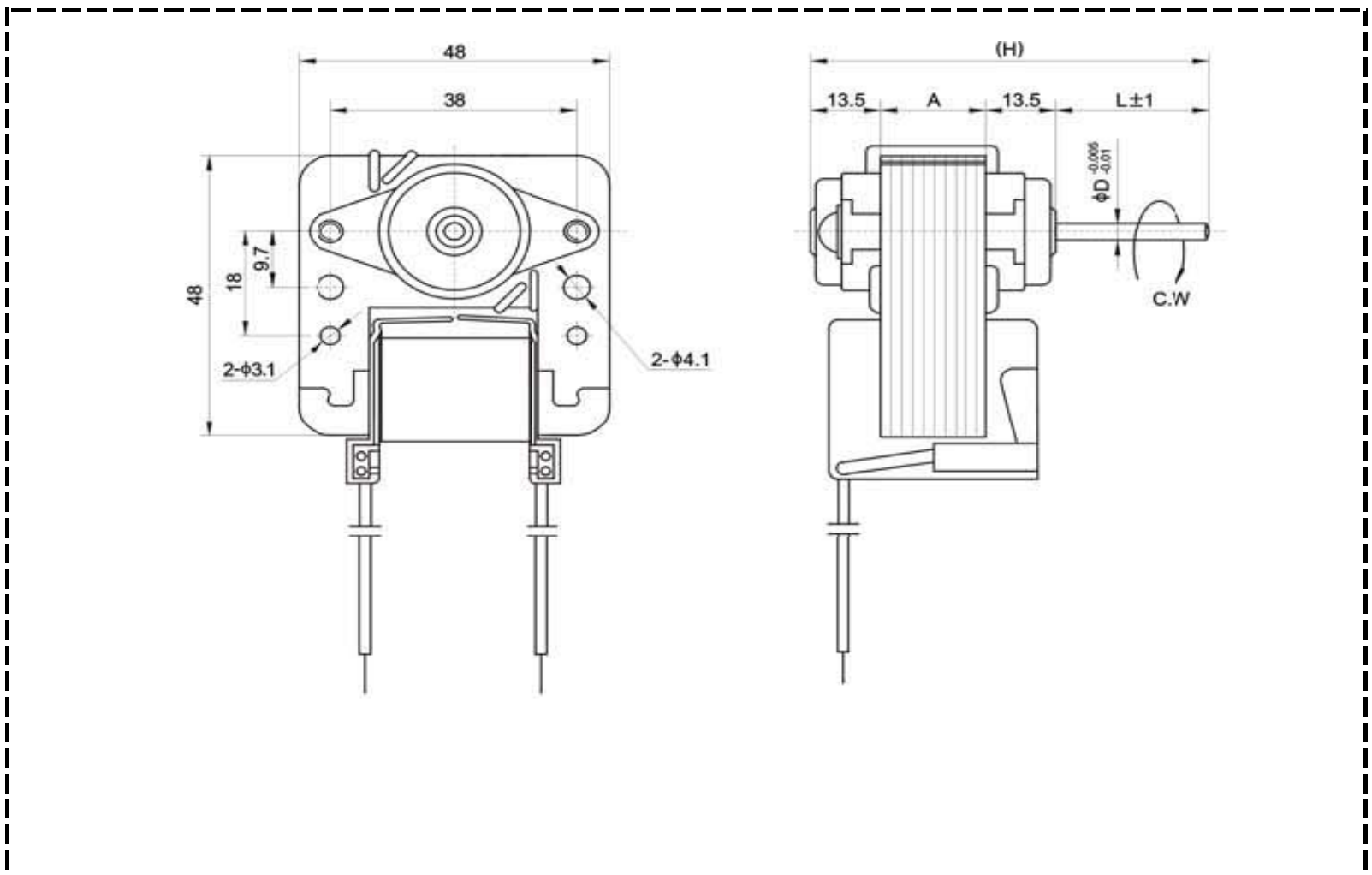
Typical Application
Humidifier
Fan-heater
Baking Oven
Air-conditioner
Water Dispenser



Specification

Model	Voltage (A)	Frequency (Hz)	Free Load			On Load				Max. Torque (mN.m)	Start Torque (mN.m)	Output Power (W)
			Current	Power	Speed	Current	Power	Speed	Torque			
			(A)	(W)	(Rpm)	(A)	(W)	(Rpm)	mN.m			
AC4808-35	220	50	0.086	8	2673	0.091	10.2	2155	4.90	5.88	3.92	
AC4810-35	220	50	0.088	9	2670	0.089	10.8	2100	4.51	6.37	3.73	
AC4812-35	220	50	0.086	8	2673	0.091	10.2	2155	4.90	5.88	3.92	
AC4816-35	230	50	0.092	9	2858	0.098	11.5	2268	7.85	9.81	4.90	
AC4820-35	220	50	0.079	8	2876	0.089	11.0	2322	8.83	10.10	5.88	
AC4825-35	230	50	0.170	17	2876	0.181	21.5	2462	13.73	17.65	12.26	

Outline Drawing



Dimensions				
Model	A (mm)	H (mm)	L (mm)	D (mm)
AC4808-35	8.0	74.0	28.0	4.0
AC4810-35	10.0	76.0	28.0	4.0
AC4812-35	12.0	78.0	28.0	4.0
AC4816-35	16.0	74.0	20.0	4.0
AC4820-35	20.0	78.0	20.0	4.0
AC4825-35	25.0	83.0	20.0	4.0



9812 Whithorn Dr., Houston, TX 77095, Phone: 281.855.2218, Fax: 281.859.8825, Email: motors@telcointercon.com