

Shaded Pole AC Motor



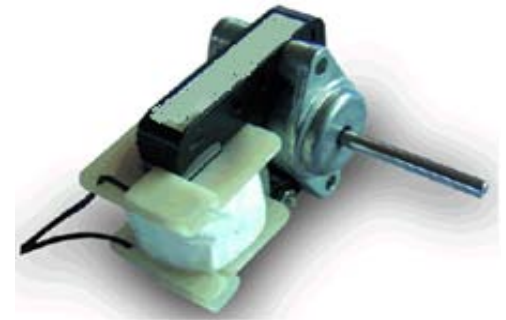
Lamination Dimension 48x50

Technical Data

Voltage Range	100-240VAC
Insulation Class	A/E/B/F/H
Rotating Direction	CCW/CW
Working Standard	Continues
Lamination Dimension	48x50mm

Typical Application

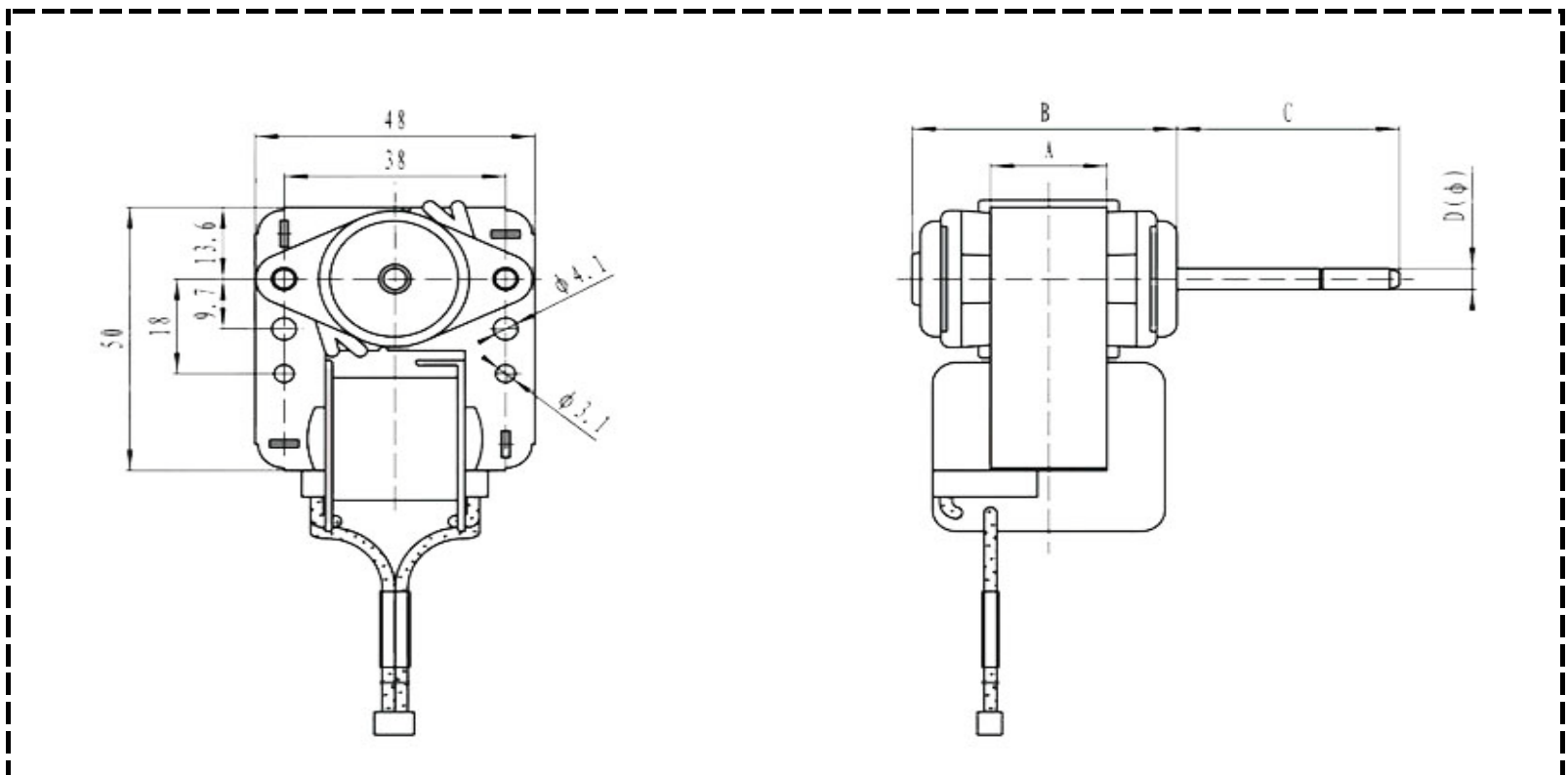
Humidifer
Medical Devices
Water Pumps
Warmers
Cooling Blowers



Specification

Model	Voltage (A)	Frequency (Hz)	Free Load			On Load				Max. Toruqe (mN.m)	Start Torque (mN.m)	Output Power (W)
			Current	Power	Speed	Current	Power	Speed	Torque			
			(A)	(W)	(Rpm)	(A)	(W)	(Rpm)	(mN.m)			
AC4808-35	220	50	0.08	6	2800	0.09	7.2	2100	2.3			0.35
AC4810-35	220	50	0.09	6.5	2800	0.1	7.5	2100	2.45			0.4
AC4812-35	220	50	0.09	9	2820	0.11	10.5	2150	2.94			0.7
AC4814-35	220	50	0.11	11	2820	0.12	13	2200	3.43			0.8
AC4816-35	220	50	0.12	13.5	2830	0.14	15.5	2250	3.92			1
AC4820-35	220	50	0.14	15	2830	0.15	19	2400	5.39			1.4
AC4808-16	120	60	0.1	5	3400	0.11	5.5	2600	2.3			0.4
AC4810-16	120	60	0.11	6	3400	0.12	6	2600	2.45			0.5
AC4812-16	120	60	0.13	8	3400	0.13	7.5	2600	2.94			0.7
AC4814-16	120	60	0.13	11	3400	0.14	10.5	2600	3.43			0.8
AC4816-16	120	60	0.14	13	3400	0.15	13	2600	3.92			1
AC4820-16	120	60	0.14	14	3400	0.15	15.5	2600	5.39			1.4

Outline Drawing



Dimensions

Model	A (mm)	B (mm)	C (mm)	D (mm)
AC4808-35	8	33	10mm~100mm	Φ2.5 Φ3.17 Φ4.0
AC4810-35	10	35		
AC4812-35	12	37		
AC4814-35	14	39		
AC4816-35	15	41		
AC4820-35	20	45		
AC4808-16	8	33	10mm~100mm	Φ2.5 Φ3.17 Φ4.0
AC4810-16	10	35		
AC4812-16	12	37		
AC4814-16	14	39		
AC4816-16	16	41		
AC4820-16	20	45		

