

Shaded Pole AC Motor



Lamination Dimension 55x54

Technical Data	
Voltage Range	100-240VAC
Insulation Class	A/E/B/F/H
Rotating Direction	CCW/CW
Working Standard	Continues
Lamination Dimension	48x50mm

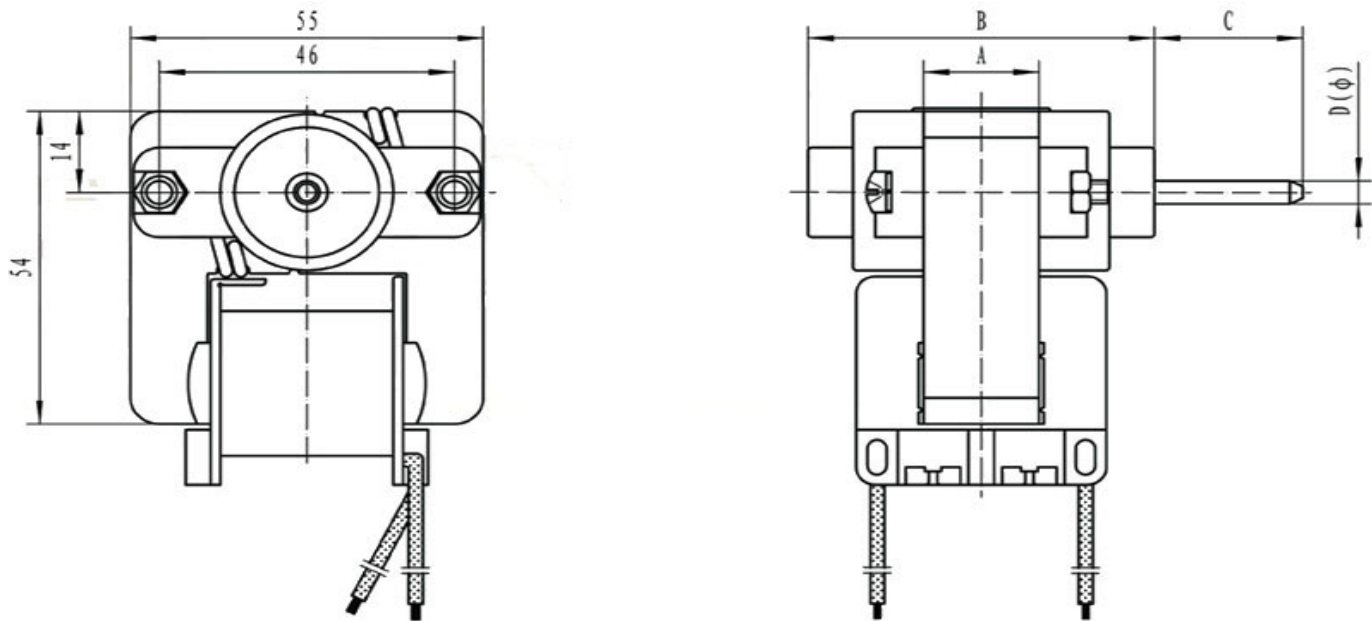
Typical Application
Cooling Instruments
Cooling Meters



Specification

Model	Voltage (A)	Frequency (Hz)	Free Load			On Load				Max. Toruqe (mN.m)	Start Torque (mN.m)	Output Power (W)
			Current	Power	Speed	Current	Power	Speed	Torque			
			(A)	(W)	(Rpm)	(A)	(W)	(Rpm)	(mN.m)			
AC5518-35	220	50	0.09	11	2800	0.12	12.5	2300	8.82			2.2
AC5524-35	220	50	0.17	18	2830	0.19	23	2400	14.70			3.8
AC5518-15	120	50	0.10	10	3400	0.11	12	2700	8.90			2.3
AC5524-15	120	50	0.19	17	3400	0.20	22	2700	14.80			3.8

Outline Drawing



Dimensions				
Model	A (mm)	B (mm)	C (mm)	D (mm)
AC5518-35	18	32	10mm~100mm	Φ2.5, Φ3.17, Φ4.0
AC5524-35	24	39		
AC5518-15	18	32	10mm~100mm	Φ2.5, Φ3.17, Φ4.0
AC5524-15	24	39		

