

Shaded Pole AC Motor



Lamination Dimension 60.5x63.4

Technical Data

Voltage Range	100-240VAC
Insulation Class	A/E/B/F/H
Life Time	3000 Hours Min
Stack Height	14~14mm
Lamination Dimension	60.5 x 63.64mm

Typical Application

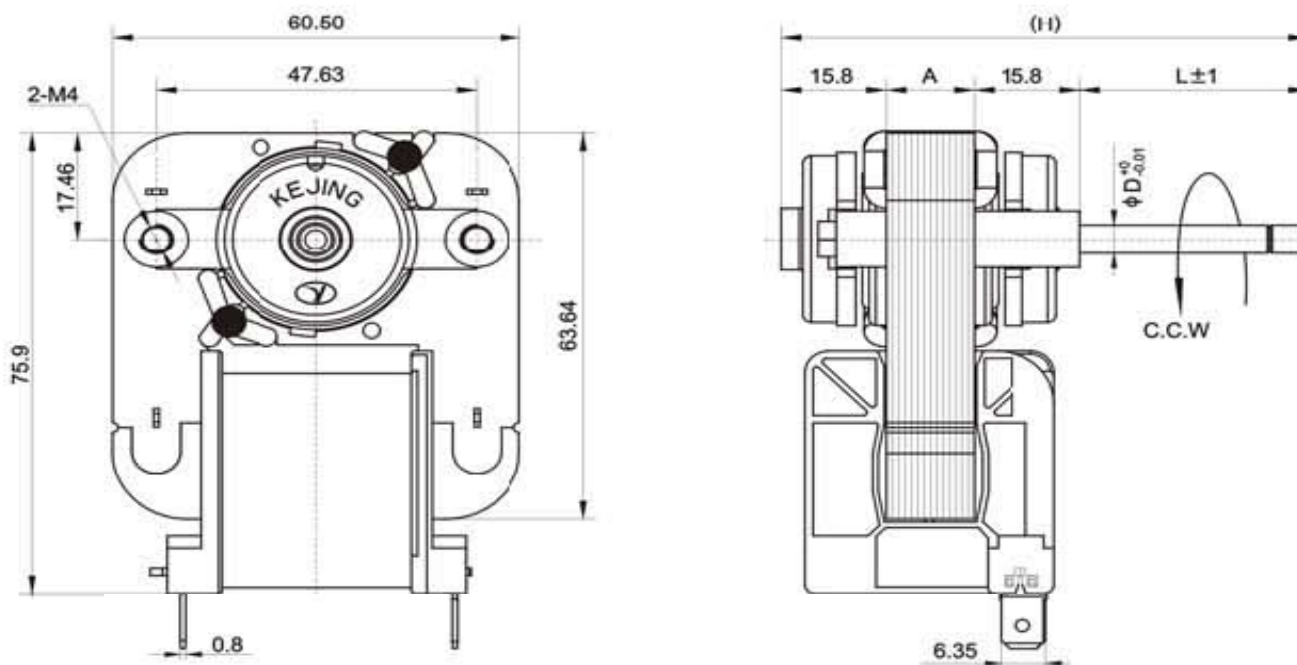
Refrigerator



Specification

Model	Voltage (A)	Frequency (Hz)	Free Load			On Load				Max. Torque (mN.m)	Start Torque (mN.m)	Output Power (W)
			Current	Power	Speed	Current	Power	Speed	Torque			
			(A)	(W)	(Rpm)	(A)	(W)	(Rpm)	mN.m			
AC6010-16	120	60	0.128	6.9	3470	0.145	9.6	2785	5.88	6.57	5.39	
AC6013-16	120	60	0.138	7.7	3445	0.155	10.5	2818	7.85	9.41	5.39	
AC6014-15	120	50	0.085	9.1	2970	0.096	12.6	2346	11.77	13.24	8.83	

Outline Drawing



Dimensions				
Model	A (mm)	H (mm)	L (mm)	D (mm)
AC6010-16	10.0	69.6	28.0	3.17
AC6013-16	12.5	77.9	33.8	4.76
AC6014-15	13.0	78.4	33.3	4.76

