

Shaded Pole AC Motor



Lamination Dimension 61x60.5

Technical Data

Voltage Range	100-240VAC
Insulation Class	A/E/B/F/H
Life Time	3000 Hours Min
Stack Height	8~40mm
Lamination Dimension	61x 60.5mm

Typical Application

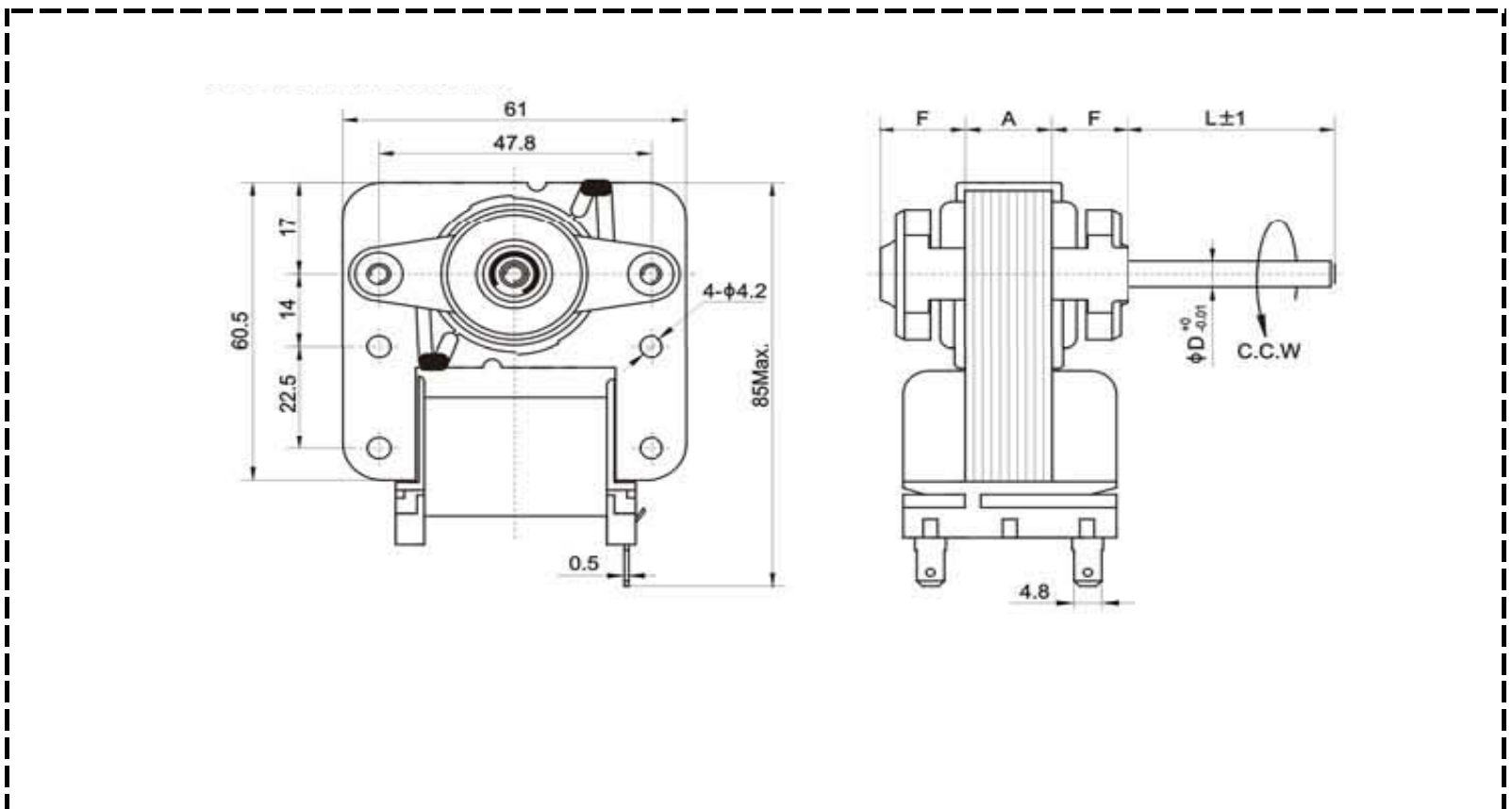
Humidifier
Massager
Can Opener
Fan-heater



Specification

Model	Voltage (A)	Frequency (Hz)	Free Load			On Load				Max. Torque (mN.m)	Start Torque (mN.m)	Output Power (W)
			Current (A)	Power (W)	Speed (Rpm)	Current (A)	Power (W)	Speed (Rpm)	Torque (mN.m)			
			AC6108-35	220	50	0.150	14	2876	0.157	16.1	2236	5.88
AC6110-35	220	50	0.100	10	2947	0.109	13.5	2425	9.81	10.59	4.90	
AC6112-35	220	50	0.181	14	2929	0.186	18.2	2461	13.73	17.65	10.30	
AC6114-16	115	60	0.495	23	3226	0.501	27.4	2526	14.22	19.12	10.79	
AC6115-35	220	50	0.191	17	2889	0.203	22.6	2460	19.61	22.06	11.78	
AC6116-16	120	60	0.524	24	3435	0.564	31.9	2827	21.57	25.50	11.78	
AC6120-35	230	50	0.417	20	2672	0.424	27.7	2250	23.54	27.46	11.78	
AC6125-16	120	60	0.484	27	3442	0.557	36.4	2911	27.46	33.34	15.69	
AC6130-45	240	50	0.704	58	2883	0.741	77.2	2341	58.84	70.61	37.27	
AC6135-16	120	60	0.753	42	3454	0.854	57.4	3023	47.07	53.94	27.46	
AC6140-35	230	50	0.571	55	2928	0.644	75.2	2550	76.49	83.36	44.13	

Outline Drawing



Dimensions				
Model	A (mm)	H (mm)	L (mm)	D (mm)
AC6108-35	8.0	45.5	11.2	2.5
AC6110-35	9.5	22.0	11.2	3.2
AC6112-35	12.0	35.0	13.7	3.2
AC6114-16	14.0	20.0	15.6	4.6
AC6115-35	15.0	17.8	16.5	4.6
AC6116-16	16.0	31.0	16.5	4.6
AC6120-35	20.0	48.5	12.0	5.0
AC6125-16	25.0	17.0	13.5	5.0
AC6130-45	30.0	116.5	16.5	6.0
AC6135-16	35.0	25.0	13.7	5.5
AC6140-35	40.0	20.0	14.0	6.4

