

# Shaded Pole AC Motor



Lamination Dimension 60.5x62.5

## Technical Data

|                      |                |
|----------------------|----------------|
| Voltage Range        | 100-240VAC     |
| Insulation Class     | B/F/H          |
| Life Time            | 3000 Hours Min |
| Stack Height         | 9~25mm         |
| Lamination Dimension | 62.5 x 60.5mm  |

## Typical Application

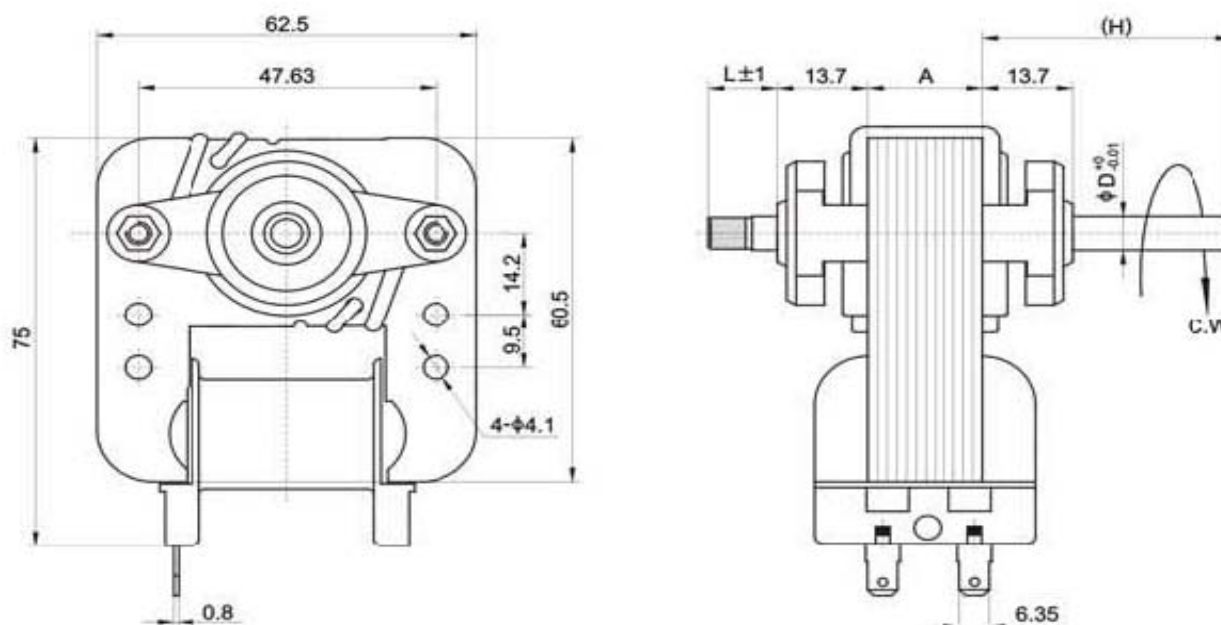
|                   |
|-------------------|
| Microwave Ovens   |
| Fan-heater        |
| Air Purifier      |
| Vaccum Pump       |
| Medical Nebulizer |



## Specification

| Model     | Voltage (A) | Frequency (Hz) | Free Load |       |       | On Load |       |       |        | Max. Toruqe (mN.m) | Start Torque (mN.m) | Output Power (W) |
|-----------|-------------|----------------|-----------|-------|-------|---------|-------|-------|--------|--------------------|---------------------|------------------|
|           |             |                | Current   | Power | Speed | Current | Power | Speed | Torque |                    |                     |                  |
|           |             |                | (A)       | (W)   | (Rpm) | (A)     | (W)   | (Rpm) | mN.m   |                    |                     |                  |
| AC6209-15 | 100         | 50             | 0.288     | 12.4  | 2909  | 0.3     | 16.9  | 2383  | 9.81   | 12.94              | 5.39                |                  |
| AC6225-35 | 220         | 50             | 0.280     | 27.4  | 2786  | 0.323   | 39.3  | 2238  | 31.38  | 33.34              | 13.73               |                  |

## Outline Drawing



| Dimensions |        |        |        |        |
|------------|--------|--------|--------|--------|
| Model      | A (mm) | H (mm) | L (mm) | D (mm) |
| AC6209-15  | 9.0    | 45.5   | 12.0   | 2.5    |
| AC6225-35  | 25.5   | 30.5   | 12.0   | 5.0    |

