

# Shaded Pole AC Motor



Lamination Dimension 62.5x62.5

Technical Data	
Voltage Range	100-240VAC
Insulation Class	B/F/H
Life Time	3000 Hours Min
Stack Height	30~35mm
Lamination Dimension	62.5 x 62.5mm

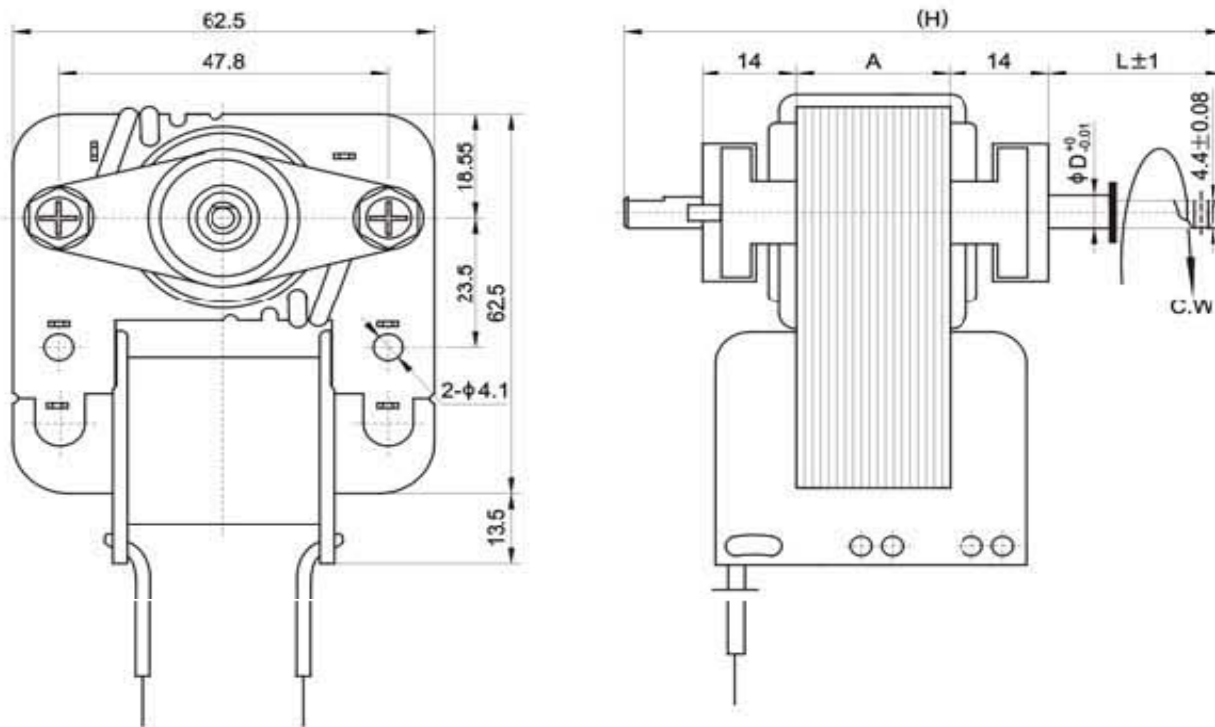
Typical Application
Massager
Can Opener
Exhaust Fan
Vacuum Pump
Medical Nebulizer



## Specification

Model	Voltage (A)	Frequency (Hz)	Free Load			On Load				Max. Torque (mN.m)	Start Torque (mN.m)	Output Power (W)
			Current (A)	Power (W)	Speed (Rpm)	Current (A)	Power (W)	Speed (Rpm)	Torque (mN.m)			
			(A)	(W)	(Rpm)	(A)	(W)	(Rpm)	mN.m			
AC6230-16	120	60	1.070	48.9	3524	1.245	74.5	2965	68.65	76.49	34.32	
AC6235-35	230	50	0.571	55.0	2928	0.644	75.2	2550	76.49	83.36	44.13	

## Outline Drawing



Dimensions				
Model	A (mm)	H (mm)	L (mm)	D (mm)
AC6230-16	30.0	90.0	20.0	5.0
AC6235-35	35.0	95.0	20.0	5.0

