

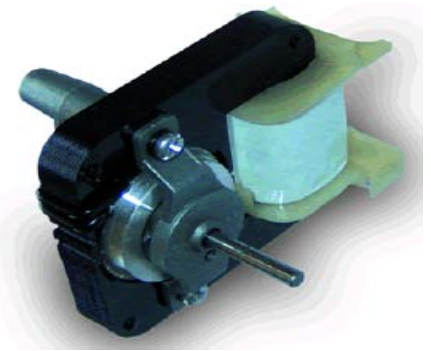
Shaded Pole AC Motor



Lamination Dimension 63x66

| Technical Data | |
|----------------------|------------|
| Voltage Range | 100-240VAC |
| Insulation Class | A/E/B/F/H |
| Rotating Direction | CCW/CW |
| Working Standard | Continues |
| Lamination Dimension | 63x66mm |

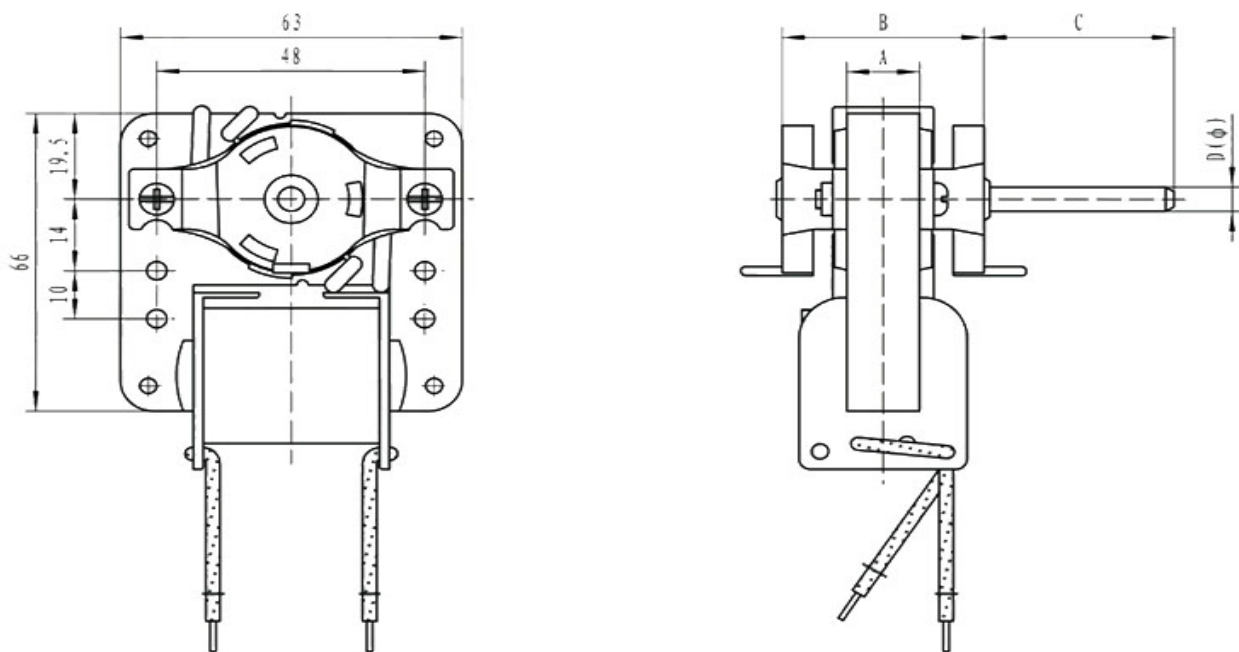
| Typical Application |
|--|
| Microwave Overns |
| Blower Motors |
| Electronic Equipment with Need High Power |



Specification

| Model | Voltage (A) | Frequency (Hz) | Free Load | | | On Load | | | | Max. Toruqe (mN.m) | Start Torque (mN.m) | Output Power (W) |
|-----------|-------------|----------------|-----------|-------|-------|---------|-------|-------|--------|--------------------|---------------------|------------------|
| | | | Current | Power | Speed | Current | Power | Speed | Torque | | | |
| | | | (A) | (W) | (Rpm) | (A) | (W) | (Rpm) | (mN.m) | | | |
| AC6310-35 | 220 | 50 | 0.14 | 12.5 | 2820 | 0.15 | 15.5 | 2450 | 11.27 | | | 3 |
| AC6312-35 | 220 | 50 | 0.17 | 14 | 2830 | 0.17 | 17.5 | 2450 | 13.3 | | | 3.6 |
| AC6310-16 | 120 | 60 | 0.16 | 13 | 3400 | 0.17 | 16 | 2800 | 11.27 | | | 3.4 |
| AC6312-16 | 120 | 60 | 0.2 | 15 | 3400 | 0.22 | 19 | 2800 | 13.3 | | | 3.8 |

Outline Drawing



| Dimensions | | | | |
|------------|--------|--------|---------------|------------|
| Model | A (mm) | B (mm) | C (mm) | D (mm) |
| AC6310-35 | 10 | 38 | 10.5mm~13.5mm | Φ2.5~Φ6.35 |
| AC6312-35 | 12 | 40 | | |
| AC6310-16 | 10 | 38 | 10.5mm~13.5mm | Φ2.5~Φ6.35 |
| AC6312-16 | 12 | 40 | | |

