

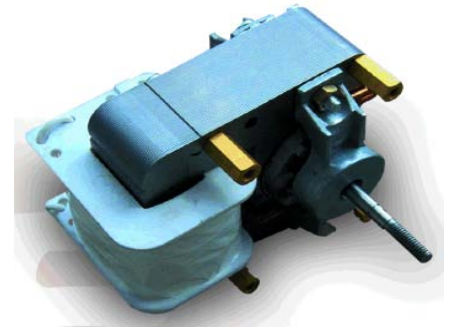
Shaded Pole AC Motor



Lamination Dimension 71x74

Technical Data	
Voltage Range	100-240VAC
Insulation Class	A/E/B/F/H
Rotating Direction	CCW/CW
Working Standard	Continues
Lamination Dimension	63x66mm

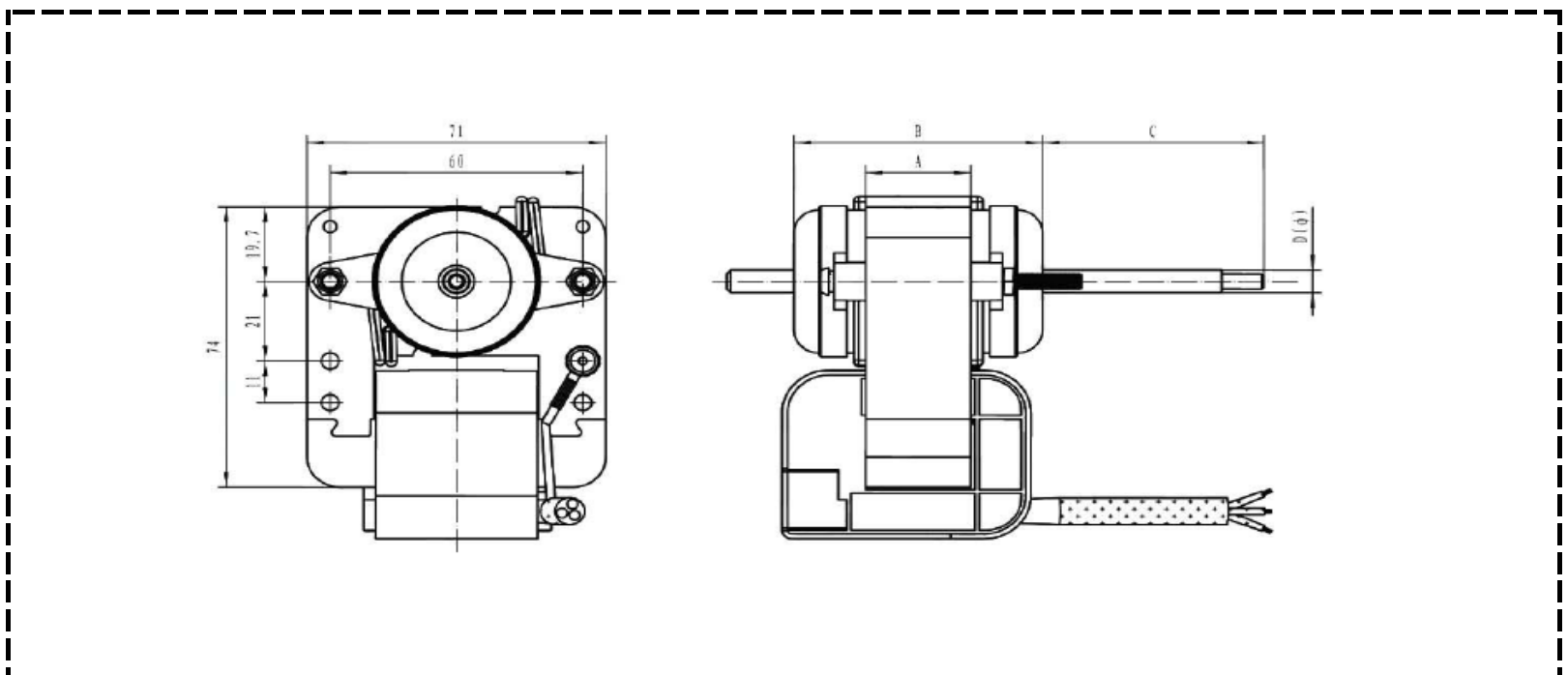
Typical Application
Exhaust Fans
Water Heaters

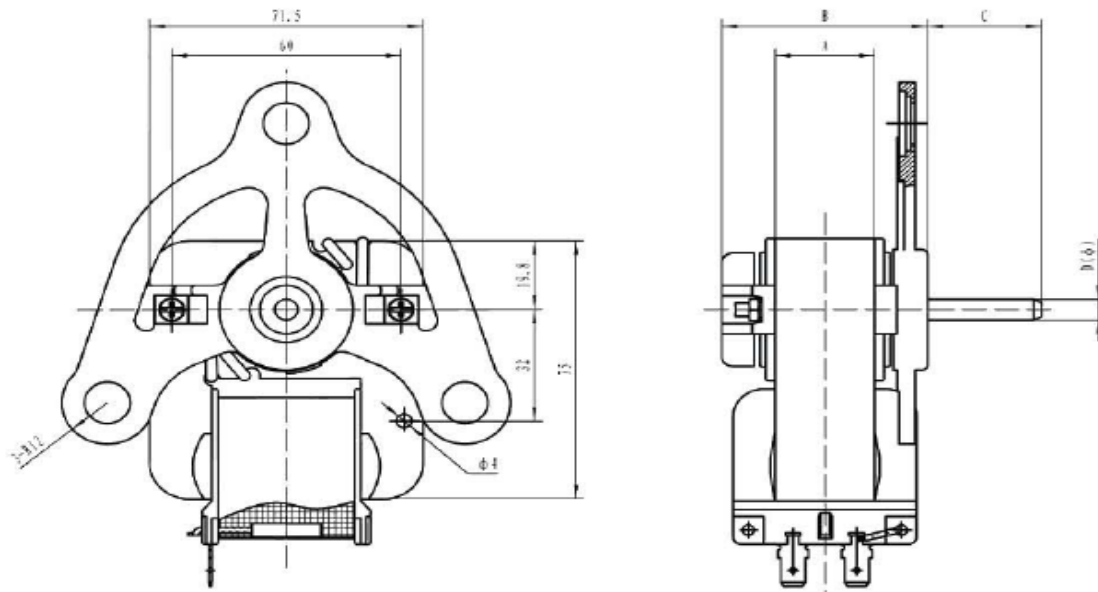


Specification

Model	Voltage (A)	Frequency (Hz)	Free Load			On Load				Max. Torque (mN.m)	Start Torque (mN.m)	Output Power (W)
			Current (A)	Power (W)	Speed (Rpm)	Current (A)	Power (W)	Speed (Rpm)	Torque (mN.m)			
			(A)	(W)	(Rpm)	(A)	(W)	(Rpm)	(mN.m)			
AC7125-35	220	50	0.12	10	2800	0.15	45	2300	38			7.5
AC7125-16	120	60	0.19	37	3400	0.2	42	3100	38			7.2
AC7135-35	220	50	0.2	60	2800	0.25	68	2300	45			11.6
AC7135-16	120	60	0.3	55	3400	0.35	62	3100	45			10.5
AC7126-35	220	50	0.4	35.4	2800	0.49	53	2400	51.2			9
AC7130-35	220	50	0.45	40	2800	0.55	59.89	2400	57.86			10
AC7135-35	220	50	0.48	42.83	2800	0.59	64.13	2400	61.95			10.9
AC7140-35	220	50	0.51	45.31	2800	0.63	67.84	2400	65.54			11.6
AC7145-35	220	50	0.58	51.6	2800	0.71	77.26	2400	74.63			13
AC7126-16	120	60	0.84	37.4	3400	0.96	51	3200	51.2			8.7
AC7130-16	120	60	0.95	42.26	3400	1.08	57.63	3200	57.86			9.7
AC7135-16	120	60	0.99	44.13	3400	1.13	60.18	3200	60.42			10.2
AC7140-16	120	60	1.04	46.38	3400	1.19	63.24	3200	63.49			10.7
AC7145-16	120	60	1.13	50.49	3400	1.3	68.85	3200	69.12			11.7

Outline Drawing





Dimensions				
Model	A (mm)	B (mm)	C (mm)	D (mm)
AC7125-35	25		10mm~100mm	φ5.0, φ7.0
AC7125-16	25			
AC7135-35	35			
AC7135-16	26	38	10mm~100mm	φ4.0, φ6.0
AC7126-35	30	42		
AC7130-35	35	46		
AC7135-35	40	51		
AC7140-35	45	56		
AC7145-35	25		10mm~100mm	φ4.0, φ6.0
AC7126-16	35			
AC7130-16	26	38		
AC7135-16	30	42		
AC7140-16	35	46		
AC7145-16	40	51		

