

## 15 W

### K Series

#### Speed Adjusted Motor



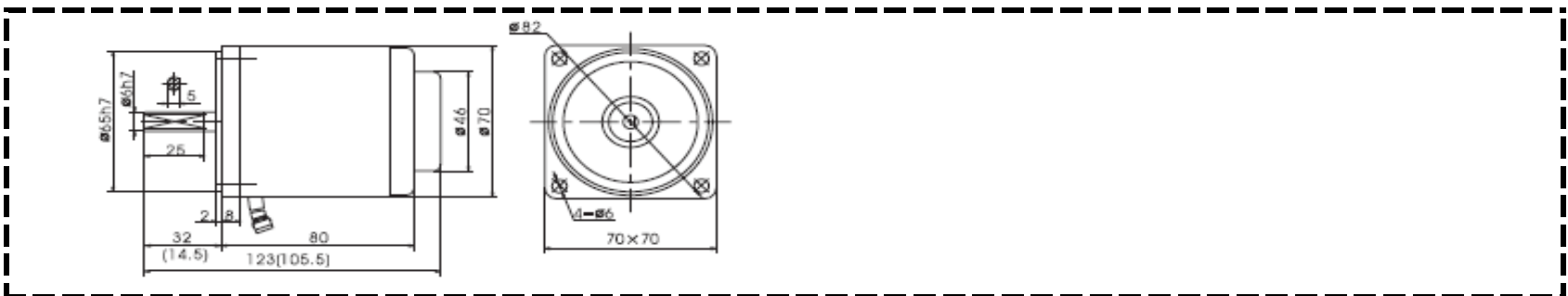
#### Motor Specification

Model		Output	Volt	Freq Pole		Duty	RPM	Allowable Torque				Start Torque		Capacitor
Motor	Motor With Gear shaft			Hz	P			1200r/min		90r/min		N.m	kgf.cm	
		W	V	Hz	P		rpm	N.m	kgf.cm	N.m	kgf.cm	N.m	kgf.cm	μf/VAC
AI70-1515S4-R	GI3K15RGN-A	15	1ph110	50	4	CONT	90~1350	0.12	1.20	0.04	0.35	0.06	0.55	5.0/250
AI70-3515S4-R	GI3K15RGN-C	15	1ph220	50	4	CONT	90~1350	0.12	1.20	0.04	0.35	0.06	0.55	1.2/450
AR70-1515S4-F	GR3K15RGN-A	15	1ph110	50	4	30Min	90~1350	0.13	1.30	0.04	0.40	0.07	0.65	6.0/250
AR70-3515S4-F	GR3K15RGN-C	15	1ph220	50	4	30Min	90~1350	0.13	1.30	0.04	0.40	0.07	0.65	1.5/450

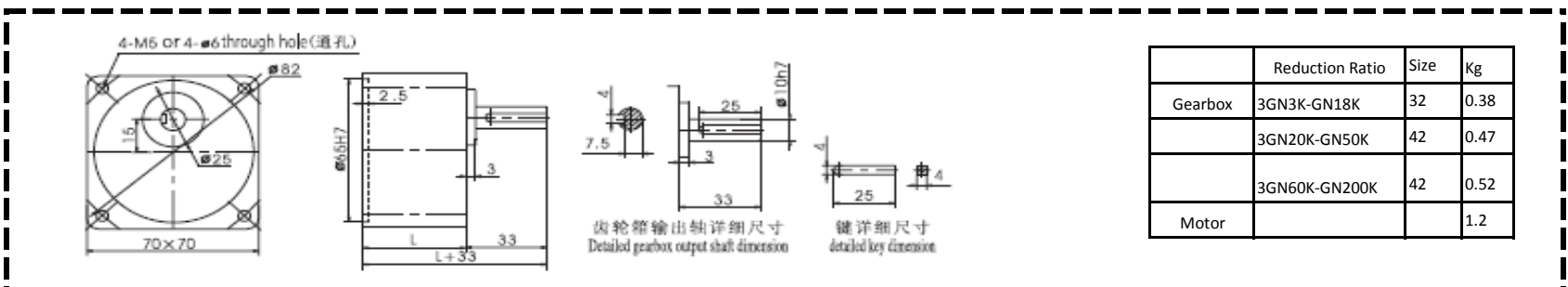
#### Gearbox

Frequency	Ratio	3	3.6	5	6	7.5	9	10	12.5	15	18	20	25	30	36	40	50	60	75	90	100	120	150	180	200	
50HZ	Speed	r/min	500	417	300	250	200	166	150	120	100	83	75	60	50	41	37	30	25	20	16	15	12	10	8	7.5
	Allowable Torque	N.m	0.31	0.38	0.53	0.64	0.79	0.95	1.06	1.32	1.59	1.90	1.90	2.37	2.85	3.42	3.81	4.28	4.90	4.90	4.90	4.90	4.90	4.90	4.90	4.90
60HZ	Speed	r/min	600	500	360	300	240	200	180	144	120	100	90	72	60	50	45	36	30	24	20	18	15	12	10	9
	Allowable Torque	N.m	0.29	0.35	0.50	0.60	0.75	0.89	0.99	1.25	1.49	1.79	1.79	2.24	2.68	3.22	3.58	4.02	4.90	4.90	4.90	4.90	4.90	4.90	4.90	4.90

#### Motor Dimension

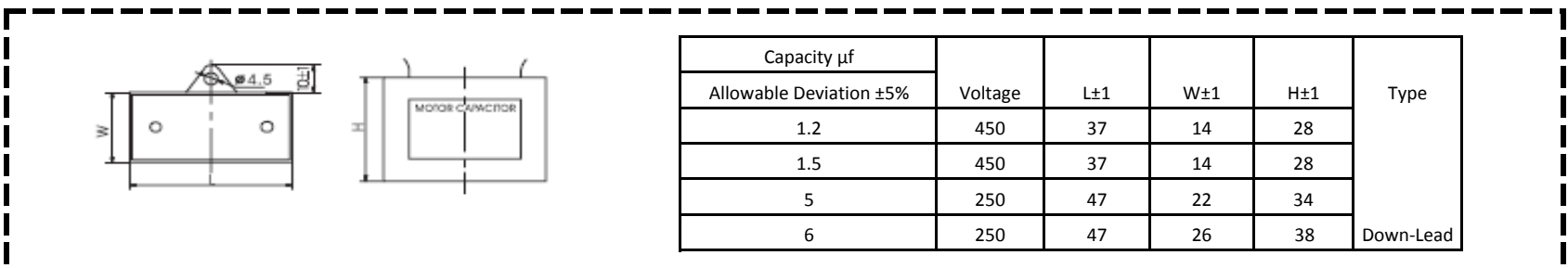


#### Gearhead Dimension



	Reduction Ratio	Size	Kg
Gearbox	3GN3K-GN18K	32	0.38
	3GN20K-GN50K	42	0.47
	3GN60K-GN200K	42	0.52
Motor			1.2

#### Compacitor



Capacity μf	Voltage	L±1	W±1	H±1	Type
1.2	450	37	14	28	Down-Lead
1.5	450	37	14	28	
5	250	47	22	34	
6	250	47	26	38	