

K Series

25 W



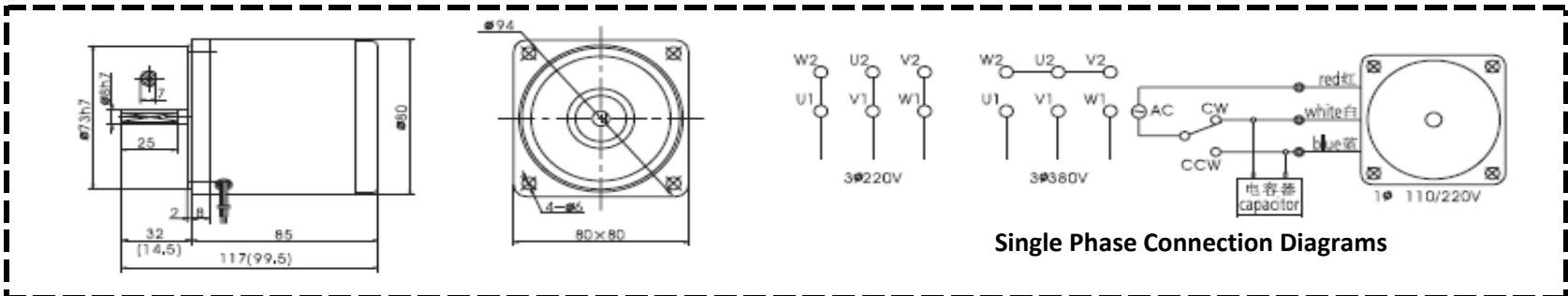
Motor Specification

Motor	Model	Output W	Volt V	Freq Hz	Pole P	Duty	Rated				Start Torque		Capacitor µf/VAC
							Speed r/min	Current A	Torque N.m	kgf.cm	N.m	kgf.cm	
AI80-1525S4	GI4K25GN-A	25	1ph110	50	4	CONT	1350	0.45	0.18	1.80	0.18	1.80	7.0/250
AI80-3525S4	GI4K25GN-C	25	1ph220	50	4	CONT	1350	0.24	0.18	1.80	0.18	1.80	1.8/450
AI80-3525T4	GI4K25GN-S	25	3ph220	50	4	CONT	1300	0.25	0.19	1.88	0.19	1.88	
AI80-10525T4	GI4K25GN-S ₃	25	3ph380	50	4	CONT	1300	0.14	0.19	1.88	0.19	1.88	
AI80-3525S2		25	1ph220	50	2	CONT	2700	0.28	0.09	0.90	0.09	0.90	2.5/450

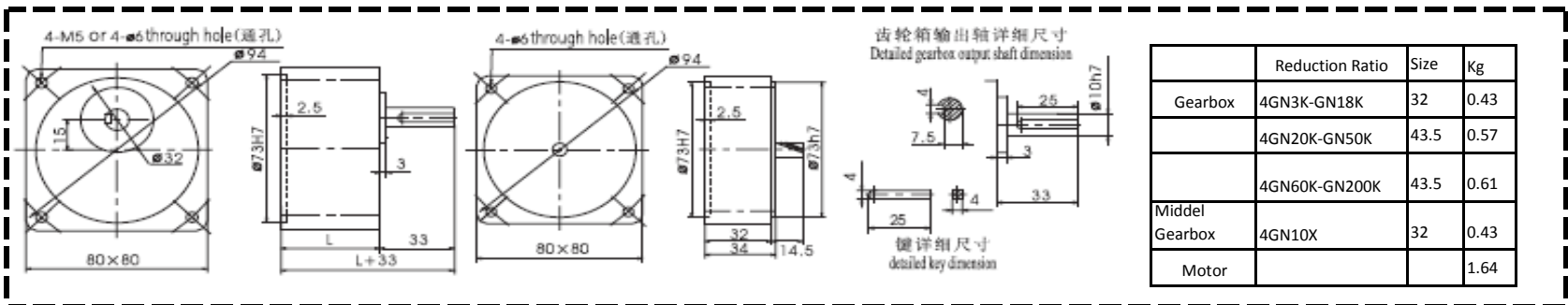
Gearbox

Frequency	Ratio	Speed r/min	3	3.6	5	6	7.5	9	10	12.5	15	18	20	25	30	36	40	50	60	75	90	100	120	150	180	200
			50HZ	Speed	r/min	500	417	300	250	200	166	150	120	100	83	75	60	50	41	37	30	25	20	16	15	12
50HZ	Allowable Torque	N.m	0.52	0.63	0.87	1.05	1.31	1.57	1.74	2.91	2.62	3.15	3.15	3.94	4.72	5.66	6.29	7.12	7.84	7.84	7.84	7.84	7.84	7.84	7.84	7.84
		kgf.cm	5.3	6.4	8.9	10.7	13.4	16	17.8	22.3	26.7	32.1	32.1	40.2	48.2	57.8	64.2	72.6	80	80	80	80	80	80	80	80
60HZ	Speed	r/min	600	500	360	300	240	200	180	144	120	100	90	72	60	50	45	36	30	24	20	18	15	12	10	9
		N.m	0.43	0.51	0.72	0.85	1.07	1.28	1.43	1.78	2.15	2.57	2.58	3.22	0.86	4.64	5.16	5.82	6.99	7.84	7.84	7.84	7.84	7.84	7.8	7.8
60HZ	Allowable Torque	kgf.cm	4.4	5.2	7.3	8.7	10.9	13.1	14.6	18.2	21.9	26.2	26.3	32.9	39.4	47.3	52.6	59.4	71.3	80	80	80	80	80	80	80

Motor Dimension



Gearhead Dimension



Compacitor

