

25 W

K Series

Speed Adjusted Motor



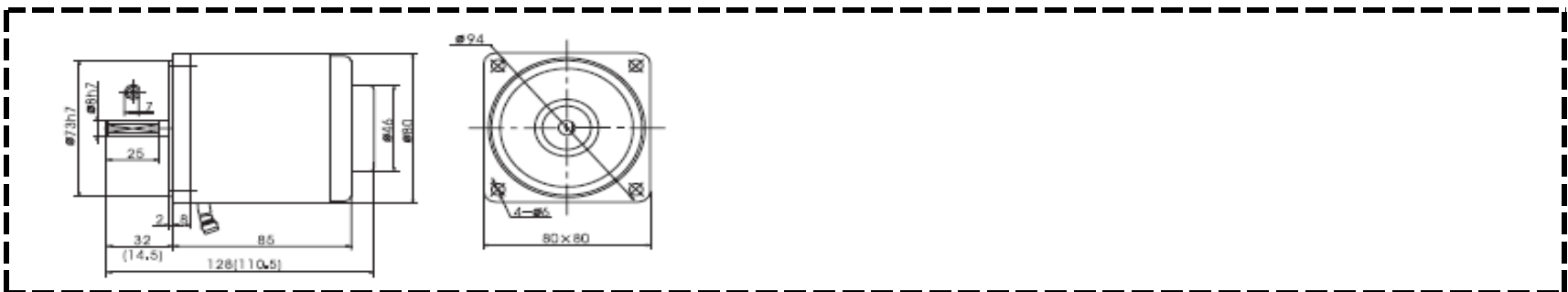
Motor Specification

Motor	Model	Output W	Volt V	Freq Hz	Pole P	Duty	RPM rpm	Allowable Torque				Start Torque		Capacitor µf/VAC
								1200r/min		90r/min		N.m	kgf.cm	
AI80-1525S4-R	GI4K25RGN-A	25	1ph110	50	4	CONT	90~1350	0.19	1.90	0.05	0.45	0.13	0.45	7.5/250
AI80-3525S4-R	GI4K25RGN-C	25	1ph220	50	4	CONT	90~1350	0.19	1.90	0.05	0.45	0.13	0.45	1.8/450
AR80-1525S4-R	GR4K25RGN-A	25	1ph110	50	4	30Min	90~1350	0.20	2.00	0.05	0.50	0.15	0.50	8.0/250
AR80-3525S4-R	GR4K25RGN-C	25	1ph220	50	4	30Min	90~1350	0.20	2.00	0.05	0.50	0.18	0.50	2.2/450

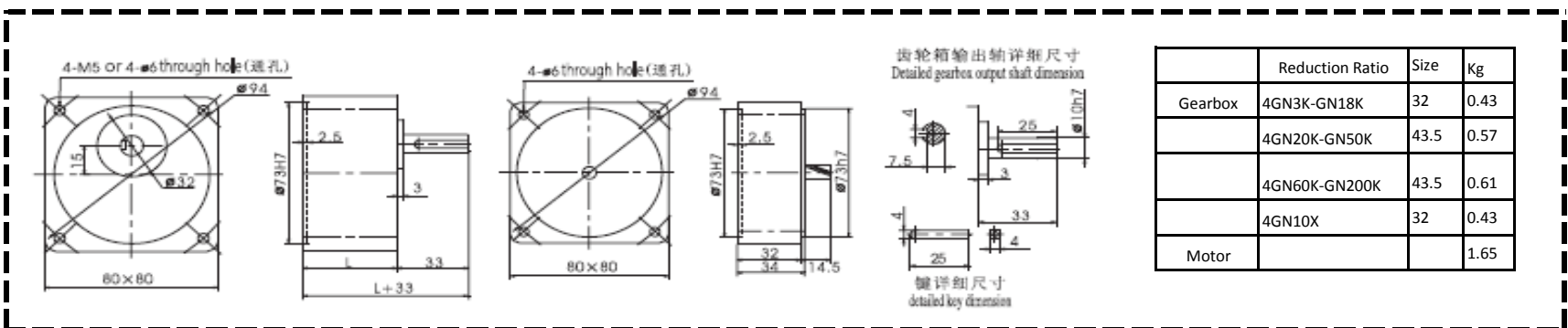
Gearbox

Frequency	Reduction Ratio		3	3.6	5	6	7.5	9	10	12.5	15	18	20	25	30	36	40	50	60	75	90	100	120	150	180	200
			50HZ	Speed	r/min	500	417	300	250	200	166	150	120	100	83	75	60	50	41	37	30	25	20	16	15	12
50HZ	Allowable Torque	N.m	0.52	0.63	0.87	1.05	1.31	1.57	1.74	2.91	2.62	3.15	3.15	3.94	4.72	5.66	6.29	7.12	7.84	7.84	7.84	7.84	7.84	7.84	7.84	7.84
		kgf.cm	5.3	6.4	8.9	10.7	13.4	16	17.8	22.3	26.7	32.1	32.1	40.2	48.2	57.8	64.2	72.6	80	80	80	80	80	80	80	80
60HZ	Speed	r/min	600	500	360	300	240	200	180	144	120	100	90	72	60	50	45	36	30	24	20	18	15	12	10	9
		N.m	0.43	0.51	0.72	0.85	1.07	1.28	1.43	1.78	2.15	2.57	2.58	3.22	0.86	4.64	5.16	5.82	6.99	7.84	7.84	7.84	7.84	7.84	7.84	7.84
60HZ	Allowable Torque	N.m	0.43	0.51	0.72	0.85	1.07	1.28	1.43	1.78	2.15	2.57	2.58	3.22	0.86	4.64	5.16	5.82	6.99	7.84	7.84	7.84	7.84	7.84	7.84	7.84
		kgf.cm	4.4	5.2	7.3	8.7	10.9	13.1	14.6	18.2	21.9	26.2	26.3	32.9	39.4	47.3	52.6	59.4	71.3	80	80	80	80	80	80	80

Motor Dimension

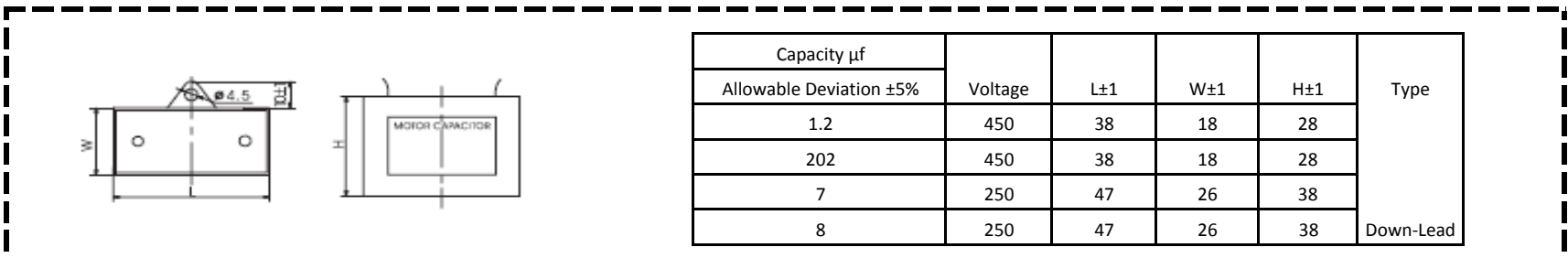


Gearhead Dimension



	Reduction Ratio	Size	Kg
Gearbox	4GN3K-GN18K	32	0.43
	4GN20K-GN50K	43.5	0.57
	4GN60K-GN200K	43.5	0.61
	4GN10X	32	0.43
Motor			1.65

Compacitor



Capacity µf	Voltage	L±1	W±1	H±1	Type
1.2	450	38	18	28	Down-Lead
202	450	38	18	28	
7	250	47	26	38	
8	250	47	26	38	