

K Series

40 W



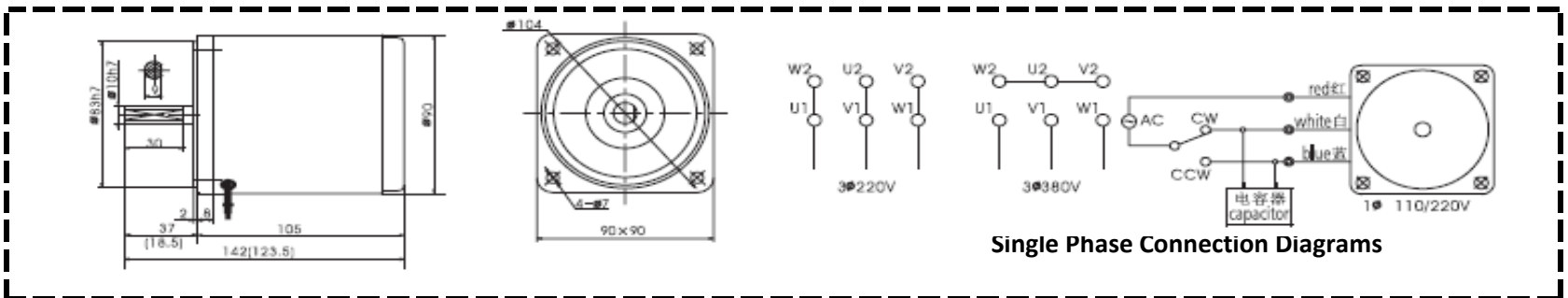
Motor Specification

Motor	Model	Output W	Volt V	Freq Hz	Pole P	Duty	Rated				Start Torque		Capacitor µf/VAC
							Speed r/min	Current A	Torque N.m	kgf.cm	N.m	kgf.cm	
AI90-1540S4	GI5K40GN-A	40	1ph110	50	4	CONT	1350	0.64	0.29	2.85	0.25	2.50	10.0/250
AI90-3540S4	GI5K40GN-C	40	1ph220	50	4	CONT	1350	0.32	0.29	2.85	0.28	2.50	2.5/450
AI90-3540T2	GI5K40GN-S	40	3ph220	50	4	CONT	1300	0.38	0.29	2.90	1.15	11.50	
AI90-10540T4	GI5K40GN-S ₃	40	3ph380	50	4	CONT	1300	0.22	0.29	2.90	1.15	11.50	
AI90-3540S2		40	1ph220	50	2	CONT	2750	0.35	0.15	1.45	0.13	1.25	3.0/450

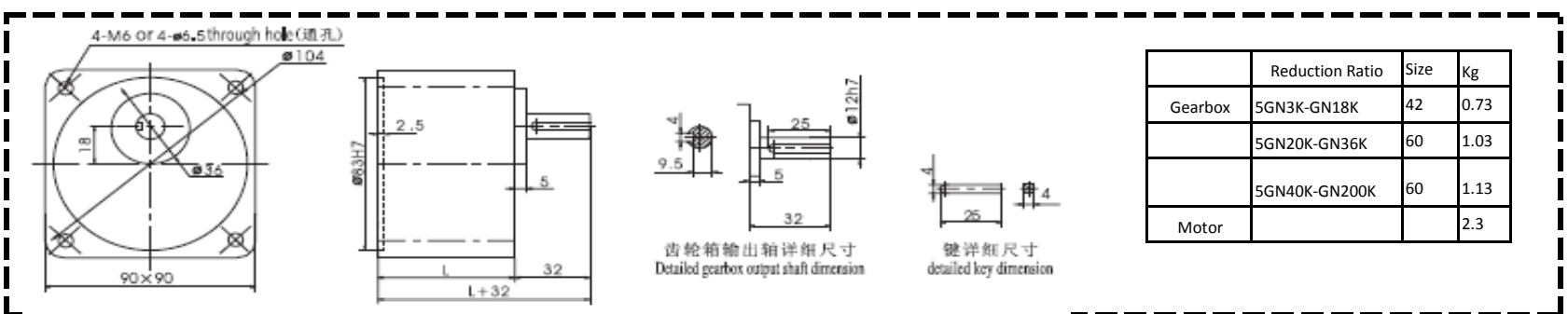
Gearbox

Frequency	Ratio	Speed r/min	Gearbox Ratios																							
			3	3.6	5	6	7.5	9	10	12.5	15	18	20	25	30	36	40	50	60	75	90	100	120	150	180	200
50HZ	Speed		500	417	300	250	200	166	150	120	100	83	75	60	50	41	37	30	25	20	16	15	12	10	8	7.5
	Allowable Torque	N.m	0.68	0.82	1.14	1.37	1.72	2.06	2.29	2.86	3.43	4.13	4.59	5.16	6.2	7.44	8.26	9.8	9.8	9.8	9.8	9.8	9.8	9.8	9.8	9.8
kgf.cm		6.94	8.37	11.6	14	17.6	21	23.4	29.2	35	42.1	46.8	52.6	63.3	75.9	84.3	100	100	100	100	100	100	100	100	100	
60HZ	Speed		600	500	360	300	240	200	180	144	120	100	90	72	60	50	45	36	30	24	20	18	15	12	10	9
	Allowable Torque	N.m	0.58	0.7	0.97	1.16	1.45	1.74	1.93	2.41	2.9	3.48	3.87	4.36	5.23	6.28	6.97	8.72	9.46	9.8	9.8	9.8	9.8	9.8	9.8	9.8
kgf.cm		5.92	7.14	9.9	11.8	10.8	17.7	19.7	24.6	29.6	35.5	39.5	44.5	53.4	64.1	71.1	89	96.5	100	100	100	100	100	100	100	

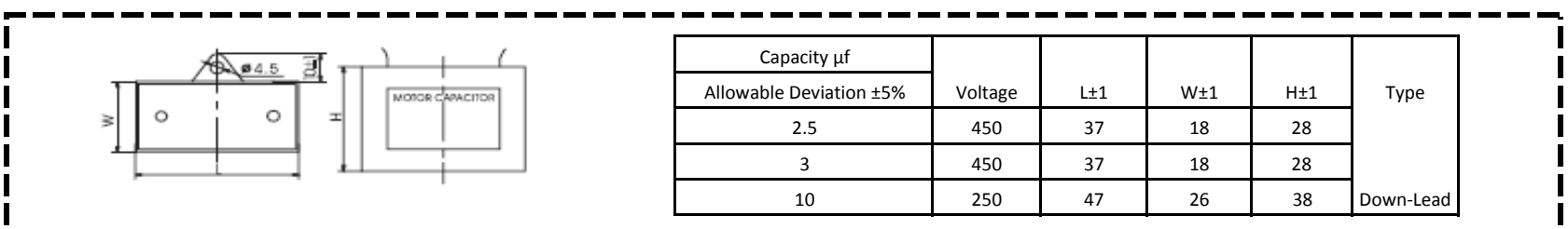
Motor Dimension



Gearhead Dimension



Compacitor





9812 Whithorn Dr., Houston, TX 77095, Phone: 281.855.2218, Fax:

