

K Series

60 W



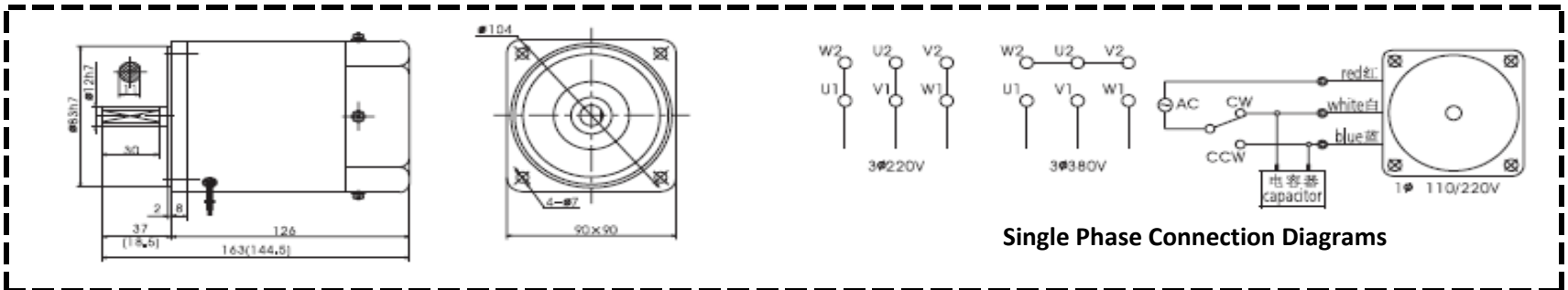
Motor Specification

Model		Output	Volt	Freq	Pole	Duty	Rated				Start Torque		Capacitor
Motor	Motor With Gear shaft						Speed	Current	Torque		N.m	kgf.cm	N.m
		W	V	Hz	P		r/min	A	N.m	kgf.cm	N.m	kgf.cm	μf/VAC
AI90-1560S4-F	GI5K60GN-AF	60	1ph110	50	4	CONT	1350	0.98	0.44	4.40	0.38	3.75	15.0/250
AI90-3560S4-F	GI5K60GN-CF	60	1ph220	50	4	CONT	1350	0.52	0.44	4.40	0.40	4.00	4.0/450
AI90-3560T2-F	GI5K60GN-SF	60	3ph220	50	4	CONT	1350	0.49	0.46	4.55	1.70	17.00	/
AI90-10560T4-F	GI5K60GN-S ₃ F	60	3ph380	50	4	CONT	1350	0.28	0.46	4.55	1.70	17.00	/
AI90-3560S2		60	1ph220	50	2	CONT	2750	0.56	0.21	2.10	0.25	2.50	4.0/450

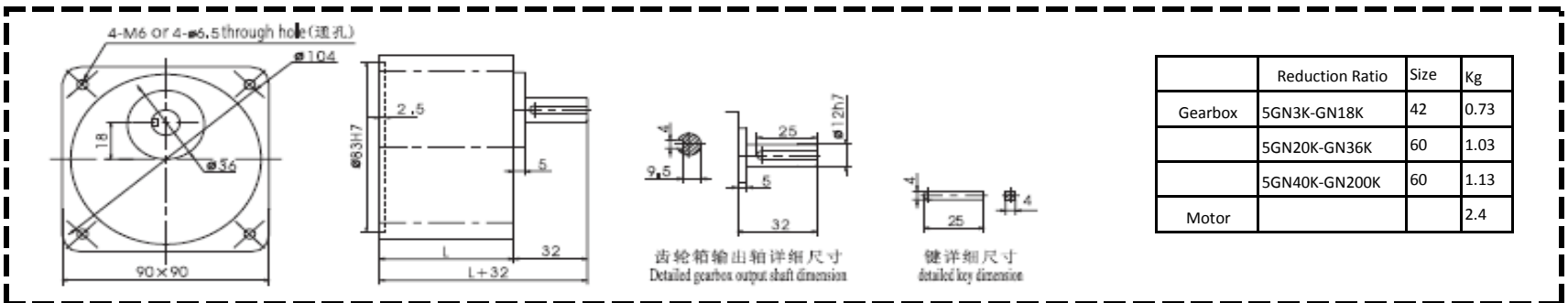
Gearbox

Frequency	Reduction Ratio		3	3.6	5	6	7.5	9	10	12.5	15	18	20	25	30	36	40	50	60	75	90	100	120	150	180	200
50HZ	Speed	r/min	500	417	300	250	200	166	150	120	100	83	75	60	50	41	37	30	25	20	16	15	12	10	8	7.5
	Allowable Torque	N.m	0.03	1.24	1.72	2.6	2.58	3.1	3.1	3.88	4.65	5.38	5.6	7.01	8.41	9.8	9.8	9.8	9.8	9.8	9.8	9.8	9.8	9.8	9.8	9.8
		kgf.cm	10.5	12.7	17.6	21	26.3	31.6	31.6	39.6	47.4	54.9	57.1	71.6	85.8	100	100	100	100	100	100	100	100	100	100	100
60HZ	Speed	r/min	600	500	360	300	240	200	180	144	120	100	90	72	60	50	45	36	30	24	20	18	15	12	10	9
	Allowable Torque	N.m	0.9	1.08	1.5	1.8	2.23	2.7	2.7	3.38	4.05	4.88	4.88	6.1	7.33	8.97	9.8	9.8	9.8	9.8	9.8	9.8	9.8	9.8	9.8	9.8
		kgf.cm	9.18	11	15.3	18.4	23	27.6	27.6	34.5	41.3	49.5	49.5	62.2	74.7	90	100	100	100	100	100	100	100	100	100	100

Motor Dimension



Gearhead Dimension



Compacitor

