

60 W

K Series

Speed Adjusted Motor



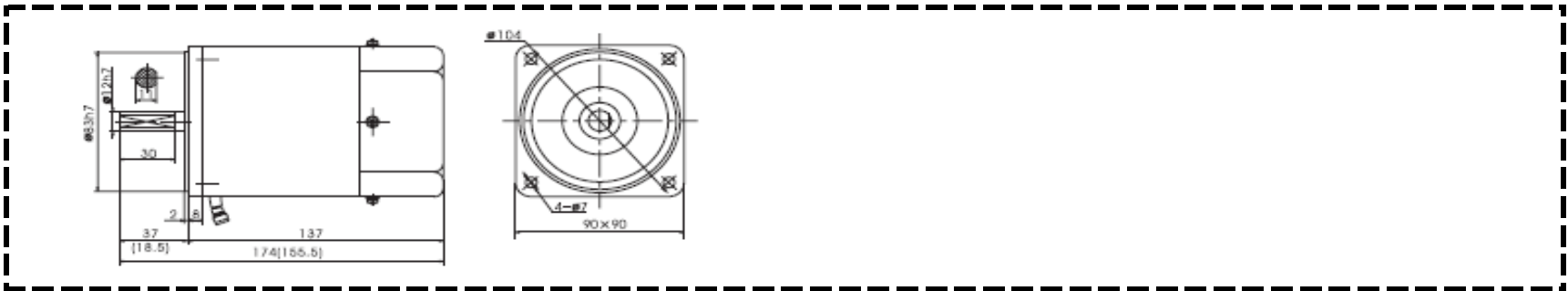
Motor Specification

Model		Output	Volt	Freq Pole		Duty	RPM	Allowable Torque				Start Torque		Capacitor
Motor	Motor With Gear shaft			Hz	P			1200r/min		90r/min		N.m	kgf.cm	
AI90-1560S4-RF	GI5K60RGN-AF	60	1ph110	50	4	CONT	90~1350	0.50	5.00	0.14	1.40	0.31	3.10	15.0/250
AI90-3560S4-RF	GI5K60RGN-CF	60	1ph220	50	4	CONT	90~1350	0.50	5.00	0.14	1.40	0.33	3.30	4.0/450

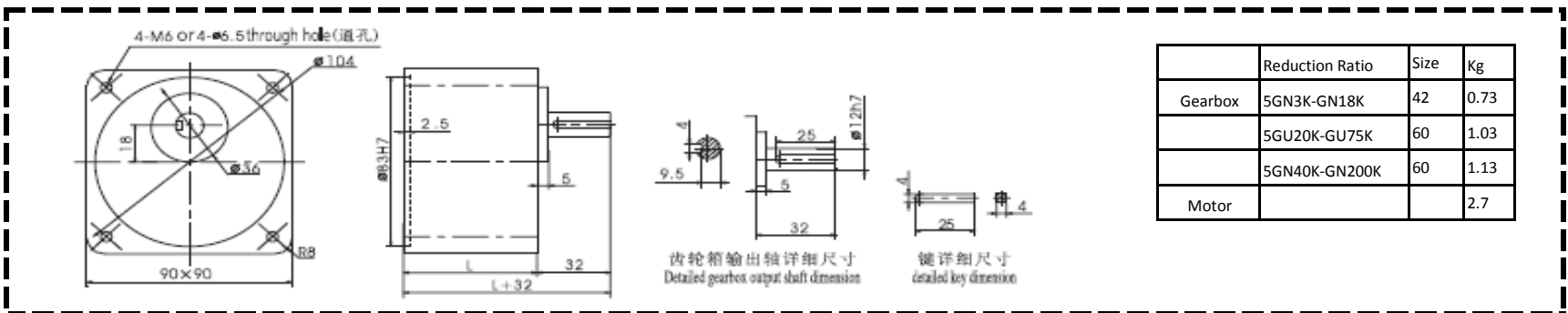
Gearbox

Frequency	Reduction Ratio		3	3.6	5	6	7.5	9	10	12.5	15	18	20	25	30	36	40	50	60	75	90	100	120	150	180	200
50HZ	Speed	r/min	500	417	300	250	200	166	150	120	100	83	75	60	50	41	37	30	25	20	16	15	12	10	8	7.5
	Allowable Torque	N.m	1.03	1.24	1.72	2.6	2.58	3.1	3.1	3.88	4.65	5.38	5.6	7.01	8.41	9.8	9.8	9.8	9.8	9.8	9.8	9.8	9.8	9.8	9.8	9.8
60HZ	Speed	r/min	600	500	360	300	240	200	180	144	120	100	90	72	60	50	45	36	30	24	20	18	15	12	10	9
	Allowable Torque	N.m	0.9	1.08	1.5	1.8	2.23	2.7	2.7	3.38	4.05	4.88	4.88	6.1	7.33	8.97	9.8	9.8	9.8	9.8	9.8	9.8	9.8	9.8	9.8	9.8

Motor Dimension



Gearhead Dimension



Compacitor

