

# NEMA 48&56 AC Motor



## Single Phase NEMA AC Motors-TEFC

General Specification	
Phase	Single Phase
Enclosure Type	TEFC
Frequency	60Hz
Mounting	Rigid
Ambient Temp	40C
Duty	Continuous
Frame Options	48, 56, 56C, 56J
Bearing	Double Shield Ball Bearings



### Technical Data

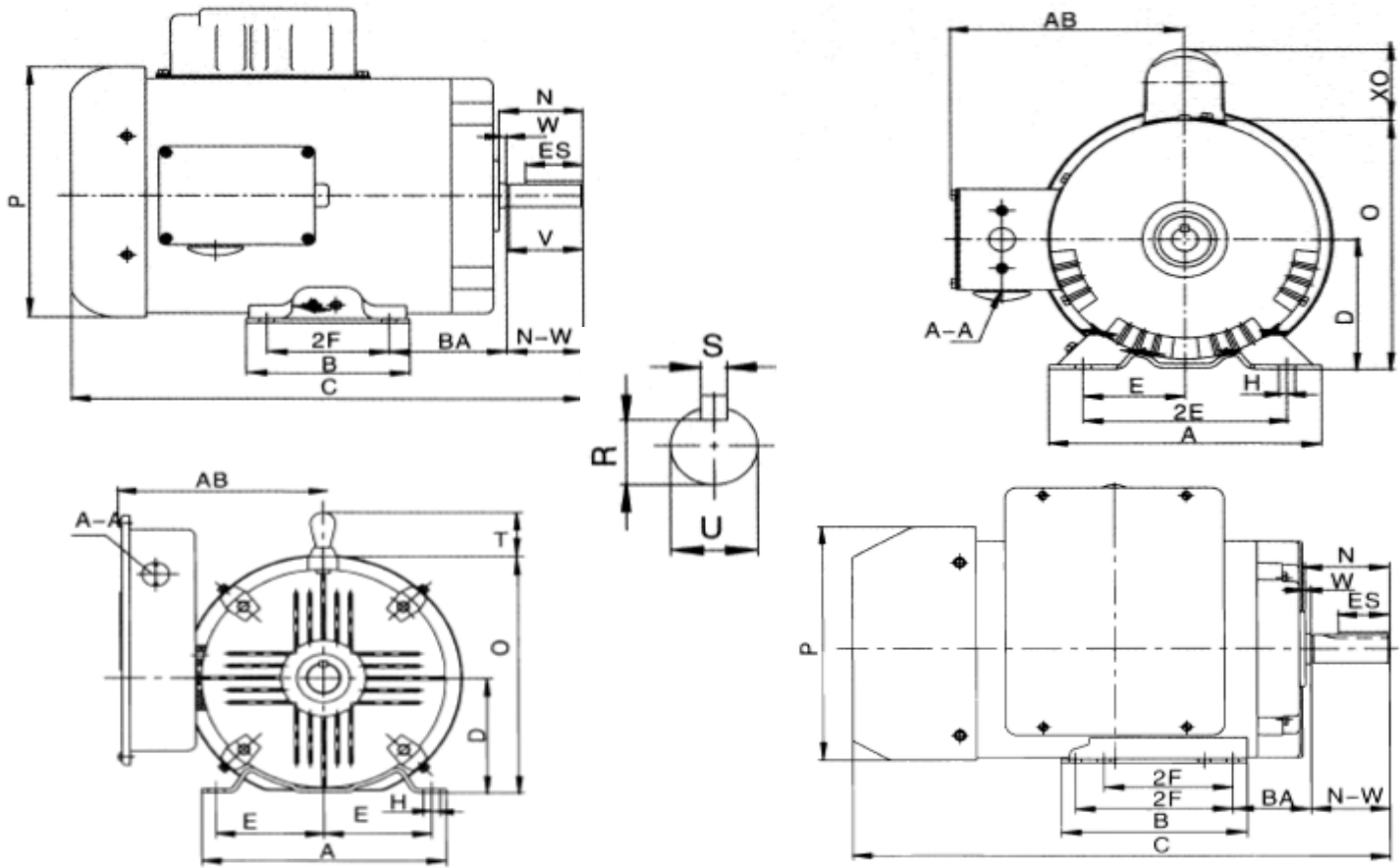
Power (HP)	Part No.	Frame Size	Speed RPM	Voltage V	Service Factor	F.L.A A	Efficiency %	Insulation Class
1/4	AN48SF025-762	48	3425	115/230	1.0	3.4/1.7	61	B
	AN48SF025-764	48	1725	115/230	1.0	4.2/2.1	65	B
1/3	AN48SF033-762	48	3425	115/230	1.0	4.2/2.1	65	B
	AN48SF033-764	48	1725	115/230	1.0	5.2/2.6	68	B
	AN56SF033-762	56	3425	115/230	1.0	5.2/2.6	58	B
	AN56SF033-764	56	1725	115/230	1.0	4.8/2.4	65	B
1/2	AN48SF050-762	48	3425	115/230	1.0	5.8/2.9	69	B
	AN48SF050-764	48	1725	115/230	1.0	7.2/3.6	71	B
	AN56SF050-762	56	3425	115/230	1.0	6.6/3.3	65	B
	AN56SF050-764	56	1725	115/230	1.0	6.4/3.2	69	B
3/4	AN56SF075-762	56	3425	115/230	1.0	8.6/4.3	70	B
	AN56SF075-764	56	1725	115/230	1.0	8.8/4.4	73	B
1	AN56SF100-762	56	3425	115/230	1.0	10.8/5.4	73	B
	AN56SF100-764	56	1725	115/230	1.0	11.2/5.6	75	B
1 1/2	AN56SF150-762	56	3425	115/230	1.0	13.8/6.9	74	B
	AN56SF150-764	56	1725	115/230	1.0	13.4/6.7	76	B
2	AN56SF200-762	56	3425	115/230	1.0	18/9	76	B
	AN56SF200-764	56	1725	115/230	1.0	17.8/8.9	77	B

**Note:**

1. Motors are designed with a 1.00, 1.15 or 1.25 service factor, depending on the rating and frame size, for overload conditions.
2. Special shaft and mounting can be customized to customer's requirement.



## Outline Drawing



Nema Frame Size	AB	BA	MA	MA	C	D	E	2F	H	N	N-W	O	P	R	S	U	MIN V	MIN ES	MIN AA
48	5.3	2.5	6	3.8	10	3	2.2	2.75	0.34	1.62	1.5	5.83	5.66	0.45		0.50	1.13		1/2
56	5.6	2.75	6.5	4.2	11.4	3.5	2.44	3.00	0.34	2.4	1.88	6.7	6.45	0.517	0.188	0.625	1.5	1.41	1/2

**TELCO** Motion™  
POWERING YOUR DESIGN