

Nema 42 AC Motor



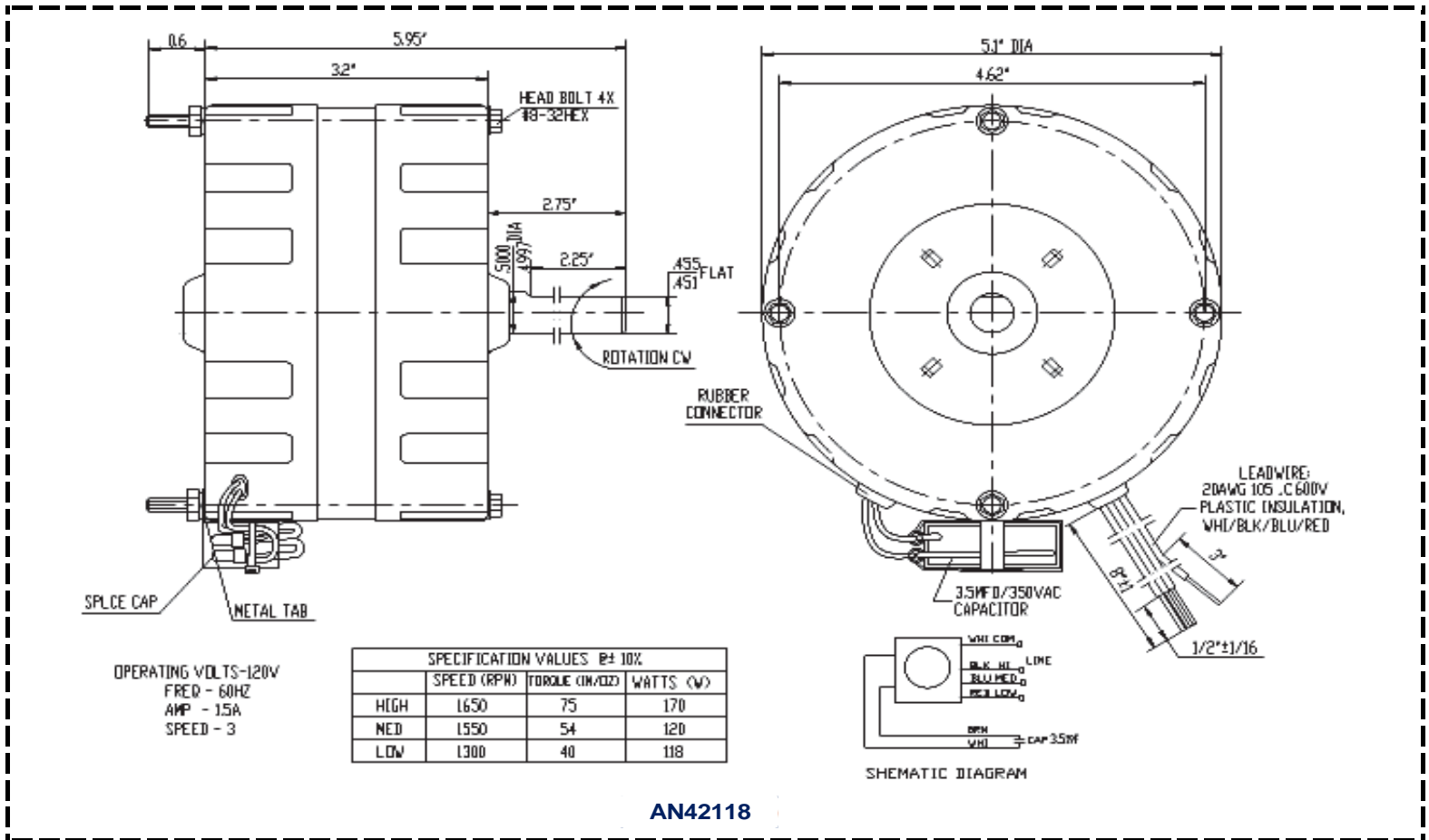
Model No. AN42118

Specifications	Unit	AN42118
Voltage	V	115-120
Frequency	HZ	60
Rated Current	A	1.5
Rated Speed	RPM	1300
Rated Torque	IN/Z	120
Output Power	W	118
Insulation Class		A/B

Note: Values of Rated Speed, Rated Torque and Output @+/-10%



Outline Drawing



9812 Whithorn Dr., Houston, TX 77095, Phone: 281.855.2218, Fax: 281.859.8825, Email: motors@telcointercon.com