

4.4" PSC Motor

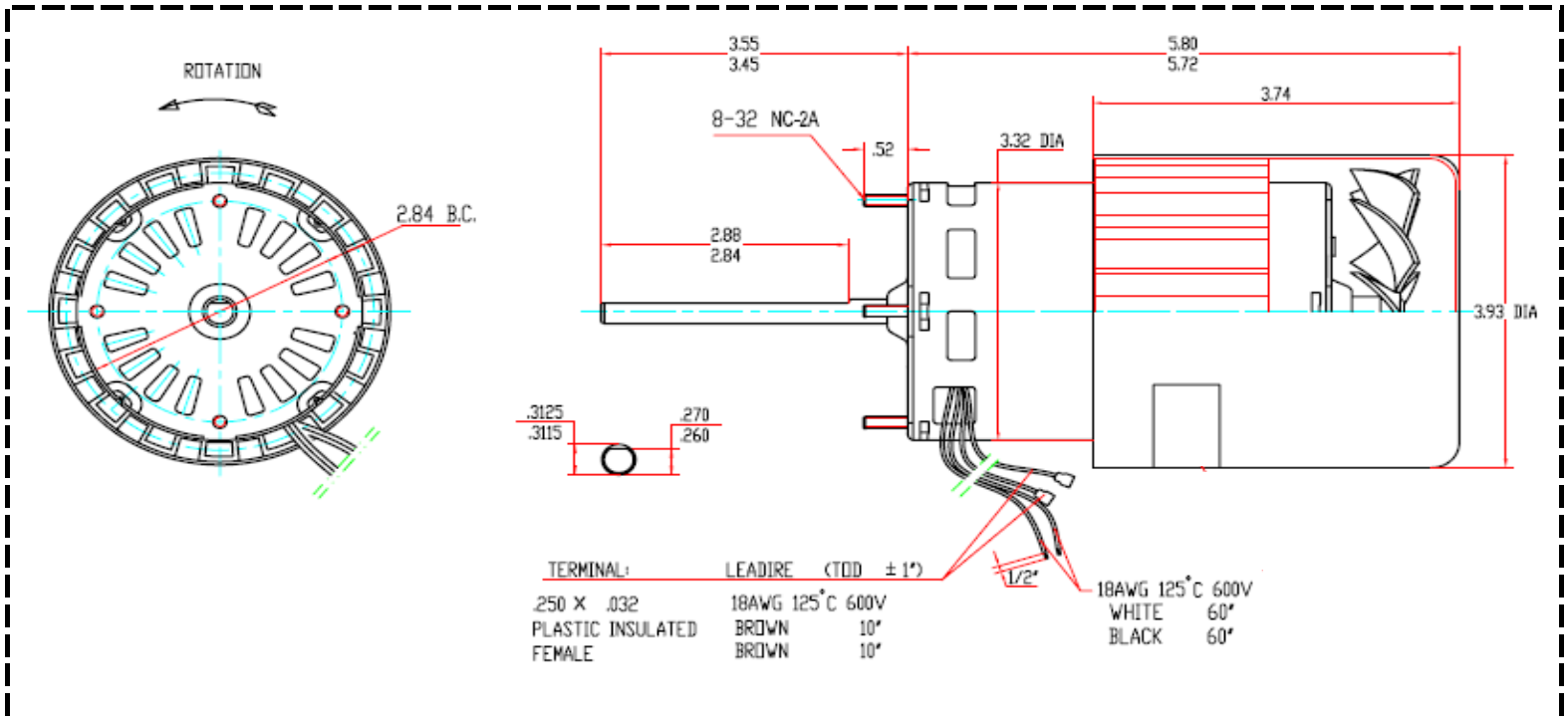


Model No. PSC112-16-120IF

Specification

Model No.	Voltage	Frequency	No-Load			Load			Run Cap.
			Current	Speed	Output Power	Current	Speed	Output Power	
	V	Hz	A	RPM	W	A	RPM	W	
PSC112-16-120IF	115	60	0.72	1775	78	1.51	1550	190	10 μ F/250V

Outline Drawing



Note:

1. Resettable Thermal Protector: KW-130°C, E206737

2. Housint Painted Black Epoxy-CW Gray-CCW

3. Bearing Type: Ball Bearings



4.4" PSC Motor

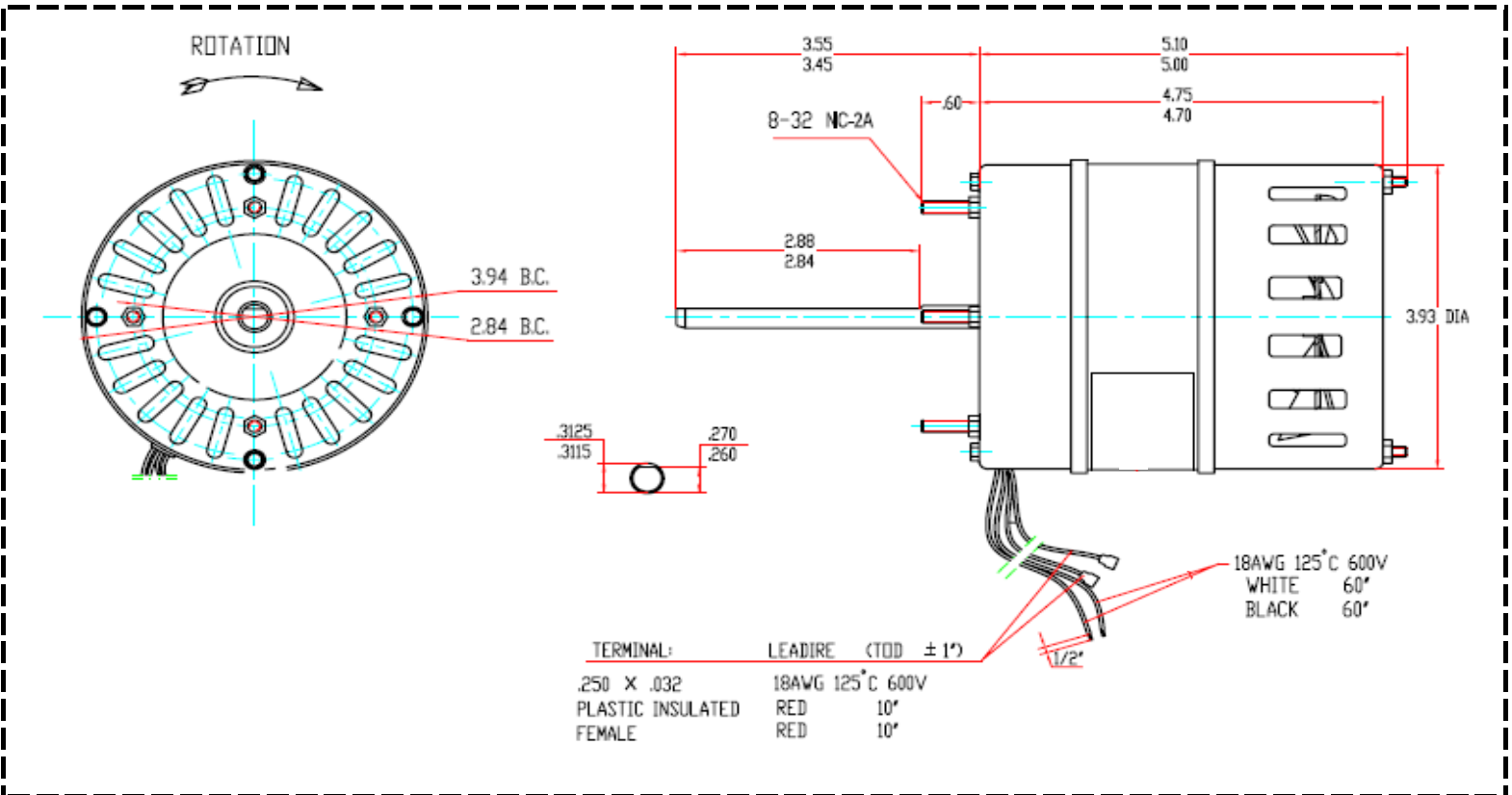


Model No. PSC112-26-120IF

Specification

Model No.	Voltage	Frequency	No-Load			Load			Run Cap.
			Current	Speed	Output Power	Current	Speed	Output Power	
			A	RPM	W	A	RPM	W	
PSC112-26-120IF	208	60	0.42	1775	81	0.88	1550	160	8 μ F/250V

Outline Drawing



Note:

1. Resettable Thermal Protector: KW-130°C, E206737
2. Housint Painted Black Epoxy-CW Gray-CCW
3. Bearing Type: Ball Bearings



4.4" PSC Motor

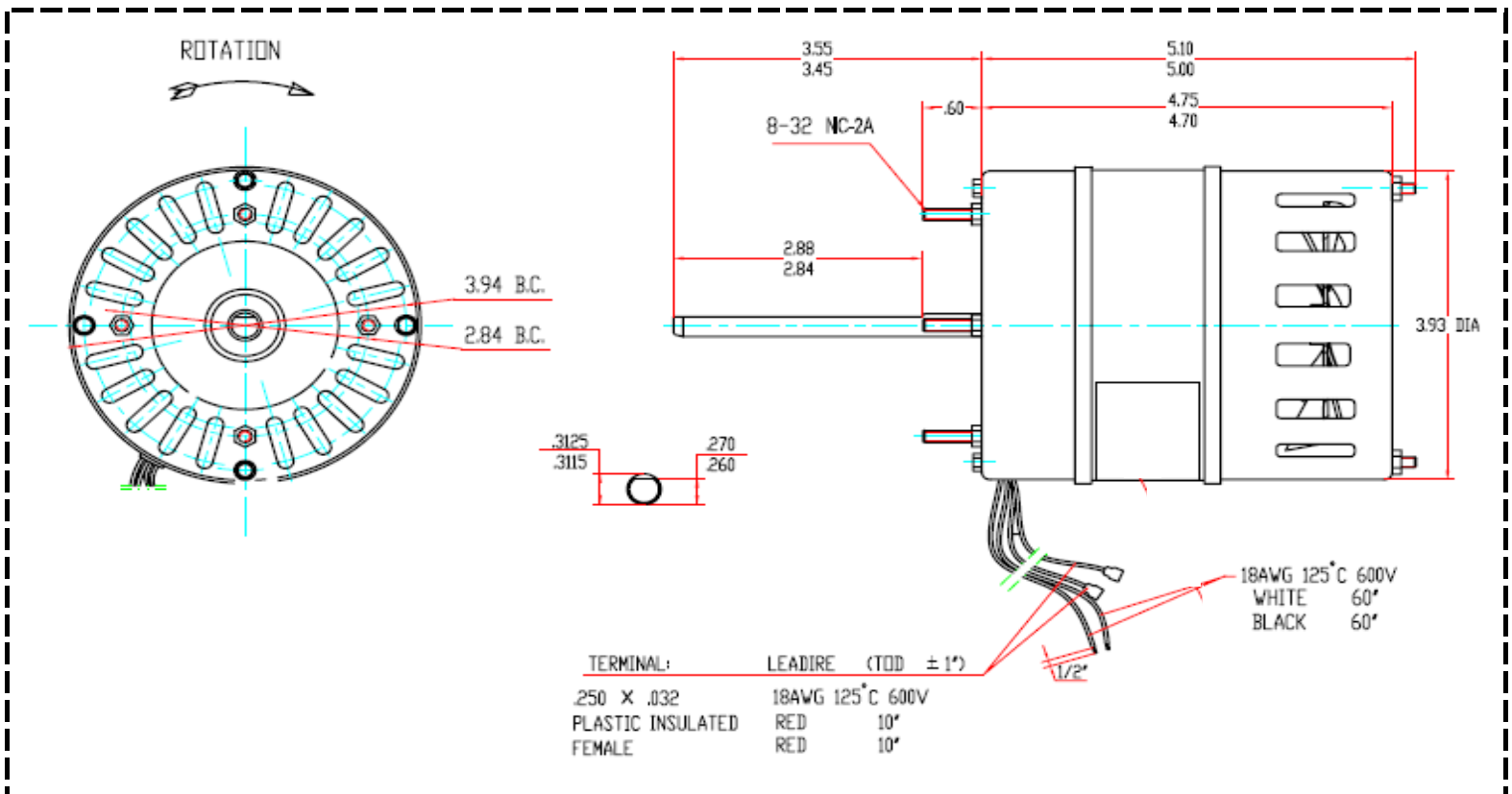


Model No. PSC112-35-120IF

Specification

Model No.	Voltage	Frequency	No-Load			Load			Run Cap.
			Current	Speed	Output Power	Current	Speed	Output Power	
			A	RPM	W	A	RPM	W	
PSC112-35-120IF	230	50	0.33	1475	74	0.81	1320	165	10 μ F/250V

Outline Drawing



Note:

1. Resettable Thermal Protector: KW-130°C, E206737
2. Housint Painted Black Epoxy-CW Gray-CCW
3. Bearing Type: Ball Bearings

