

# 3.42" PSC Motor

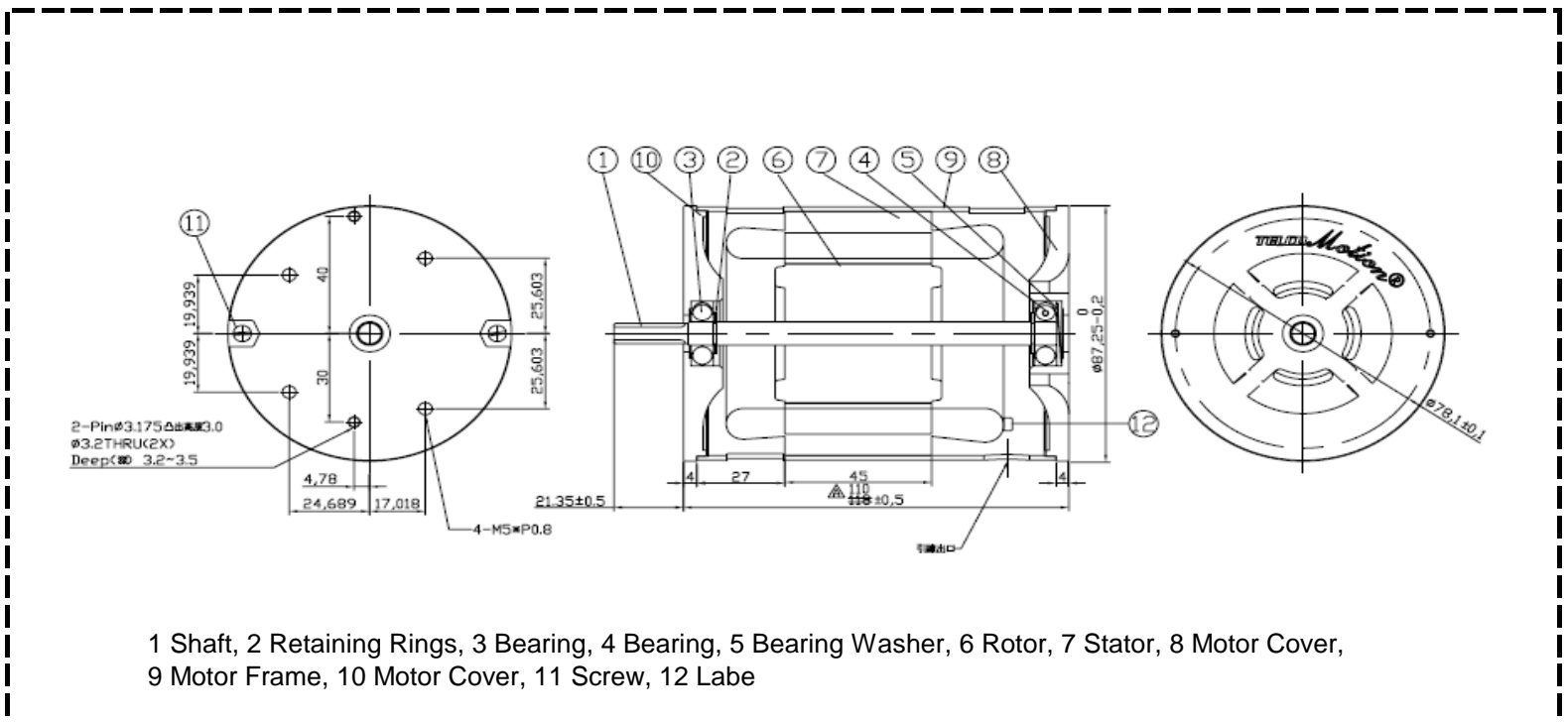


Model No. PSC87-16-069

## Specification

Model No.	Voltage	Frequency	No-Load			Load			Run Cap.
			Current	Speed	Output Power	Current	Speed	Output Power	
	V	Hz	A	RPM	W	A	RPM	W	
PSC87-16-069	115	60	0.6	1784	69	0.74	1740	85	14uF/220V

## Outline Drawing



1 Shaft, 2 Retaining Rings, 3 Bearing, 4 Bearing, 5 Bearing Washer, 6 Rotor, 7 Stator, 8 Motor Cover, 9 Motor Frame, 10 Motor Cover, 11 Screw, 12 Label

