

# 3.86" PSC Motor

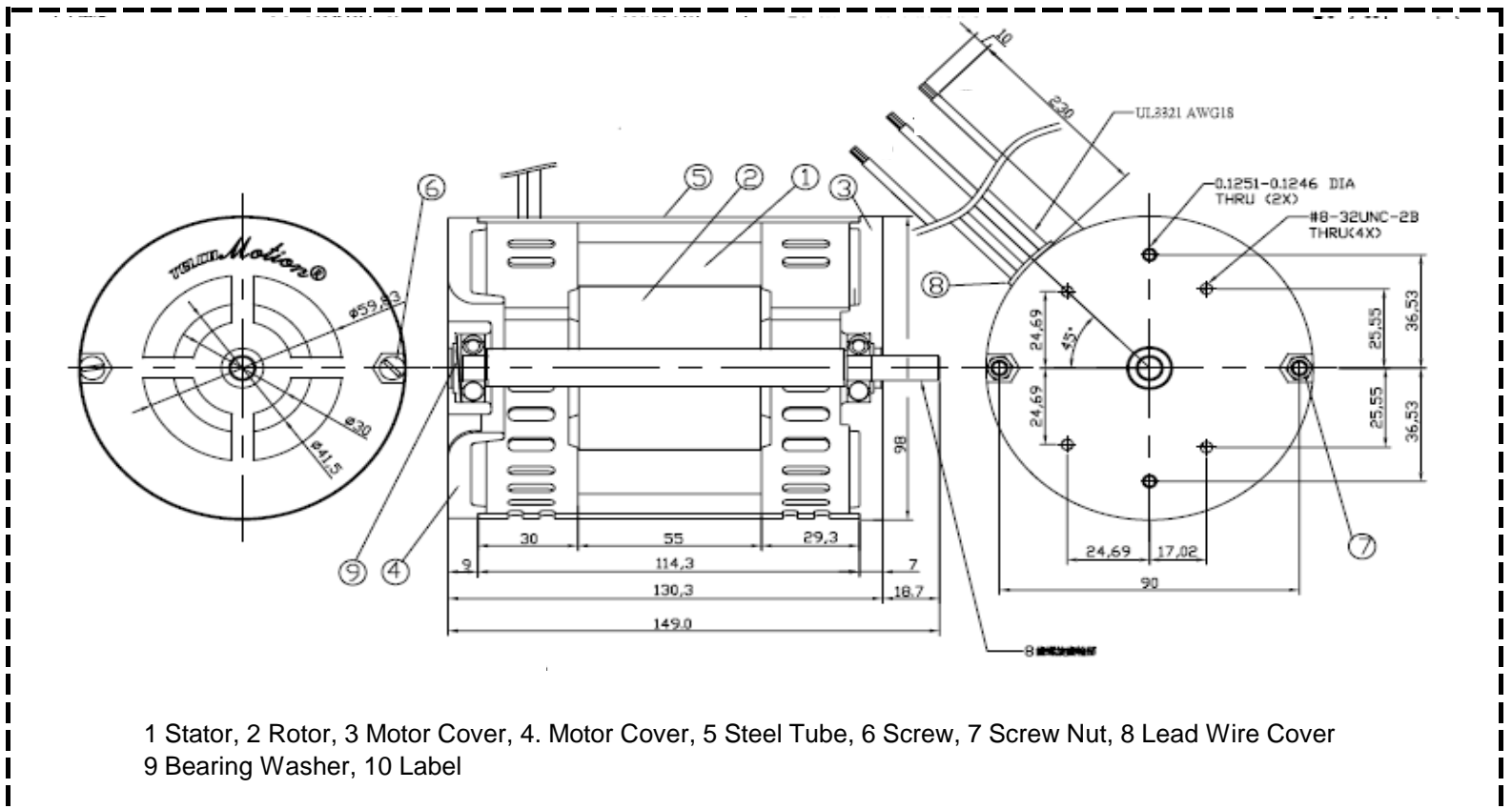


Model No. PSC98-16-114

## Specification

Model No.	Voltage V	Frequency Hz	No-Load			Load			Run Cap. 26uF/220V
			Current A	Speed RPM	Output Power W	Current A	Speed RPM	Output Power W	
PSC98-16-114	115	60	1.02	1765	114	1.51	1660	171	

## Outline Drawing



9812 Whithorn Dr., Houston, TX 77095, Phone: 281.855.2218, Fax: 281.859.8825, Email: motors@telcointercon.com