

## K Series

# 25 W



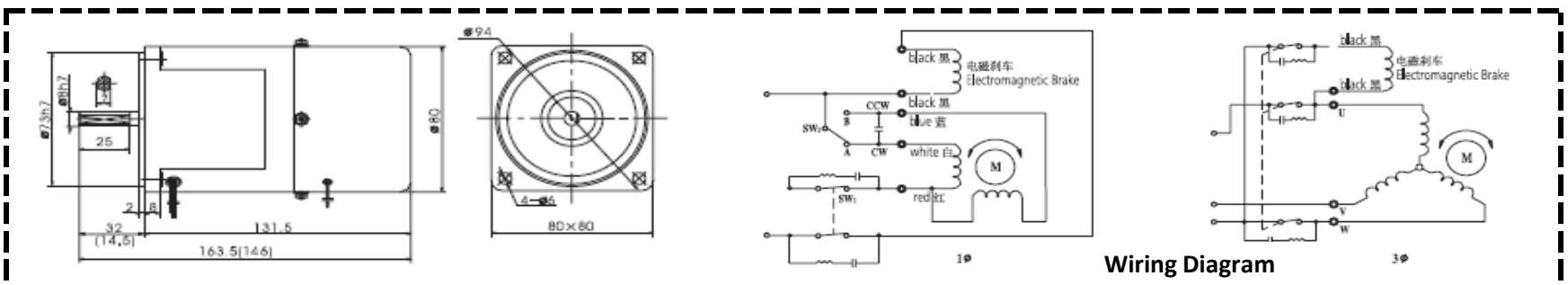
### Motor Specification

Motor	Model	Output W	Volt V	Freq Hz	Pole P	Duty	Rated				Start Torque		Capacitor µf/VAC
							Speed r/min	Current A	Torque N.m	kgf.cm	N.m	kgf.cm	
AR80-1525S4-M	GR4K25GN-AM	25	1ph110	50	4	30Min	1350	0.48	0.18	1.80	0.17	1.65	8.0/250
AR-803525S4-M	GR4K25GN-CM	25	1ph220	50	4	30Min	1350	0.24	0.18	1.80	0.14	1.40	2.2/450
AR80-3525T4-M	GR4K25GN-SM	25	3ph220	50	4	30Min	1300	0.25	0.19	1.88	0.52	5.16	/
AR80-10525T4-M	GR4K25GN-S <sub>3</sub> M	25	3ph380	50	4	30Min	1300	0.14	0.19	1.88	0.52	5.16	/

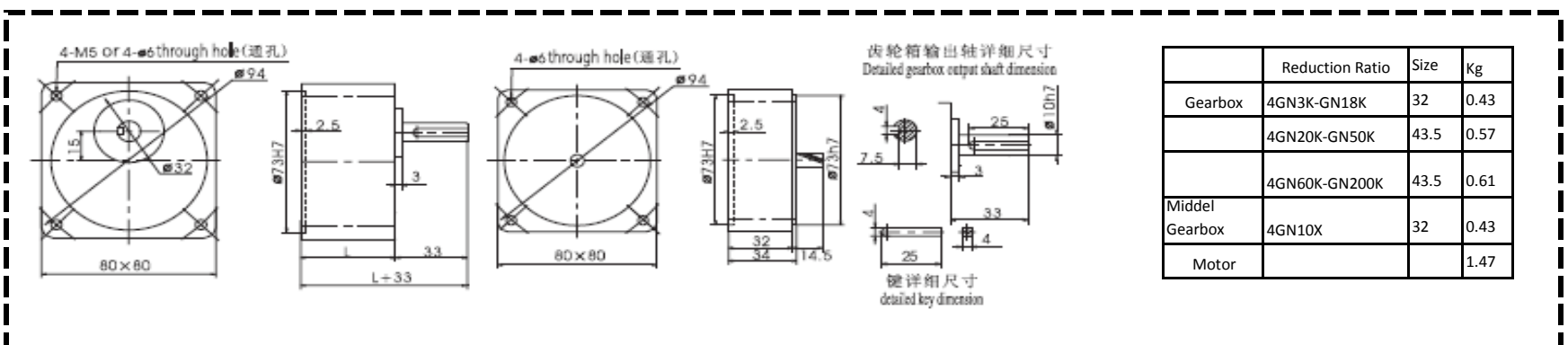
### Gearbox

Frequency	Reduction Ratio		3	3.6	5	6	7.5	9	10	12.5	15	18	20	25	30	36	40	50	60	75	90	100	120	150	180	200
			50HZ	Speed	r/min	500	417	300	250	200	166	150	120	100	83	75	60	50	41	37	30	25	20	16	15	12
	Allowable Torque	N.m	0.52	0.63	0.87	1.05	1.31	1.57	1.74	2.91	2.62	3.15	3.15	3.94	4.72	5.66	6.29	7.12	7.84	7.84	7.84	7.84	7.84	7.84	7.84	7.84
		kgf.cm	5.3	6.4	8.9	10.7	13.4	16	17.8	22.3	26.7	32.1	32.1	40.2	48.2	57.8	64.2	72.6	80	80	80	80	80	80	80	80
60HZ	Speed	r/min	600	500	360	300	240	200	180	144	120	100	90	72	60	50	45	36	30	24	20	18	15	12	10	9
	Allowable Torque	N.m	0.43	0.51	0.72	0.85	1.07	1.28	1.43	1.78	2.15	2.57	2.58	3.22	3.86	4.64	5.16	5.82	6.99	7.84	7.84	7.84	7.84	7.84	7.8	7.8
		kgf.cm	4.4	5.2	7.3	8.7	10.9	13.1	14.6	18.2	21.9	26.2	26.3	32.9	39.4	47.3	52.6	59.4	71.3	80	80	80	80	80	80	80

### Motor Dimension



### Gearhead Dimension



### Compacitor

