

# AC Reversible Motor



## 25 W

**K Series**  
Single Phase  
110/220



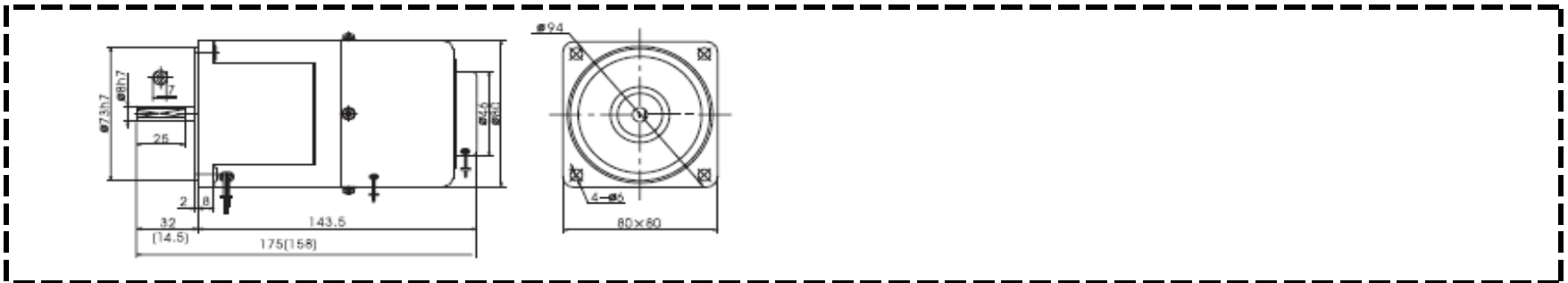
### Motor Specification

Model		Output	Volt	Freq	Pole	Duty	Rated				Start Torque		Capacitor
Motor	Motor With Gear shaft						Speed	Current	Torque		N.m	kgf.cm	
		W	V	Hz	P		r/min	A	N.m	kgf.cm	N.m	kgf.cm	µf/VAC
AR80-1525S4-RM	GR4K25RGN-AM	25	1ph110	50	4	30Min	90-1350	0.20	2.00	0.05	0.18	1.80	8.0/250
AR80-3525S4-RM	GR4K25RGN-CM	25	1ph220	50	4	30Min	90-1350	0.20	2.00	0.05	0.18	1.80	2.2/45

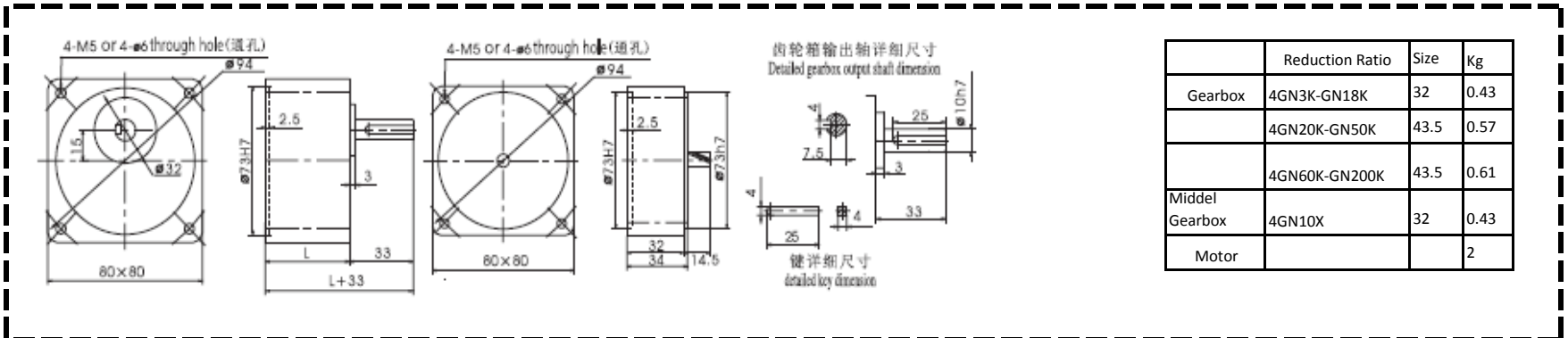
### Gearbox

Frequency	Reduction Ratio		3	3.6	5	6	7.5	9	10	12.5	15	18	20	25	30	36	40	50	60	75	90	100	120	150	180	200
50HZ	Speed	r/min	500	417	300	250	200	166	150	120	100	83	75	60	50	41	37	30	25	20	16	15	12	10	8	7.5
		N.m	0.52	0.63	0.87	1.05	1.31	1.57	1.74	2.91	2.62	3.15	3.15	3.94	4.72	5.66	6.29	7.12	7.84	7.84	7.84	7.84	7.84	7.84	7.84	7.84
	Allowable Torque	kgf.cm	5.3	6.4	8.9	10.7	13.4	16	17.8	22.3	26.7	32.1	32.1	40.2	48.2	57.8	64.2	72.6	80	80	80	80	80	80	80	80
60HZ	Speed	r/min	600	500	360	300	240	200	180	144	120	100	90	72	60	50	45	36	30	24	20	18	15	12	10	9
		N.m	0.43	0.51	0.72	0.85	1.07	1.28	1.43	1.78	2.15	2.57	2.58	3.22	3.86	4.64	5.16	5.82	6.99	7.84	7.84	7.84	7.84	7.84	7.8	7.8
	Allowable Torque	kgf.cm	4.4	5.2	7.3	8.7	10.9	13.1	14.6	18.2	21.9	26.2	26.3	32.9	39.4	47.3	52.6	59.4	71.3	80	80	80	80	80	80	80

### Motor Dimension

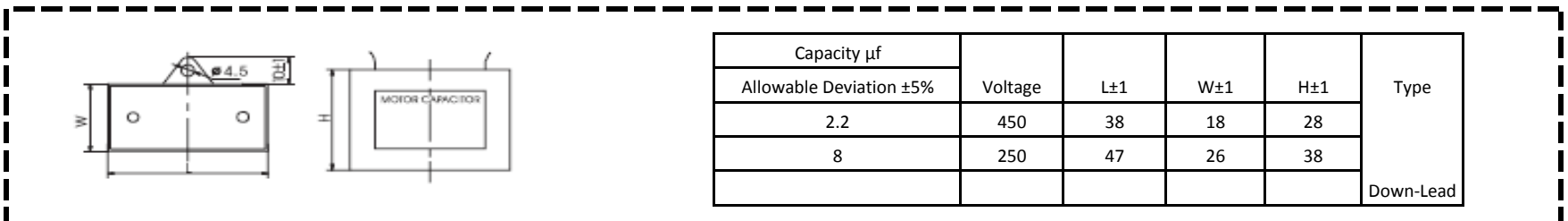


### Gearhead Dimension



	Reduction Ratio	Size	Kg
Gearbox	4GN3K-GN18K	32	0.43
	4GN20K-GN50K	43.5	0.57
	4GN60K-GN200K	43.5	0.61
Middel Gearbox	4GN10X	32	0.43
Motor			2

### Compacitor



Capacity µf	Voltage	L±1	W±1	H±1	Type
Allowable Deviation ±5%					
2.2	450	38	18	28	Down-Lead
8	250	47	26	38	

