

AC Reversible Motor



25 W

K Series
Single Phase
110/220



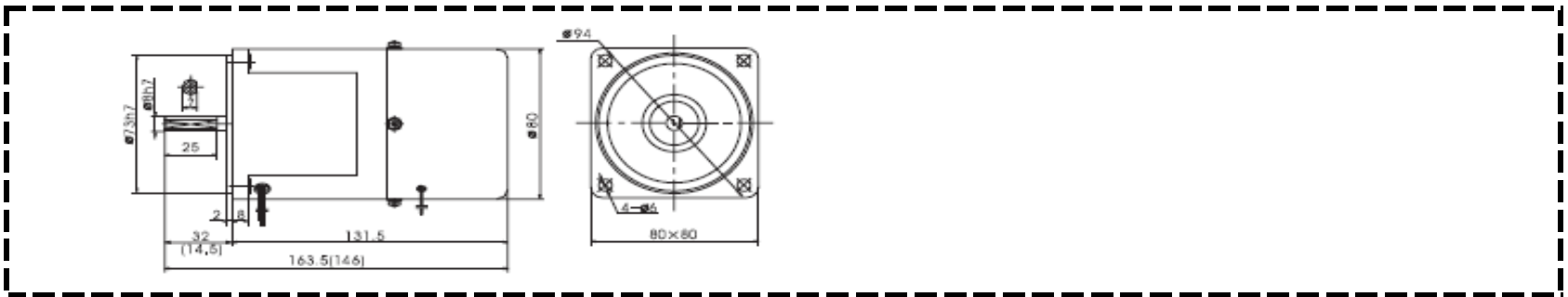
Motor Specification

Model		Output W	Volt V	Freq Hz	Pole P	Duty	Rated				Start Torque		Capacitor µf/VAC
Motor	Motor With Gear shaft						Speed r/min	Current A	Torque N.m	kgf.cm	N.m	kgf.cm	
AR80-1525S4	GR4K25GN-A	25	1ph110	50	4	30Min	1350	0.48	0.18	1.80	0.17	1.65	8.0/250
AR80-1525S4	GR4K25GN-C	25	1ph220	50	4	30Min	1350	0.28	0.18	1.80	0.20	2.00	2.2/45

Gearbox

Frequency	Ratio	3	3.6	5	6	7.5	9	10	12.5	15	18	20	25	30	36	40	50	60	75	90	100	120	150	180	200	
50HZ	Speed	r/min	500	417	300	250	200	166	150	120	100	83	75	60	50	41	37	30	25	20	16	15	12	10	8	7.5
	Allowable Torque	N.m	0.52	0.63	0.87	1.05	1.31	1.57	1.74	2.91	2.62	3.15	3.15	3.94	4.72	5.66	6.29	7.12	7.84	7.84	7.84	7.84	7.84	7.84	7.84	7.84
kgf.cm		5.3	6.4	8.9	10.7	13.4	16	17.8	22.3	26.7	32.1	32.1	40.2	48.2	57.8	64.2	72.6	80	80	80	80	80	80	80	80	
60HZ	Speed	r/min	600	500	360	300	240	200	180	144	120	100	90	72	60	50	45	36	30	24	20	18	15	12	10	9
	Allowable Torque	N.m	0.43	0.51	0.72	0.85	1.07	1.28	1.43	1.78	2.15	2.57	2.58	3.22	3.86	4.64	5.16	5.82	6.99	7.84	7.84	7.84	7.84	7.84	7.84	7.8
kgf.cm		4.4	5.2	7.3	8.7	10.9	13.1	14.6	18.2	21.9	26.2	26.3	32.9	39.4	47.3	52.6	59.4	71.3	80	80	80	80	80	80	80	

Motor Dimension



Gearhead Dimension

	Reduction Ratio	Size	Kg
Gearbox	4GN3K-GN18K	32	0.43
	4GN20K-GN50K	43.5	0.57
	4GN60K-GN200K	43.5	0.61
Middel Gearbox	4GN10X	32	0.43
Motor			2

Compacitor

Capacity µf	Voltage	L±1	W±1	H±1	Type
Allowable Deviation ±5%					
2.2	450	38	18	28	
8	250	47	26	38	
					Down-Lead

