

# AC Reversible Motor



## 40 W

**K Series**  
Single Phase  
110/220



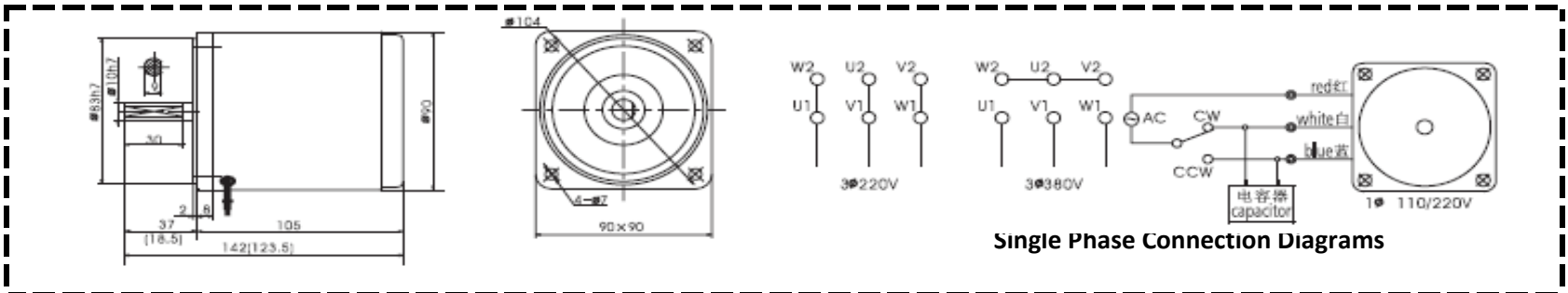
### Motor Specification

Model		Output W	Volt V	Freq Hz	Pole P	Duty	Rated				Start Torque		Capacitor µf/VAC
Motor	Motor With Gear shaft						Speed r/min	Current A	Torque N.m	kgf.cm	N.m	kgf.cm	
AR90-1540S4	GR5K40GN-A	40	1ph110	50	4	30Min	1350	0.68	0.29	2.85	0.30	3.00	12.0/250
AR90-3540S4	GR5K40GN-C	40	1ph220	50	4	30Min	1350	0.35	0.29	2.85	0.30	3.00	3.0/450

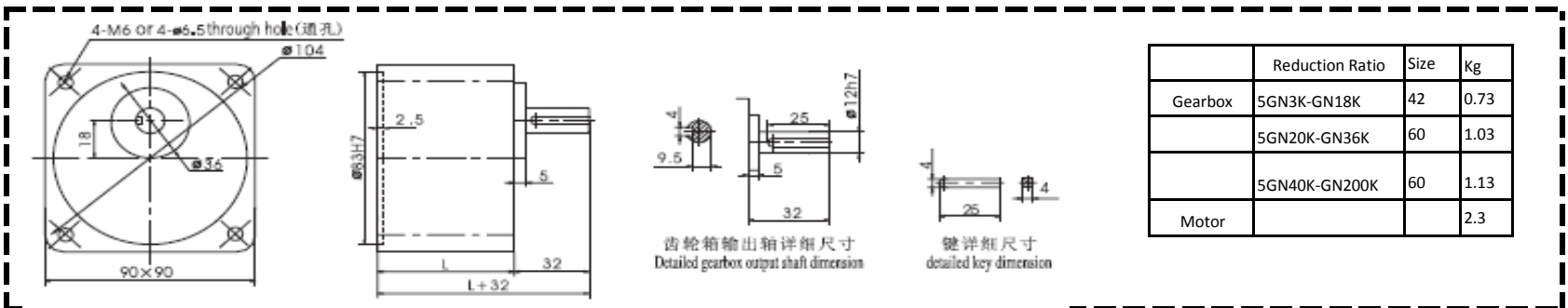
### Gearbox

Frequency	Ratio	3	3.6	5	6	7.5	9	10	12.5	15	18	20	25	30	36	40	50	60	75	90	100	120	150	180	200	
50HZ	Speed	r/min	500	417	300	250	200	166	150	120	100	83	75	60	50	41	37	30	25	20	16	15	12	10	8	7.5
	Allowable Torque	N.m	0.68	0.82	1.14	1.37	1.72	2.06	2.29	2.86	3.43	4.13	4.59	5.16	6.2	7.44	8.26	9.8	9.8	9.8	9.8	9.8	9.8	9.8	9.8	9.8
60HZ	Speed	r/min	600	500	360	300	240	200	180	144	120	100	90	72	60	50	45	36	30	24	20	18	15	12	10	9
	Allowable Torque	N.m	0.58	0.7	0.97	1.16	1.45	1.74	1.93	2.41	2.9	3.48	3.87	4.36	5.23	6.28	6.97	8.72	9.46	9.8	9.8	9.8	9.8	9.8	9.8	9.8
		kgf.cm	5.92	7.14	9.9	11.8	10.8	17.7	19.7	24.6	29.6	35.5	39.5	44.5	53.4	64.1	71.1	89	96.5	100	100	100	100	100	100	100

### Motor Dimension



### Gearhead Dimension



### Compacitor

