

## K Series

# 60 W



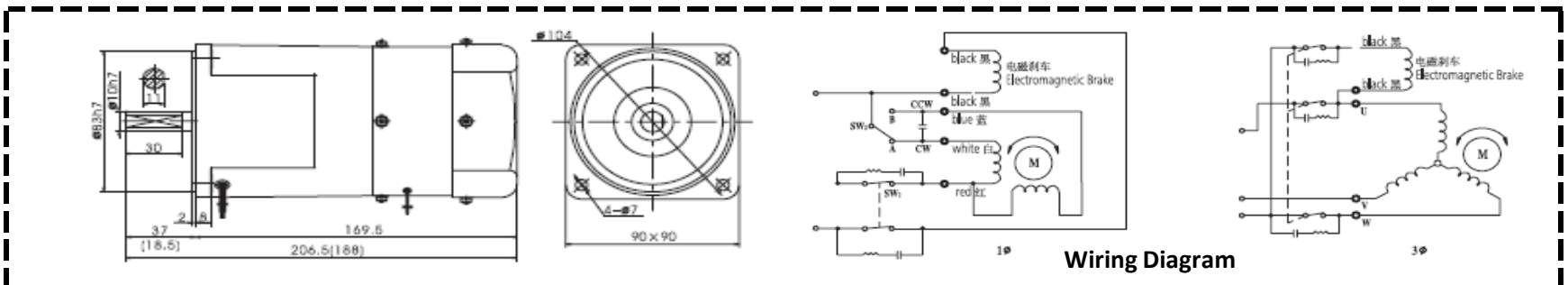
### Motor Specification

Model		Output	Volt	Freq	Pole	Duty	Rated				Start Torque		Capacitor
Motor	Motor With Gear shaft						Speed	Current	Torque		N.m	kgf.cm	
		W	V	Hz	P		r/min	A	N.m	kgf.cm	N.m	kgf.cm	μf/VAC
AR90-1560S4-MF	GR5K60GN-AMF	60	1ph110	50	4	30Min	1350	1.10	0.44	4.40	0.45	4.50	18.0/250
AR90-3560S4-MF	GR5K60GN-CMF	60	1ph110	50	4	30Min	1350	0.54	0.44	4.40	0.45	4.50	4.5/450
AR90-3560T4-MF	GR5K60GN-SMF	60	3p220	50	4	30Min	1350	0.49	0.46	4.55	1.70	17.00	/
AR90-10560T4-MF	GR5K60GN-S <sub>3</sub> MF	60	3ph380	50	4	30Min	1350	0.28	0.46	4.55	1.70	17.00	/

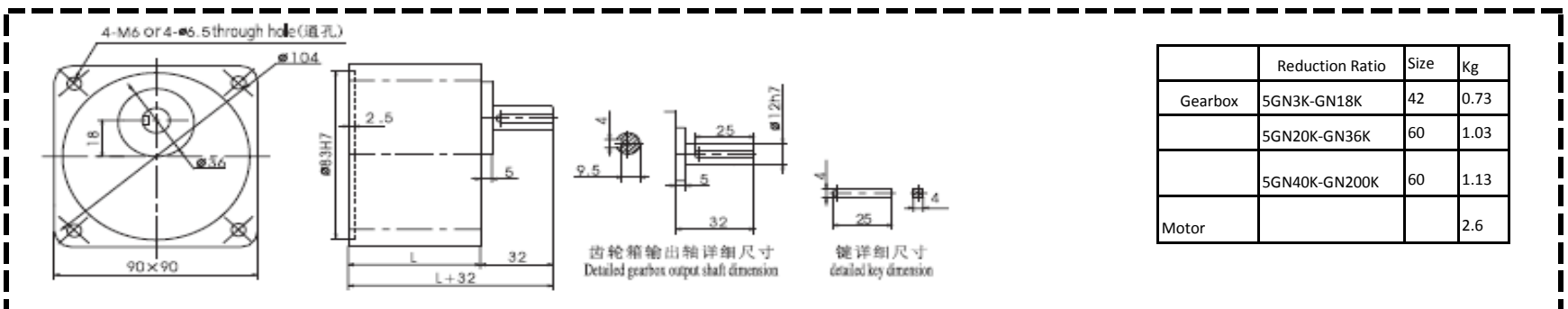
### Gearbox

Frequency	Reduction Ratio		3	3.6	5	6	7.5	9	10	12.5	15	18	20	25	30	36	40	50	60	75	90	100	120	150	180	200
50HZ	Speed	r/min	500	417	300	250	200	166	150	120	100	83	75	60	50	41	37	30	25	20	16	15	12	10	8	7.5
	Allowable Torque	N.m	1.03	1.24	1.72	2.6	2.58	3.1	3.1	3.88	4.65	5.38	5.6	7.01	8.41	10.1	11.2	14	16.8	19.6	19.6	19.6	19.6	19.6	19.6	19.6
60HZ	Speed	r/min	600	500	360	300	240	200	180	144	120	100	90	72	60	50	45	36	30	24	20	18	15	12	10	9
	Allowable Torque	N.m	0.9	1.08	1.5	1.8	2.23	2.7	2.7	3.38	4.05	4.88	4.88	6.1	7.33	8.79	9.76	12.2	14.6	18.3	19.6	19.6	19.6	19.6	19.6	19.6
		kgf.cm	9.18	11	15.3	18.4	23	27.6	27.6	34.5	41.3	49.5	49.5	62.2	74.7	90	99.8	124	149	187	200	200	200	200	200	200

### Motor Dimension



### Gearhead Dimension



### Compacitor

