

K Series

60 W



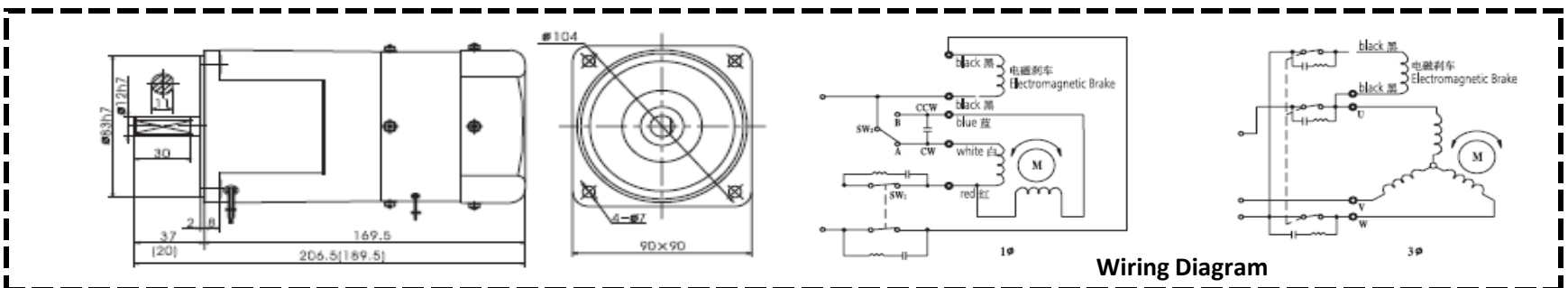
Motor Specification

| Motor | Model | Output | Volt | Freq | Pole | Duty | Rated | | | | Start Torque | | Capacitor |
|-----------------|----------------------------|--------|--------|------|------|-------|-------|---------|--------|--------|--------------|--------|-----------|
| | | | | | | | Speed | Current | Torque | | N.m | kgf.cm | |
| | | W | V | Hz | P | | r/min | A | N.m | kgf.cm | N.m | kgf.cm | µf/VAC |
| AR90-1560S4-MP | GR5K60GU-AMP | 60 | 1ph110 | 50 | 4 | 30Min | 1350 | 1.10 | 0.44 | 4.40 | 0.45 | 4.50 | 18.0/250 |
| AR90-3560S4-MP | GR5K60GU-CMP | 60 | 1ph220 | 50 | 4 | 30Min | 1350 | 0.54 | 0.44 | 4.40 | 0.45 | 4.50 | 4.5/450 |
| AR90-3560T4-MP | GR5K60GU-SMP | 60 | 3ph220 | 50 | 4 | 30Min | 1350 | 0.49 | 0.46 | 4.55 | 1.70 | 17.00 | / |
| AR90-10560T4-MP | GR5K60GU-S ₃ MP | 60 | 3ph380 | 50 | 4 | 30Min | 1350 | 0.28 | 0.46 | 4.55 | 1.70 | 17.00 | / |

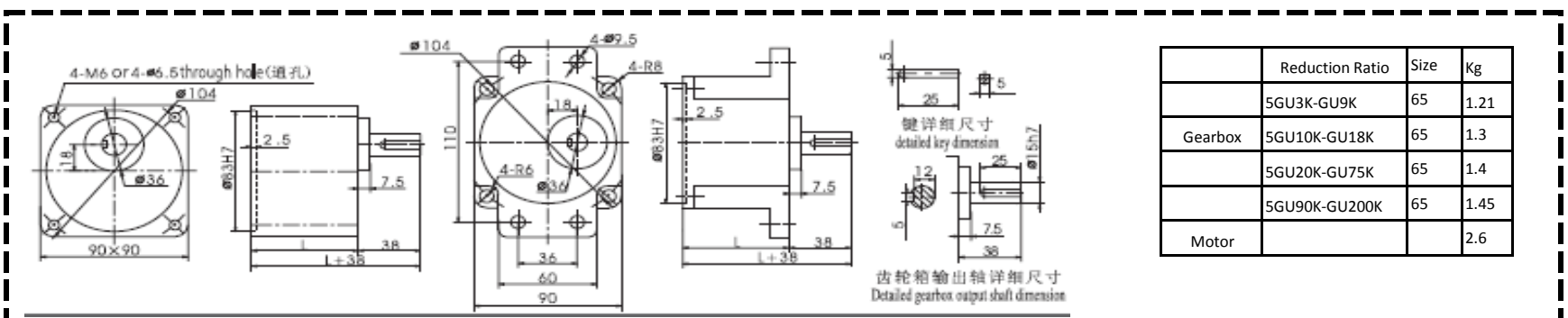
Gearbox

| Frequency | Reduction Ratio | | 3 | 3.6 | 5 | 6 | 7.5 | 9 | 10 | 12.5 | 15 | 18 | 20 | 25 | 30 | 36 | 40 | 50 | 60 | 75 | 90 | 100 | 120 | 150 | 180 | 200 |
|-----------|------------------|--------|------|-------|-------|------|------|------|------|------|------|------|------|------|------|------|------|------|------|------|------|------|------|------|------|------|
| | | | 50HZ | Speed | r/min | 500 | 417 | 300 | 250 | 200 | 166 | 150 | 120 | 100 | 83 | 75 | 60 | 50 | 41 | 37 | 30 | 25 | 20 | 16 | 15 | 12 |
| | Allowable Torque | N.m | 1.03 | 1.24 | 1.72 | 2.6 | 2.58 | 3.1 | 3.1 | 3.88 | 4.65 | 5.38 | 5.6 | 7.01 | 8.41 | 10.1 | 11.2 | 14 | 16.8 | 19.6 | 19.6 | 19.6 | 19.6 | 19.6 | 19.6 | 19.6 |
| | | kgf.cm | 10.5 | 12.7 | 17.6 | 21 | 26.3 | 31.6 | 31.6 | 39.6 | 47.4 | 54.9 | 57.1 | 71.6 | 85.8 | 103 | 114 | 143 | 171 | 200 | 200 | 200 | 200 | 200 | 200 | 200 |
| 60HZ | Speed | r/min | 600 | 500 | 360 | 300 | 240 | 200 | 180 | 144 | 120 | 100 | 90 | 72 | 60 | 50 | 45 | 36 | 30 | 24 | 20 | 18 | 15 | 12 | 10 | 9 |
| | Allowable Torque | N.m | 0.9 | 1.08 | 1.5 | 1.8 | 2.23 | 2.7 | 2.7 | 3.38 | 4.05 | 4.88 | 4.88 | 6.1 | 7.33 | 8.79 | 9.76 | 12.2 | 14.6 | 18.3 | 19.6 | 19.6 | 19.6 | 19.6 | 19.6 | |
| | | kgf.cm | 9.18 | 11 | 15.3 | 18.4 | 23 | 27.6 | 27.6 | 34.5 | 41.3 | 49.5 | 49.5 | 62.2 | 74.7 | 90 | 99.8 | 124 | 149 | 187 | 200 | 200 | 200 | 200 | 200 | 200 |

Motor Dimension



Gearhead Dimension



Compacitor

