

Universal AC Motor



Lamination Dimension $\Phi 45\text{mm}$

AU4515

AU4520

AU4525

AU4530

AU4540



Typical Applications: Egg Mixer

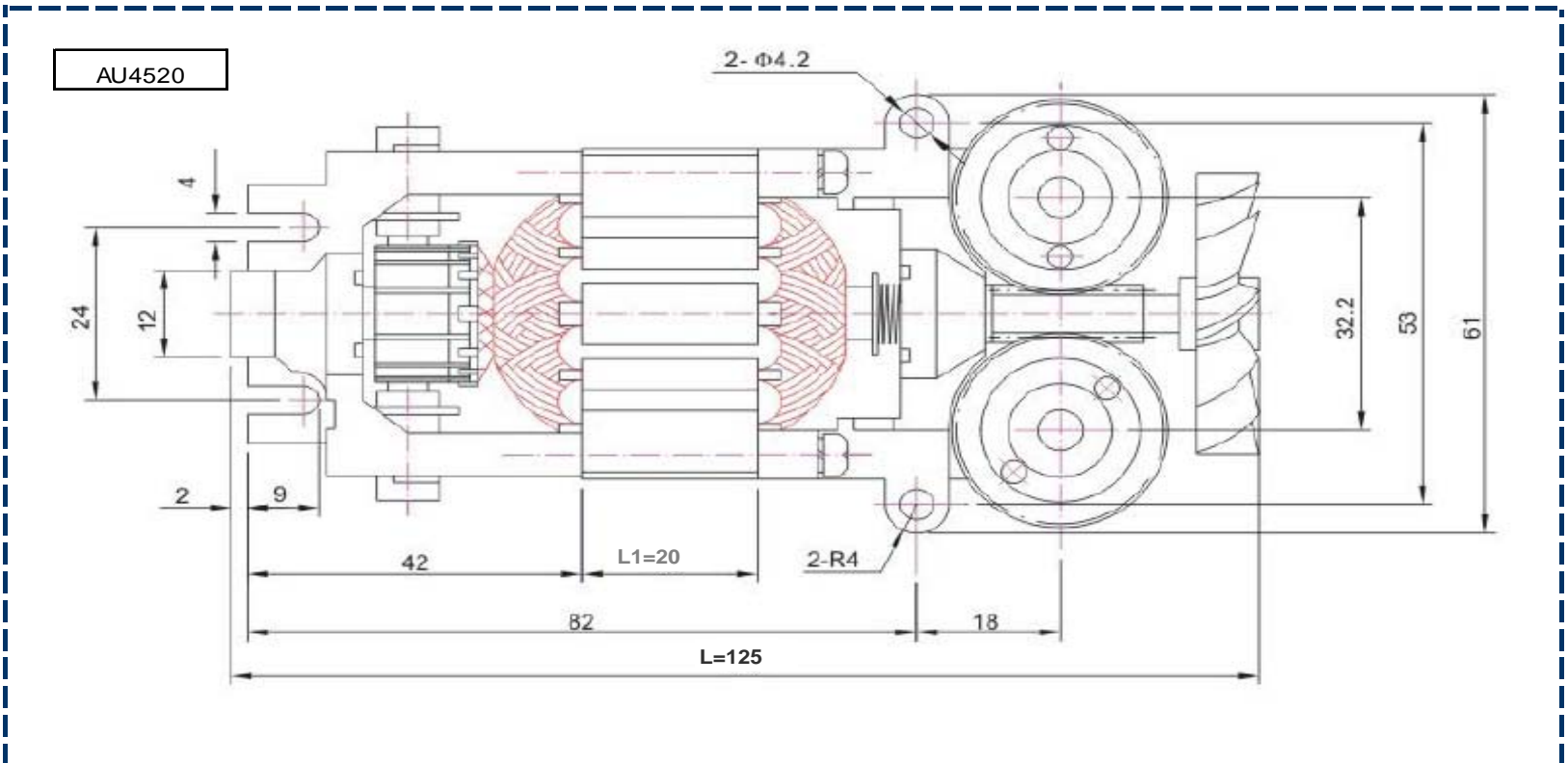
Lamination Dimension: 45x45mm

Shaft Diameter: $\Phi 7.14\text{mm}$

Specification

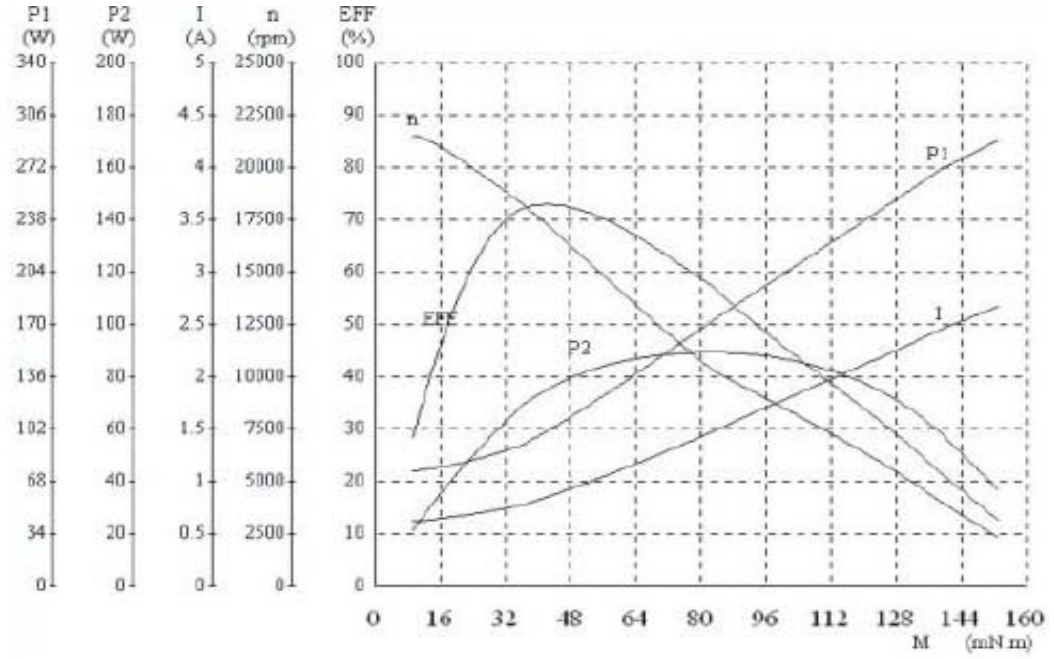
Model	L (mm)	Stake Length (mm)	Nominal Voltage (V)	Frequency (Hz)	No Load			At Maximum Efficiency				Output Power (W)
					Speed	Current	Input	Efficiency	Torque	Speed	Current	
					(rpm)	(A)	(W)	(%)	(mN.m)	(Rpm)	(mN.m)	
AU4515	131.5	15	120	60	20340	1	102.6	52.5	49.4	16152	1.351	83.64
AU4520	125	20	120	60	21418	1	72.06	75.5	50.6	15983	0.938	84.74
AU4525	130	25	220	50	17542	0	64.5	35.7	47.8	9426	0.697	47.25
AU4530	147	30	220	50	21452	0	89	70.2	68.1	14459	0.646	103.1
AU4540	157	40	220	50	18753	0	84.45	56.9	62.2	13287	0.696	86.52

Outline Drawing - Representative Model



Performance Curve - Representative Model

AU4520



9812 Whithorn Dr., Houston, TX 77095, Phone: 281.855.2218, Fax: 281.859.8825, Email: motors@telcointercon.com