

# Universal AC Motor



Lamination Dimension  $\Phi 46\text{mm}$

AU4620&AU4630



AU4638



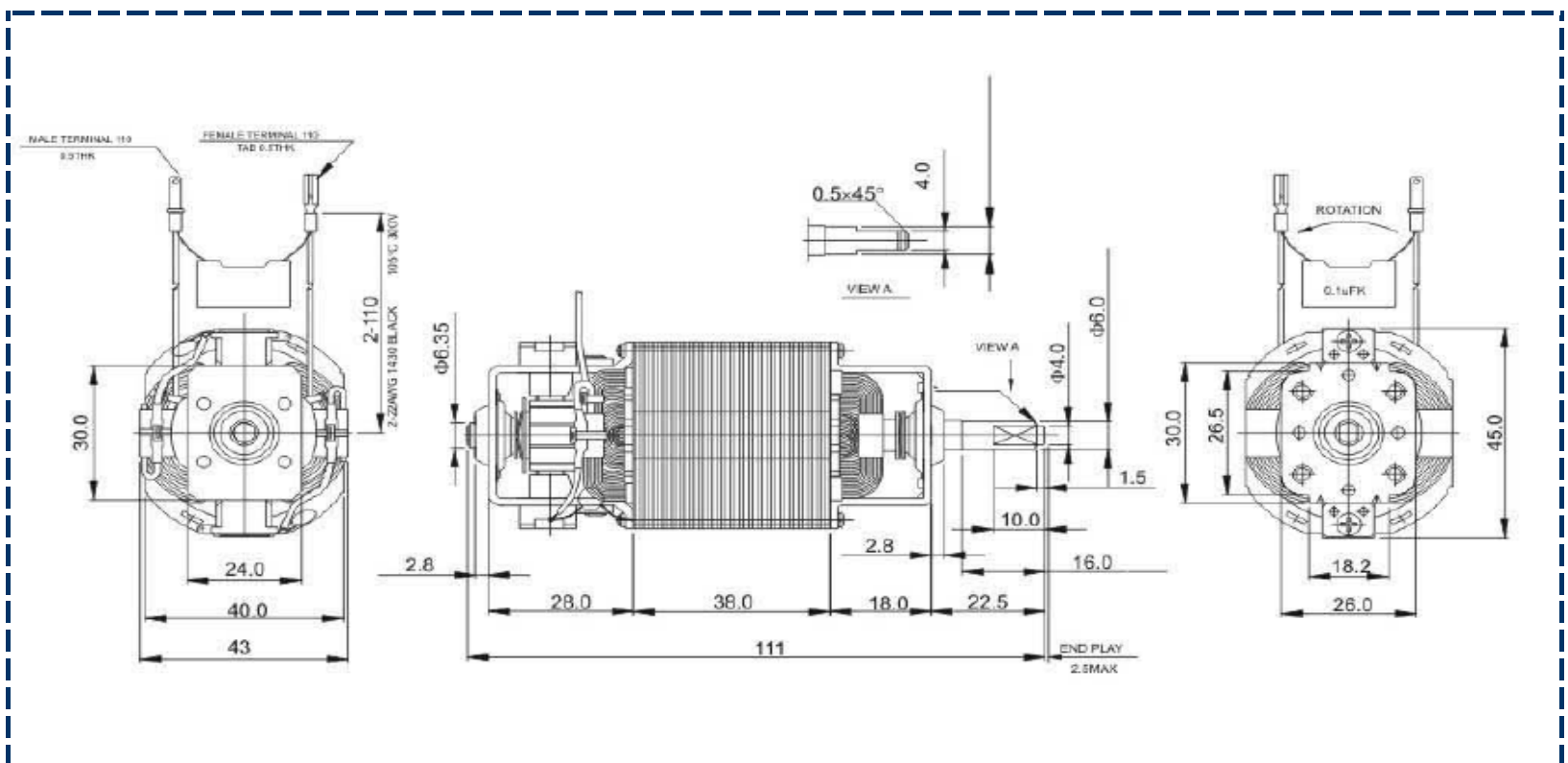
**Typical Applications:** Juicer  
Blender  
Office Automation facilities

**Lamination Dimension:**  $\Phi 46\text{mm}$   
**Shaft Diameter:**  $\Phi 6.0\text{mm}$   
and as requested

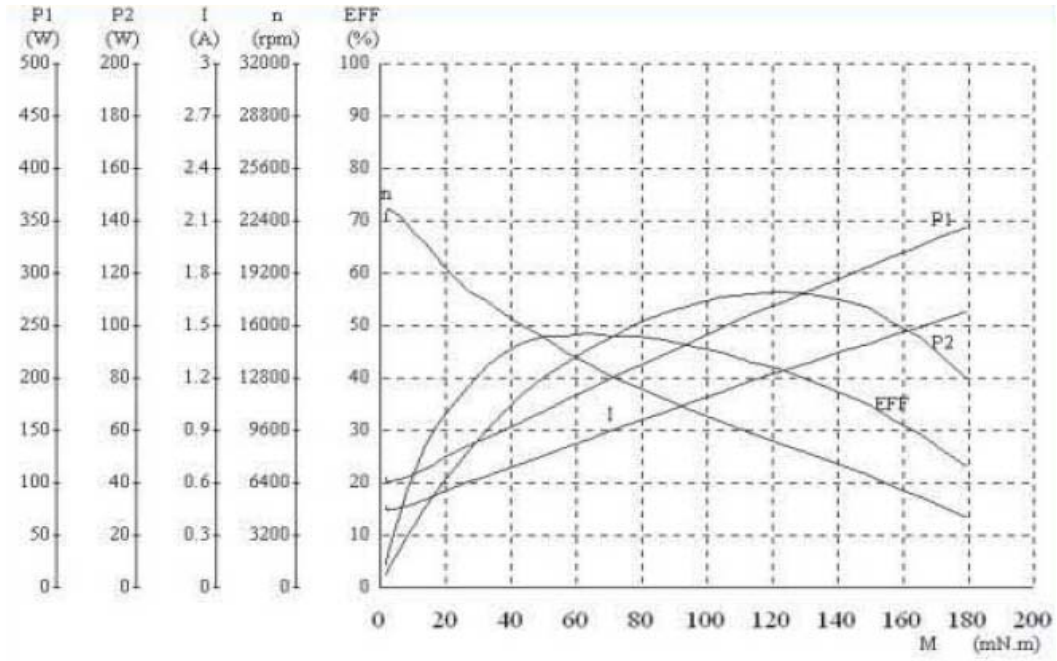
## Specification

Model	L (mm)	Stake Length (mm)	Nominal Voltage (V)	Frequency (Hz)	No Load			At Maximum Efficient				Output Power (W)
					Speed	Current	Input	Efficiency	Torque	Speed	Current	
					(rpm)	(A)	(W)	(%)	(mN.m)	(Rpm)	(mN.m)	
AU4620-10	82	20	100	50/60	13000				60.0			28
AU4620-12	82	20	120	60	13000				60.0			28
AU4620-23	82	20	230	50	13000				60.0			28
AU4630-10	92	30	100	50/60	12500				130.0			38
AU4630-12	92	30	100	60	12500				130.0			38
AU4630-23	92	30	100	50	12500				130.0			38
AU4638	111	38	230	50	22478	0.461	104.7	48.3	63.8	13621	0.847	90.98

## Outline Drawing - Representative Model



**Performance Curve - Representative Model**



9812 Whithorn Dr., Houston, TX 77095, Phone: 281.855.2218, Fax: 281.859.8825, Email: [motors@telcointercon.com](mailto:motors@telcointercon.com)