

Universal AC Motor



Lamination Dimension $\Phi 54\text{mm}$

AU5412



AU5415



AU5420



AU5421



AU5425



AU5430



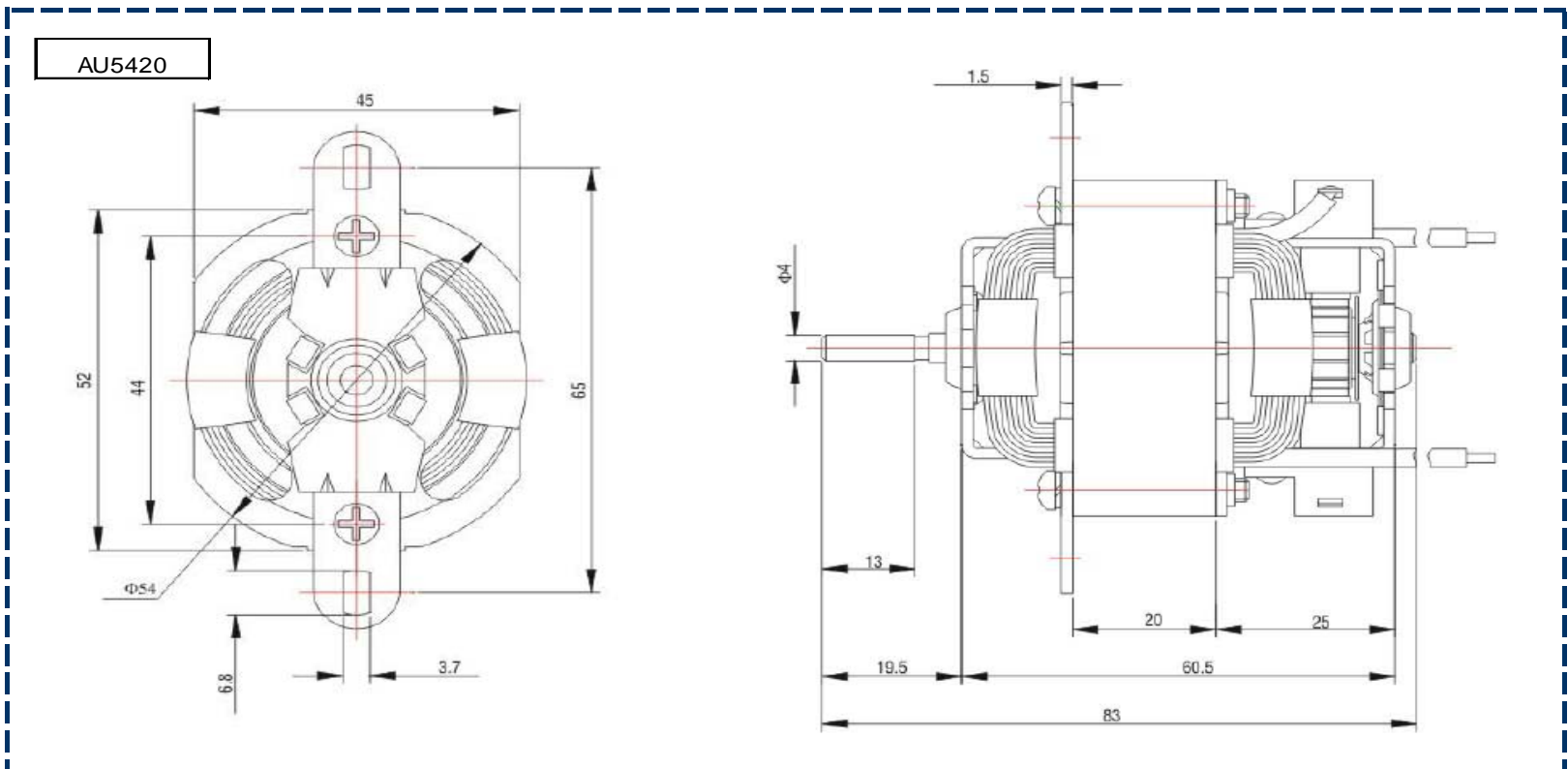
Typical Applications: Juicer
Blender
Soya-bean machine
Hair Dryer
Food Processor

Lamination Dimension: $\Phi 54$
Shaft Diameter: $\Phi 4.0\text{mm}$, $\Phi 4.5\text{mm}$, $\Phi 8.0\text{mm}$ $\Phi 6.35\text{mm}$

Specification

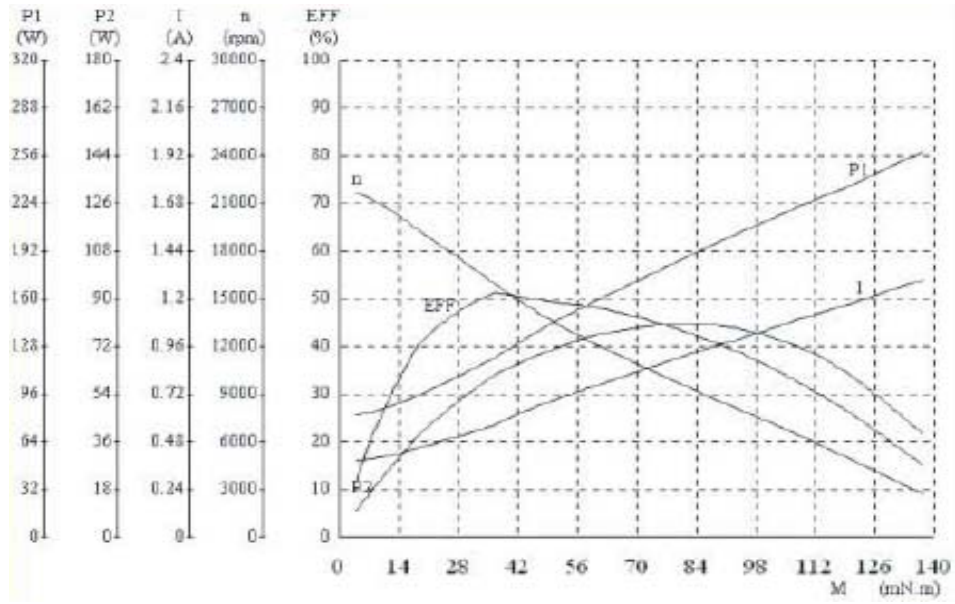
Model	L (mm)	Stake Length (mm)	Nominal Voltage (V)	Frequency (Hz)	No Load			At Maximum Efficiency				Output Power (W)
					Speed	Current	Input	Efficiency	Torque	Speed	Current	
					(rpm)	(A)	(W)	(%)	(mN.m)	(Rpm)	(mN.m)	
AU5412	71	12	220	50	23133	0.433	92.53	44.2	29.8	17630	0.586	55.04
AU5415	81.5	15	220	50	26000	0.260	57	54.7	50.0	14610	0.660	76.48
AU5420	83	20	230	50	22377	0.467	78.59	51.5	36.5	15963	0.563	61.03
AU5421	82	21	230	50	23398	0.404			52.1	15408	0.716	
AU5425	119	25	220	50	20511	0.264	82.22	48.2	53.3	11759	0.689	61.84
AU5430	107	30	230	50	29000	0.350	78	52.3	82.0	12969	0.960	111.3

Outline Drawing - Representative Model



Performance Curve - Representative Model

AU5420



9812 Whithorn Dr., Houston, TX 77095, Phone: 281.855.2218, Fax: 281.859.8825, Email: motors@telcointercon.com