

Universal AC Motor



Lamination Dimension $\Phi 63\text{mm}$

AU6330



AU6335



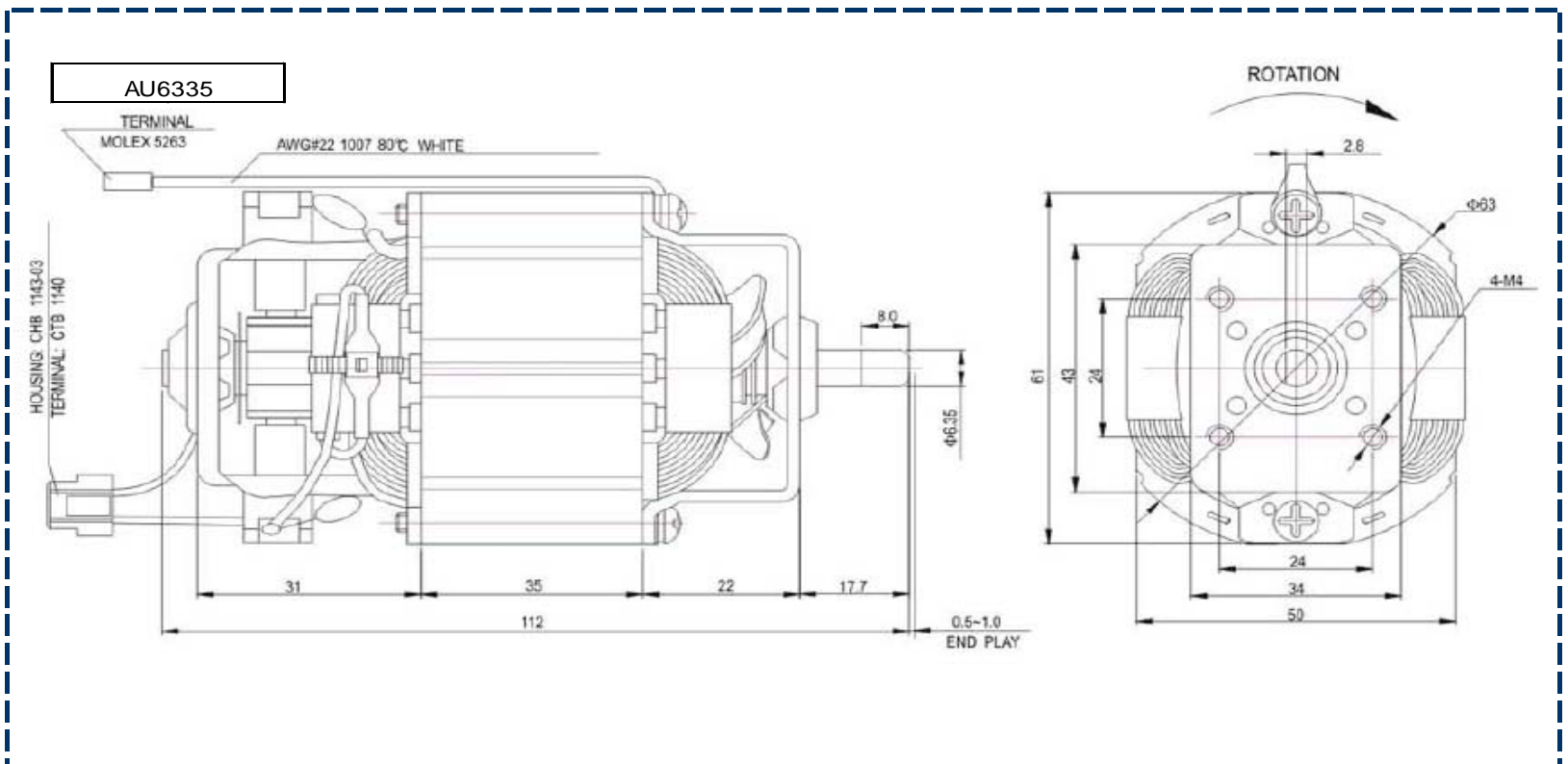
Typical Applications: Juicer
Blender
Soya-bean Machine

Lamination Dimension: $\Phi 63\text{mm}$
Shaft Diameter: $\Phi 6.35\text{mm}$

Specification

Model	L (mm)	Stake Length (mm)	Nominal Voltage (V)	Frequency (Hz)	No Load			At Maximum Efficiency				Output Power (W)
					Speed (rpm)	Current (A)	Input (W)	Efficiency (%)	Torque (mN.m)	Speed (Rpm)	Current (mN.m)	
AU6330	162	30	220	50	17611	0.439	97	58	107.50	10381	0.937	116.8
AU6335	112	35	220	50	16505	1.174	114.8	52.7	113.80	9894	2.500	117.8

Outline Drawing - Representative Model



Performance Curve - Representative Model

AU6335

