

Universal AC Motor



Lamination Dimension $\Phi 63\text{mm}$

AU7630



AU7640



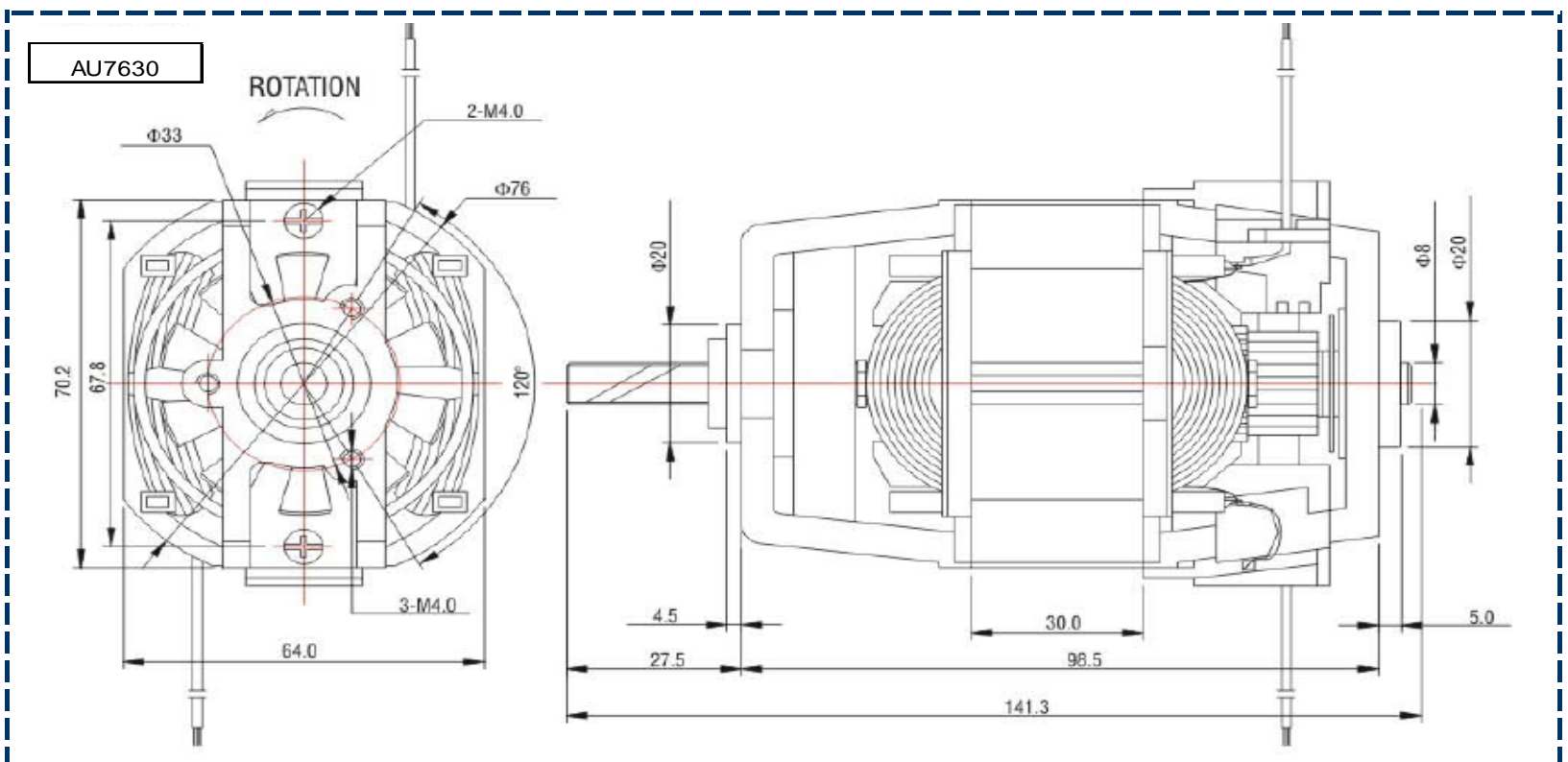
Typical Applications: Juicer
Blender
Soya-bean Machine

Lamination Dimension: $\Phi 76\text{mm}$
Shaft Diameter: $\Phi 8.0\text{mm}$

Specification

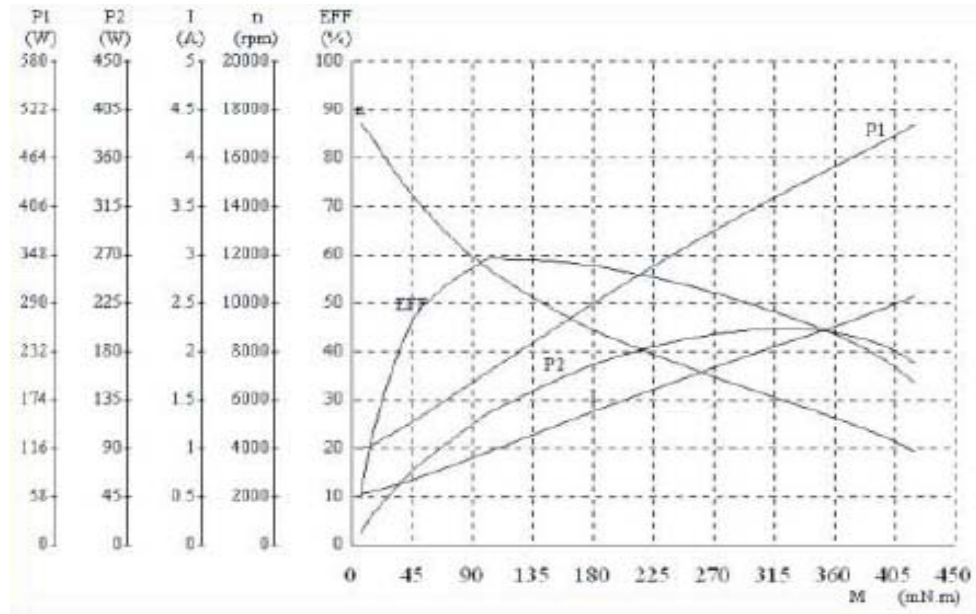
Model	L (mm)	Stake Length (mm)	Nominal Voltage (V)	Frequency (Hz)	No Load			At Maximum Efficiency				Output Power (W)
					Speed	Current	Input	Efficiency	Torque	Speed	Current	
					(rpm)	(A)	(W)	(%)	(mN.m)	(Rpm)	(mN.m)	
AU7630	141.3	30	220	50	17810	0.538	117.5	59.1	101.8	11426	1	121.8
AU7640-11	166	40	115		18420	1.533			223.40	9484	3.701	221.8
AU7640-22	166	40	220		18851	0.794			192.20	10582	1.710	213

Outline Drawing - Representative Model



Performance Curve - Representative Model

AU7630



9812 Whithorn Dr., Houston, TX 77095, Phone: 281.855.2218, Fax: 281.859.8825, Email: motors@telcointercon.com