

12mm Brushless DC Motor



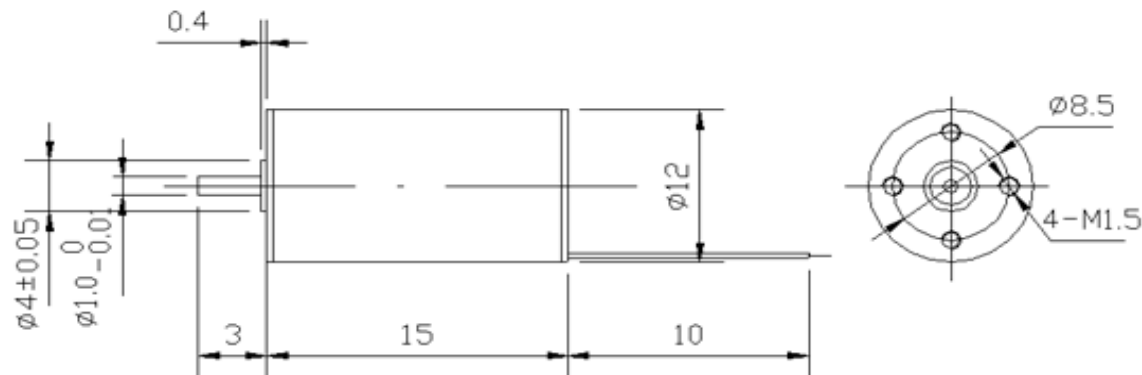
1215

General Specifications

Number of phases	3
Number of poles	2
Operating temperature range	-15°C ~ 45°C
Commutation	Electrically commutated
Bearing type	Shielded ball bearings
Housing material	Black anodized aluminum
Magnet material	Sintered Nd-Fe-B
Direction of rotation	Reversible
Insulation Class	Class B (130°C max.)
Dielectric strength	500 VDC for one minute
Insulation resistance	100Mohms min., 500VDC

Model		DM1215-06	DM1215-03	DM1215-07		
Voltage	V	6	3.7	7.4		
Rated Speed	RPM	≥8500	≥28300	≥27400		
Rated Current	A	≤2	≤1.21	≤0.8		
Rated Torque	mNm	0.98	0.98	0.98		
No-Load Speed	RPM	16000~20000	≥54000	≥43200		
No-Load Current	A	≤0.06	≤0.29	≤0.08		
Weight	g	7.8	7.8	7.8		
Motor Body Length	"L"	15	15	15		

OUTLINE DRAWING



12mm Brushless DC Motor



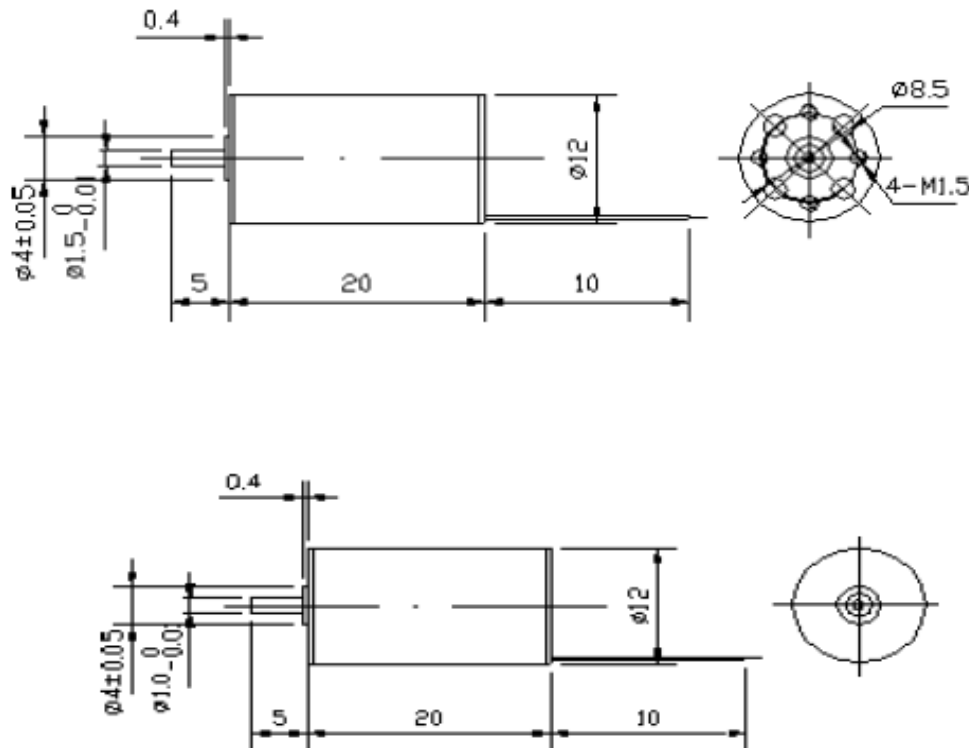
1220

General Specifications

Number of phases	3
Number of poles	2
Operating temperature range	-15°C ~ 45°C
Commutation	Electrically commutated
Bearing type	Shielded ball bearings
Housing material	Black anodized aluminum
Magnet material	Sintered Nd-Fe-B
Direction of rotation	Reversible
Insulation Class	Class B (130°C max.)
Dielectric strength	500 VDC for one minute
Insulation resistance	100Mohms min., 500VDC

Model		DM1220-05	DM1220-07	DM1220-03		
Voltage	V	5	7.4	3.7		
Rated Speed	RPM	≥8200	≥8500	≥12180		
Rated Current	A	≤0.1	≤1.5	≤0.63		
Rated Torque	mNm	0.49	0.98	0.98		
No-Load Speed	RPM	≥12200	≥21500	≥18240		
No-Load Current	A	≤0.05	≤0.15	≤0.15		
Weight	g	11	11	9.8		
Motor Body Length	"L"	20	20	20		

OUTLINE DRAWING



12mm Brushless DC Motor



1230

General Specifications

Number of phases	3
Number of poles	2
Operating temperature range	-15°C ~ 45°C
Commutation	Electrically commutated
Bearing type	Shielded ball bearings
Housing material	Black anodized aluminum
Magnet material	Sintered Nd-Fe-B
Direction of rotation	Reversible
Insulation Class	Class B (130°C max.)
Dielectric strength	500 VDC for one minute
Insulation resistance	100Mohms min., 500VDC

Model		DM1230-07	DM1230-09	DM1230-12		
Voltage	V	7.4	9	12		
Rated Speed	RPM	≥15600	≥3500	≥6300		
Rated Current	A	≤2.5	≤1.8	≤1.65		
Rated Torque	mNm	4.9	9.8	9.8		
No-Load Speed	RPM	≥27000	≥17500	≥18200		
No-Load Current	A	≤0.18	≤0.13	≤0.09		
Weight	g	11	11	9.8		
Motor Body Length	"L"	30	30	30		

OUTLINE DRAWING

