

20mm Brushless DC Motor



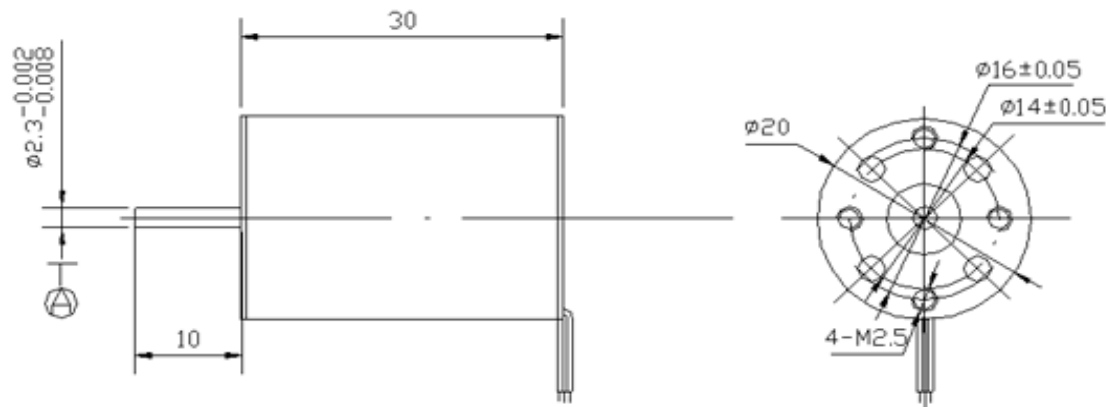
2030

General Specifications

Number of phases	3
Number of poles	2
Operating temperature range	-15°C ~ 45°C
Commutation	Electrically commutated
Bearing type	Shielded ball bearings
Housing material	Black anodized aluminum
Magnet material	Sintered Nd-Fe-B
Direction of rotation	Reversible
Insulation Class	Class B (130°C max.)
Dielectric strength	500 VDC for one minute
Insulation resistance	100Mohms min., 500VDC

Model		DM2030-11				
Nominal Voltage	V	11.1				
Rated Speed	RPM	≥4500				
Rated Current	A	≤8.5				
Rated Torque	mNm	1047 Propeller				
No-Load Speed	RPM	≥51000				
No-Load Current	A	≤1.5				
Weight	g	46				
Motor Body Length	"L"	30				

Outline Drawing



20mm Brushless DC Motor



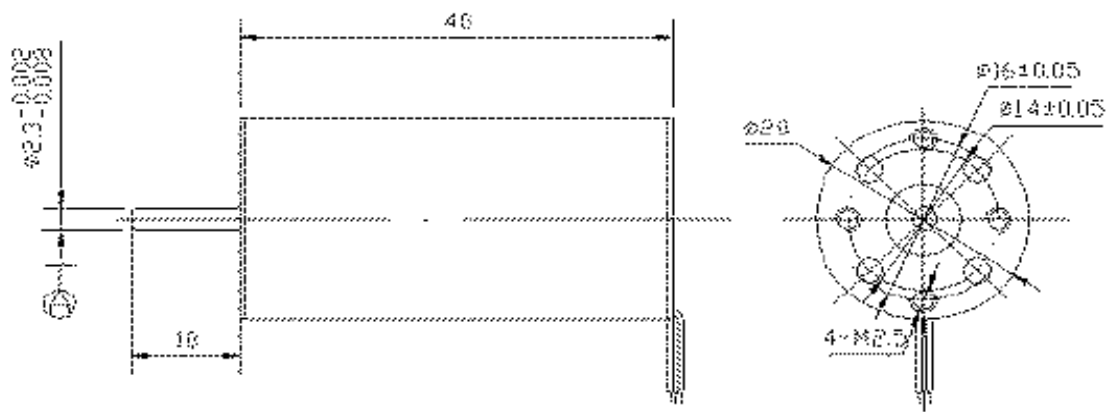
2040

General Specifications

Number of phases	3
Number of poles	2
Operating temperature range	-15°C ~ 45°C
Commutation	Electrically commutated
Bearing type	Shielded ball bearings
Housing material	Black anodized aluminum
Magnet material	Sintered Nd-Fe-B
Direction of rotation	Reversible
Insulation Class	Class B (130°C max.)
Dielectric strength	500 VDC for one minute
Insulation resistance	100Mohms min., 500VDC

Model		TBL2040-11	TBL2040-11	TBL2040-11	TBL2040-11	
Nominal Voltage	V	11.5	11.5	11.5	11.5	
Rated Speed	RPM	≥27000	≥28000	≥29000	≥29000	
Rated Current	A	≤13.5	≤16.5	≤18.5	≤31	
Rated Torque	mNm	1280 Propeller	1280 Propeller	1280 Propeller	1365 Propeller	
No-Load Speed	RPM	≥41500	≥48000	≥51000	≥62000	
No-Load Current	A	≤1.0	≤1.5	≤1.5	≤2.5	
Weight	g	62	62	62	62	
Motor Body Length	"L"	40	40	40	40	

Outline Drawing



20mm Brushless DC Motor



2050

General Specifications

Number of phases	3
Number of poles	2
Operating temperature range	-15°C ~ 45°C
Commutation	Electrically commutated
Bearing type	Shielded ball bearings
Housing material	Black anodized aluminum
Magnet material	Sintered Nd-Fe-B
Direction of rotation	Reversible
Insulation Class	Class B (130°C max.)
Dielectric strength	500 VDC for one minute
Insulation resistance	100Mohms min., 500VDC

Model		TBL2050-11	TBL2050-36			
Nominal Voltage	V	11.5	36			
Rated Speed	RPM	≥27000	≥28000			
Rated Current	A	≤25	≤4.2			
Rated Torque	mNm	1365 Propeller	500/49			
No-Load Speed	RPM	4500	780			
No-Load Current	A	≤3.0	≤0.2			
Weight	g	75	75			
Motor Body Length	"L"	50	50			

Outline Drawing

