

28mm Brushless DC Motor



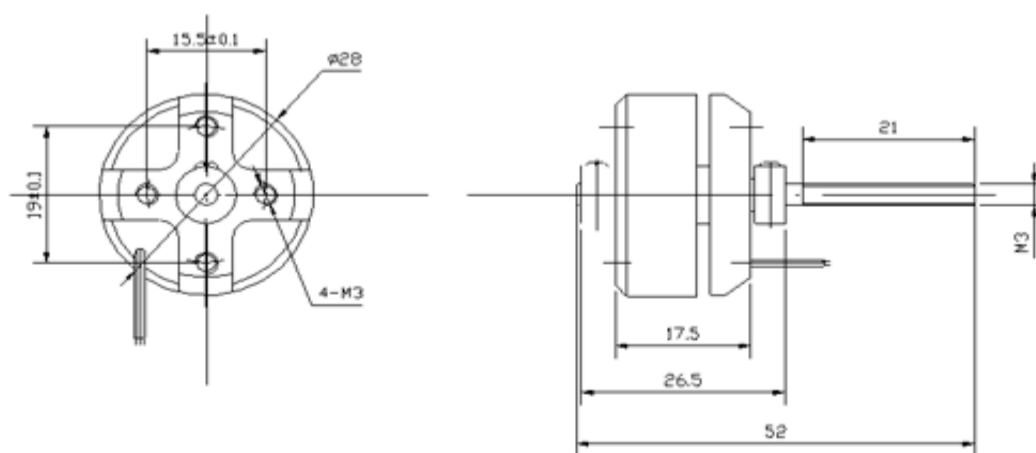
2818

General Specifications

Number of phases	3
Number of poles	2
Operating temperature range	-15°C ~ 45°C
Commutation	Electrically commutated
Bearing type	Shielded ball bearings
Housing material	Black anodized aluminum
Magnet material	Sintered Nd-Fe-B
Direction of rotation	Reversible
Insulation Class	Class B (130°C max.)
Dielectric strength	500 VDC for one minute
Insulation resistance	100Mohms min., 500VDC

Model		DM2818-08				
Nominal Voltage	V	8.5				
Rated Speed	RPM	≥9850				
Rated Current	A	≤5.5				
Rated Torque	mNm	7035 Propeller				
No-Load Speed	RPM	≥14850				
No-Load Current	A	≤0.7				
Weight	g	29				
Motor Body Length	"L"	18				

OUTLINE DRAWING



28mm Brushless DC Motor



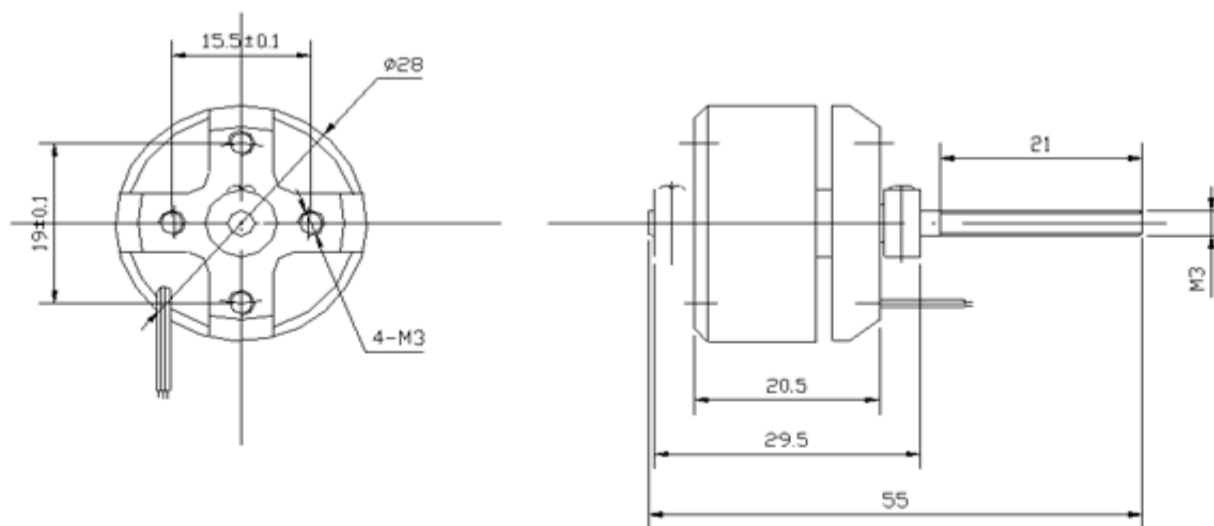
2821

General Specifications

Number of phases	3
Number of poles	2
Operating temperature range	-15°C ~ 45°C
Commutation	Electrically commutated
Bearing type	Shielded ball bearings
Housing material	Black anodized aluminum
Magnet material	Sintered Nd-Fe-B
Direction of rotation	Reversible
Insulation Class	Class B (130°C max.)
Dielectric strength	500 VDC for one minute
Insulation resistance	100Mohms min., 500VDC

Model		DM2821-08	DM2821-10	DM2821-11		
Nominal Voltage	V	8.5	10.5	11.5		
Rated Speed	RPM	≥8600	≥10360	≥11200		
Rated Current	A	≤2.5	≤3.4	≤4.1		
Rated Torque	mNm	7035 Propeller	7035 Propeller	7035 Propeller		
No-Load Speed	RPM	≥9700	≥11900	≥13100		
No-Load Current	A	≤0.4	≤0.6	≤0.6		
Weight	g	37	37	37		
Motor Body Length	"L"	21	21	21		

OUTLINE DRAWING



28mm Brushless DC Motor



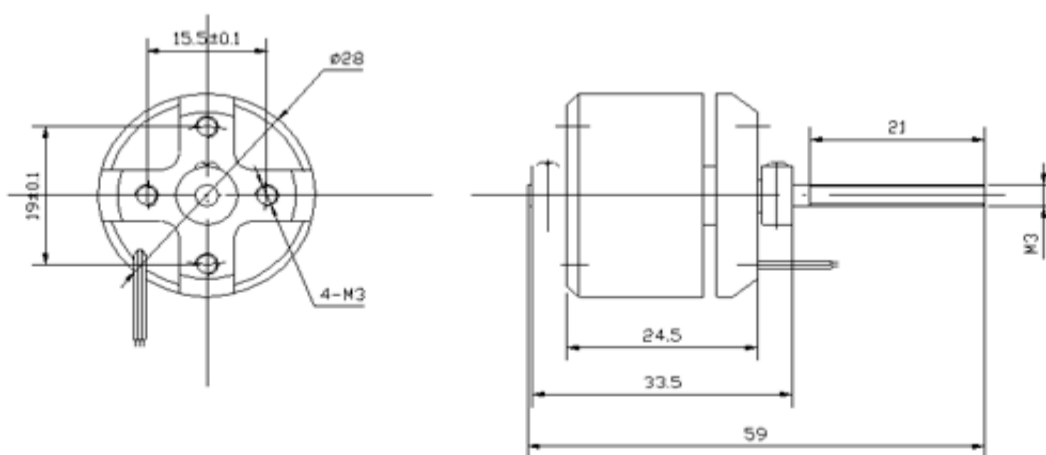
2825

General Specifications

Number of phases	3
Number of poles	2
Operating temperature range	-15°C ~ 45°C
Commutation	Electrically commutated
Bearing type	Shielded ball bearings
Housing material	Black anodized aluminum
Magnet material	Sintered Nd-Fe-B
Direction of rotation	Reversible
Insulation Class	Class B (130°C max.)
Dielectric strength	500 VDC for one minute
Insulation resistance	100Mohms min., 500VDC

Model		DM2825-08	DM2825-10	DM2825-11		
Nominal Voltage	V	8.5	10.5	11.5		
Rated Speed	RPM	≥7360	≥8789	≥9475		
Rated Current	A	≤3.8	≤5.5	≤6.2		
Rated Torque	mNm	8040 Propeller	8040 Propeller	8040 Propeller		
No-Load Speed	RPM	≥8690	≥10726	≥11756		
No-Load Current	A	≤0.6	≤0.7	≤0.7		
Weight	g	48	48	48		
Motor Body Length	"L"	25	25	25		

OUTLINE DRAWING



28mm Brushless DC Motor



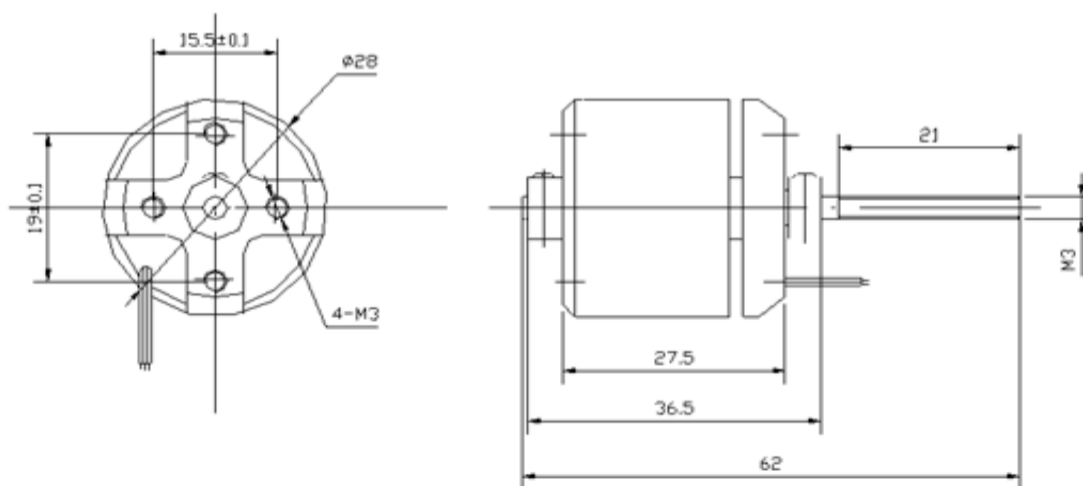
2828

General Specifications

Number of phases	3
Number of poles	2
Operating temperature range	-15°C ~ 45°C
Commutation	Electrically commutated
Bearing type	Shielded ball bearings
Housing material	Black anodized aluminum
Magnet material	Sintered Nd-Fe-B
Direction of rotation	Reversible
Insulation Class	Class B (130°C max.)
Dielectric strength	500 VDC for one minute
Insulation resistance	100Mohms min., 500VDC

Model		DM2828-08	DM2828-10	DM2828-11		
Nominal Voltage	V	8.5	10.5	115.5		
Rated Speed	RPM	≥6762	≥8120	≥8810		
Rated Current	A	≤3.0	≤4.2	≤4.9		
Rated Torque	mNm	8040 Propeller	8040 Propeller	8040 Propeller		
No-Load Speed	RPM	≥7560	≥9282	≥10185		
No-Load Current	A	≤0.6	≤0.6	≤0.6		
Weight	g	58	58	58		
Motor Body Length	"L"	28	28	28		

OUTLINE DRAWING



28mm Brushless DC Motor



2845

General Specifications

Number of phases	3
Number of poles	2
Operating temperature range	-15°C ~ 45°C
Commutation	Electrically commutated
Bearing type	Shielded ball bearings
Housing material	Black anodized aluminum
Magnet material	Sintered Nd-Fe-B
Direction of rotation	Reversible
Insulation Class	Class B (130°C max.)
Dielectric strength	500 VDC for one minute
Insulation resistance	100Mohms min., 500VDC

Model		DM2845-12	DM2845-11	DM2845-24		
Nominal Voltage	V	12	11.5	24.5		
Rated Speed	RPM	≥4900	≥25300	≥16300		
Rated Current	A	≤1.2	≤37	≤2.8		
Rated Torque	mNm	19.6	Driere	29.4		
No-Load Speed	RPM	≥5800	≥40000	≥18000		
No-Load Current	A	≤0.17	≤3.6	≤0.35		
Weight	g	140	140	140		
Motor Body Length	"L"	45	45	45		

OUTLINE DRAWING

