

44mm Brushless DC -With Internal Drive



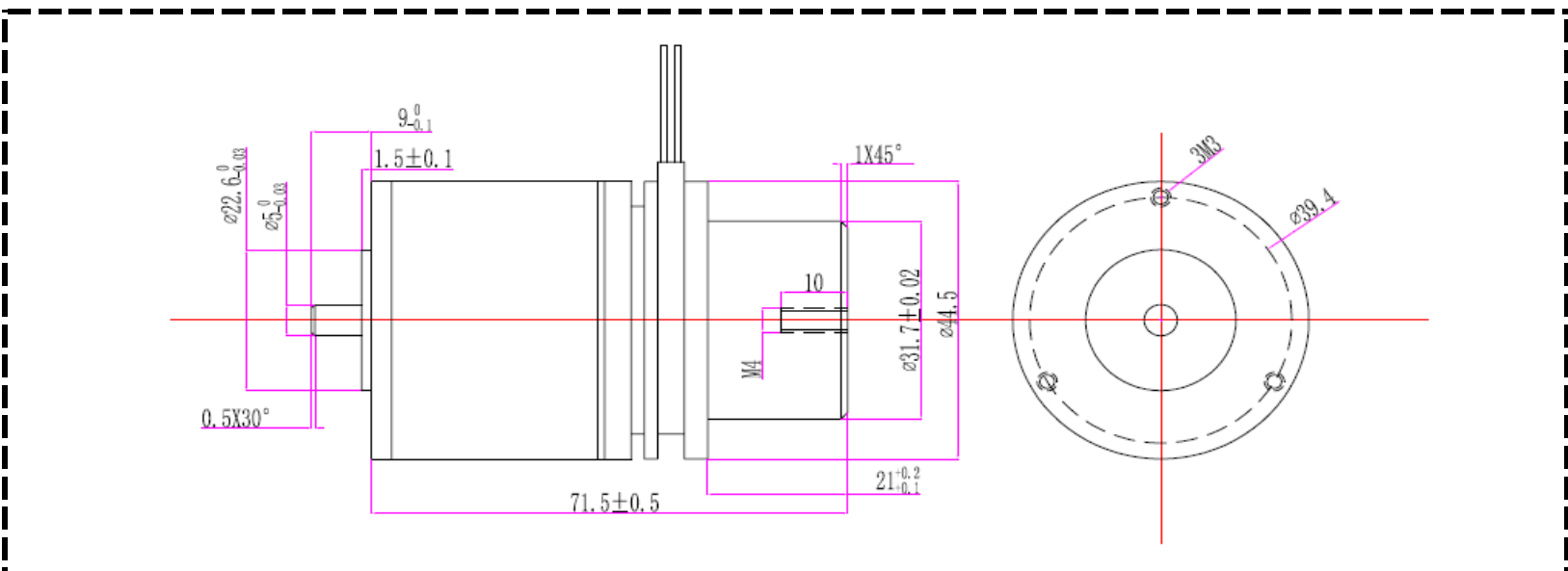
Specifications:

General Specifications

Number of phases	3
Number of poles	2
Operating temperature range	-30°C ~ 85°C
Commutation	Electrically commutated
Bearing type	Shielded ball bearings
Housing material	Black anodized aluminum
Magnet material	Sintered Nd-Fe-B
Direction of rotation	Reversible
Insulation Class	Class B (130°C max.)
Dielectric strength	500 VDC for one minute
Insulation resistance	100Mohms min., 500VDC

Model		DM4472-24-008-	DM4472-24-022-	DM4472-24-081-		
		04-I	08-I	17-I		
Nominal Voltage	V	24	24	24		
Rated Speed	RPM	4259	8496	17690		
Rated Current	A	0.59	1.17	4.11		
Rated Torque	mNm	15.23	18.06	31.32		
Rated Efficiency	%	49	58	60		
Phase Resistance	R	15.1	5.9	1.6		
Output Power	W	7.93	21.72	80.88		
Max. Efficiency	%	49	58	60		
No-Load Speed	RPM	6180	11250	23100		
No-Load Current	A	0.14	0.23	0.78		
Stall Torque	mNm	49.02	73.76	133.75		
Friction Torque	mNm	4.73	4.42	7.34		
Back EMF Constant	mV/RPM	3.54	2.01	0.98		
Torque Constant	mNm/A	33.82	19.22	9.41		
Slope of Speed vs. Torque Curve	RPM/mNm	126.08	152.52	172.72		
Mechanical time Constant	mS	60.38	73.04	82.71		
Rotor Inertia	g-cm ²	45.73	45.73	45.73		
Max. Angular Acceleration	10 ³ rad/s ²	10.72	16.13	29.25		
Sensor		Hall Sensor	Hall Sensor	Hal Sensor		
Driver Recommendation		DR3006IE	DR3002IE	DR3006IE		
Weight	g	240	240	240		
Motor Body Length	"L"	72	72	72		

Outline Drawing



Performance Curve

