

NEMA BLDC Driver



YDN05&YDN10

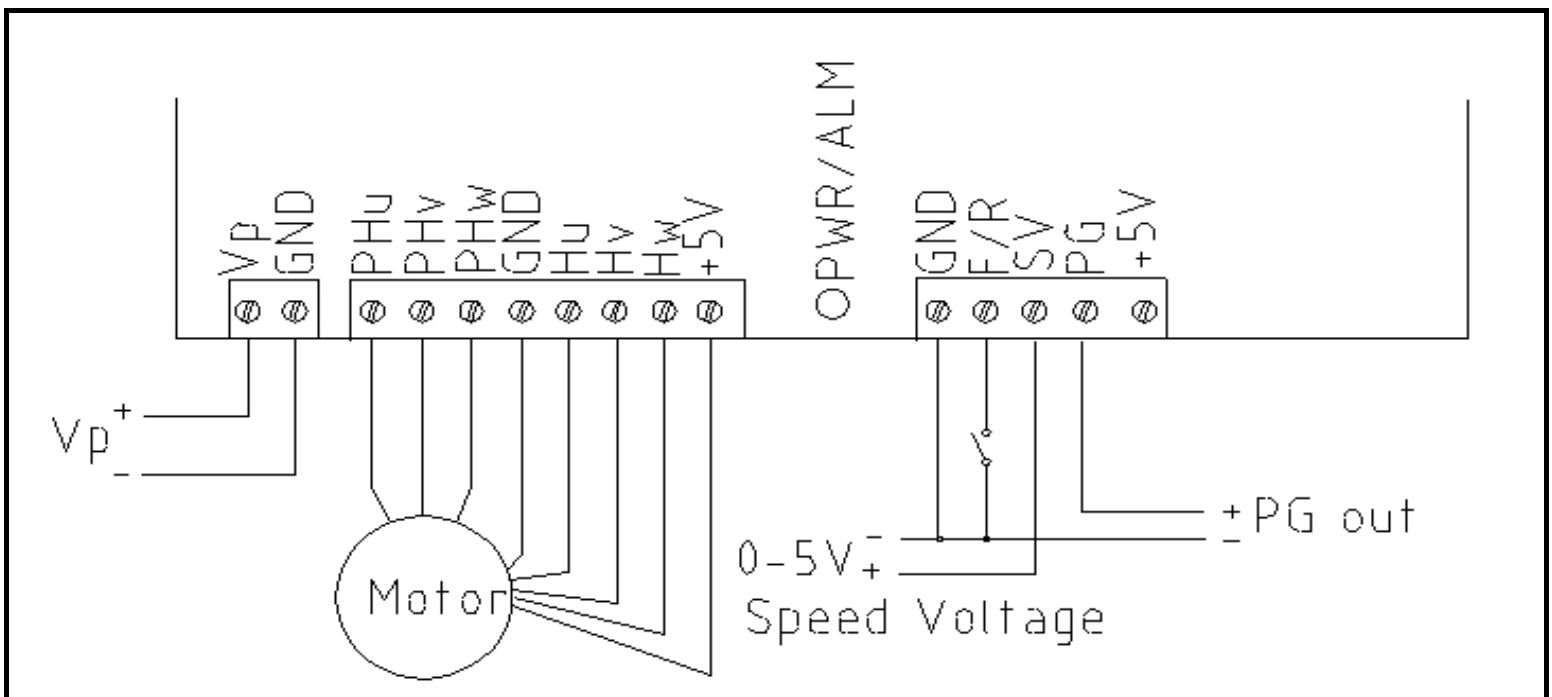


Specifications

Model		YDN05	YDN10	YDN05	YDN10
Voltage	VDC	24(30V max)		36(45V max)	
Phase		3-Phase			
Peak Current	A	5	10	5	10
Continuous Current	A	2.5	5	2.5	5
Hall Sensor		3 hall sensors , 120deg (electrical) angle , 5V operation.			
Inner DC Line Fuse	A	5	10	5	10
Speed raising time	S	0.5-10			
Input signals		5V TTL or 5V CMOS			
Max Speed(SV=5V)		1500rpm/3000rpm/6000rpm/12000rpm (Optional)			
Control mode		PI speed close-loop control			
Low Voltage Protection	V	16V min		26V min	
Dimensions		105.5mmX64mmX24mm			
Chopping frequency	KHz	15			
Weight	Kg	0.2			

Control signals: F/R----High=Forward, Low=Reverse. SV-----Speed voltage input 0-5V. PG-----Speed pulse output (OC output) 24pulses/r @ 8

Connection



Dimension

