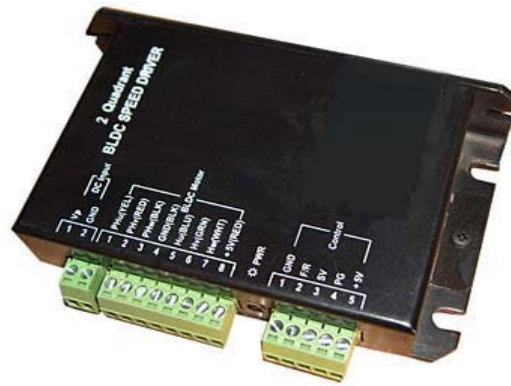


NEMA BLDC Driver



YDN15

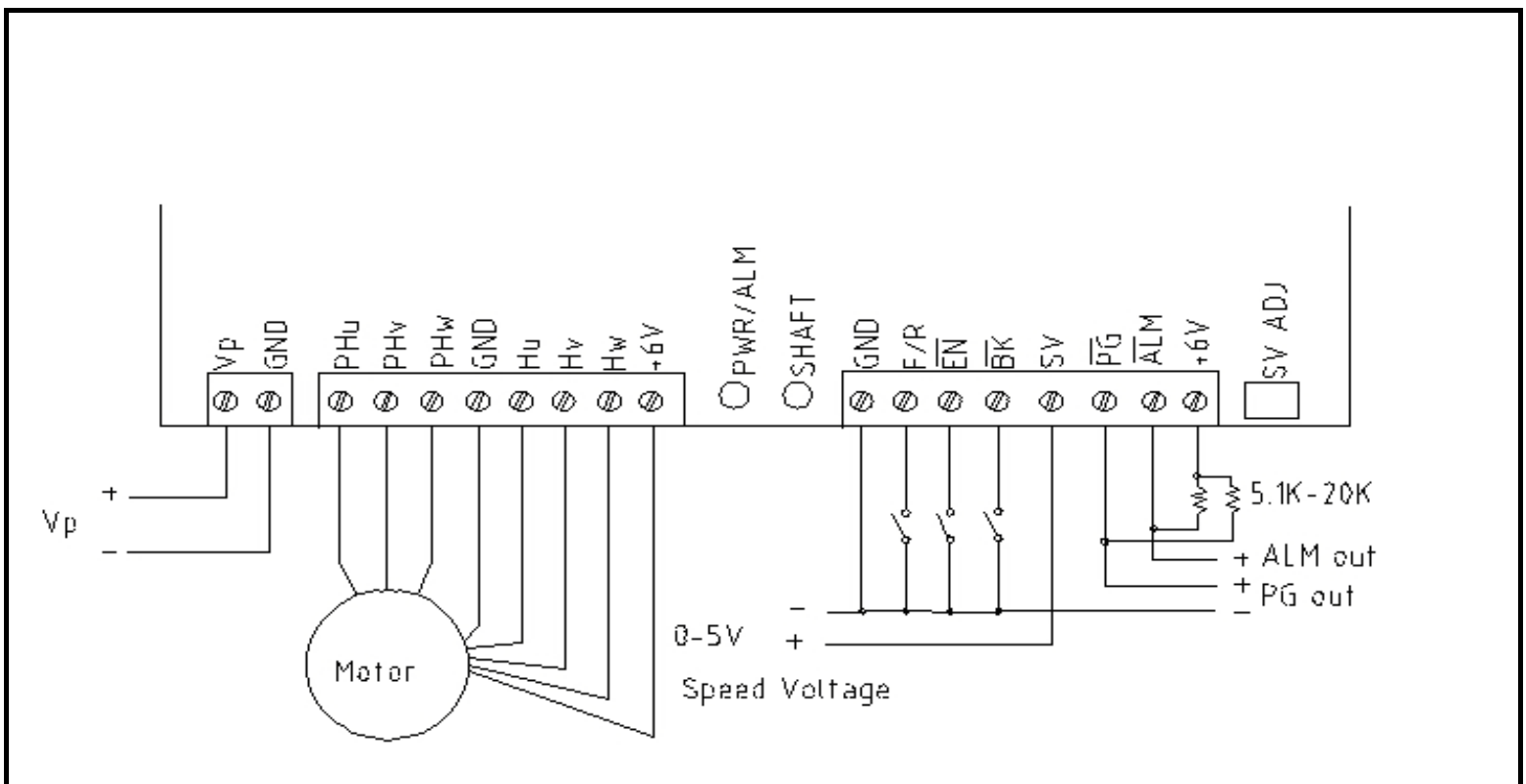


Specifications

Model		YDN15		
Voltage	VDC	24(30V max)	36(45V max)	48(56V max)
Phase		3-Phase		
Peak Current	A	15	15	15
Continuous Current	A	7.5	7.5	7.5
Hall Sensor		3 hall sensors , 120deg (electrical) angle , 6.25V operation.		
Inner DC Line Fuse	A	15	15	15
Speed raising time	S	0.5-10		
Input signals		5V TTL or CMOS (6.25V max)		
Max Speed(SV=4V,SV		1500rpm/3000rpm/6000rpm/12000rpm (Optional)		
Speed Voltage (SV) gain		0-1.0 (Gain=1 @SV ADJ on the Right)		
Control mode		PI speed close-loop control		
Low Voltage Protection	V	16V min	26V min	36V min
Dimensions		161.5mmX81.2mmX31mm		
Chopping frequency	KHz	15		
Weight	Kg	0.3		

Control signals: F/R----High=Forward, Low=Reverse. EN----High=Disable, Low=Enable. BK----Low=Motor brake, High=Operating. SV-----Speed

Connection



Dimension

