

# DC Gear Motor Series

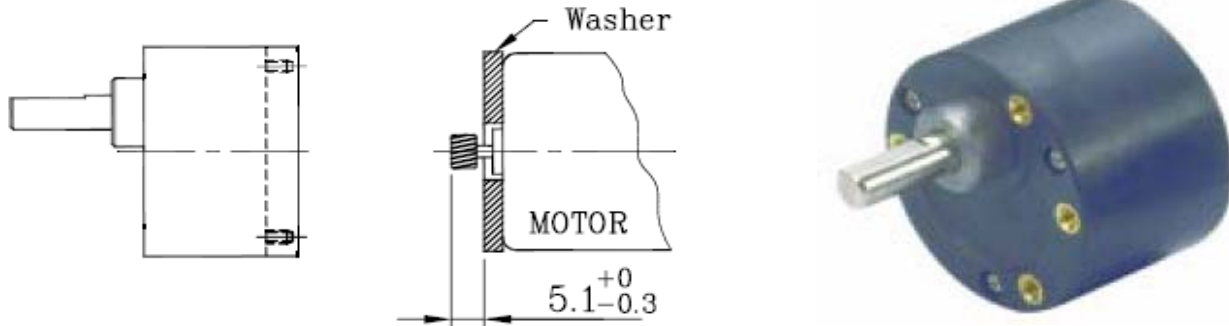


Gearbox with Sleeve Bearings

## ES37S

Operating Rative Humidity: 20%~85%RH  
 Operating Temperature Range: -10°C~+60°C

### MOTOR INSTALLATION



### SPECIFICATIONS

Reduction Ratio	Related Tolerance Torque	Max Momentary Tolerance Torque	Efficiency	Radial Play of Shaft	Thrust Play of Shaft	L	Helix Angle	Module	No. of Teeth	Pressure Angle	Hole Diameter
1/18	1.0kgf-cm Max	3.0 kgf-cm	73%	<0.05mm	<0.35mm	22	18° (Left)	0.5	10	20°	1.98, 2.28, 2.48, 2.98, 3.16
1/30	1.2kgf-cm Max	3.6 kgf-cm	73%	<0.05mm	<0.35mm	22		0.5	10	20°	
1/50, 1/60, 1/75	2.0kgf-cm Max	6.0 kgf-cm	66%	<0.05mm	<0.35mm	24.5		0.5	10	20°	
1/90, 1/100	3.0kgf-cm Max	9.0 kgf-cm	66%	<0.05mm	<0.35mm	24.5		0.5	10	20°	
1/120, 1/150, 1/180, 1/200, 1/300	4.0kgf-cm Max	12.0 kgf-cm	59%	<0.05mm	<0.35mm	27		0.5	10	20°	
1/400, 1/450, 1/500, 1/600	4.0kgf-cm Max	12.0 kgf-cm	53%	<0.05mm	<0.35mm	29.5		0.5	10	20°	
1/900, 1/1000	4.0kgf-cm Max	12.0 kgf-cm	53%	<0.05mm	<0.35mm	29.5		0.5	10	20°	
1/1500, 1/3000	4.0kgf-cm Max	12.0 kgf-cm	48%	<0.05mm	<0.35mm	32		0.5	10	20°	

### DRAWING

