

DC Gear Motor Series

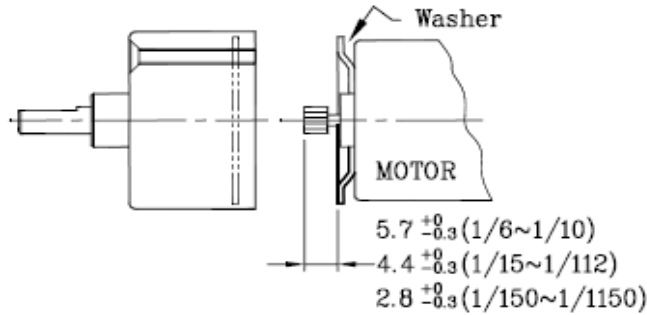


Gearbox with Sleeve Bearings

ET27

Operating Rative Humidity: 20%~85%RH
 Operating Temperature Range: -10°C~+60°C

MOTOR INSTALLATION



SPECIFICATIONS

Reduction Ratio	Excat Reduction Ratio	Related Tolerance Torque	Max Momentary Tolerance Torque	Efficiency	Radial Play of Shaft	Thrust Play of Shaft	L	Module	No. of Teeth	Pressure Angle	Hole Diameter
1/6,1/10	6 1/4, 40	0.3kgf-cm Max	0.9 kgf-cm	81%	≤0.05mm	≤0.3mm	17.3	0.3	12,11	20°	1.98
1/15,1/21	15, 21 1/3	0.4kgf-cm Max	1.2 kgf-cm	73%	≤0.05mm	≤0.3mm	17.3	0.3	11,12	20°	1.98
1/30,1/44	30, 44	0.6kgf-cm Max	1.8 kgf-cm	65%	≤0.05mm	≤0.3mm	17.3	0.3	11	20°	1.98
1/60,1/77	60, 76 4/5	0.8kgf-cm Max	2.4 kgf-cm	65%	≤0.05mm	≤0.3mm	17.3	0.3	11	20°	1.98
1/100,1/112	100 28/225, 112 16/25	1.0kgf-cm Max	3.0 kgf-cm	65%	≤0.05mm	≤0.3mm	17.3	0.3	12,11	20°	1.98
1/150,1/170	153 3/5, 170 2/3	1.2kgf-cm Max	3.6 kgf-cm	50%	≤0.05mm	≤0.3mm	17.3	0.3	11,12	20°	1.98
1/200,1/250	200 56/225, 250 14/45	1.2kgf-cm Max	3.6 kgf-cm	50%	≤0.05mm	≤0.3mm	17.3	0.3	12	20°	1.98
1/320,1/360	320 448/1125, 360 56/125	1.2kgf-cm Max	3.6 kgf-cm	50%	≤0.05mm	≤0.3mm	17.3	0.3	12,11	20°	1.98
1/400,1/500	400 112/225, 500 28/45	1.5kgf-cm Max	4.5 kgf-cm	40%	≤0.05mm	≤0.3mm	19.3	0.3	12	20°	1.98
1/700,1/800	699 19/375, 800 224/225	1.5kgf-cm Max	4.5 kgf-cm	40%	≤0.05mm	≤0.3mm	19.3	0.3	12	20°	1.98
1/900,1/1150	901 3/25, 1153 271/625	1.5kgf-cm Max	4.5 kgf-cm	40%	≤0.05mm	≤0.3mm	19.3	0.3	11	20°	

DRAWING

