

# DC Gear Motor Series



24VDC Standard

## GPMGP3789-11

Output Power: 7.4W  
Weight: 410-440g

### MOTOR INSTALLATION

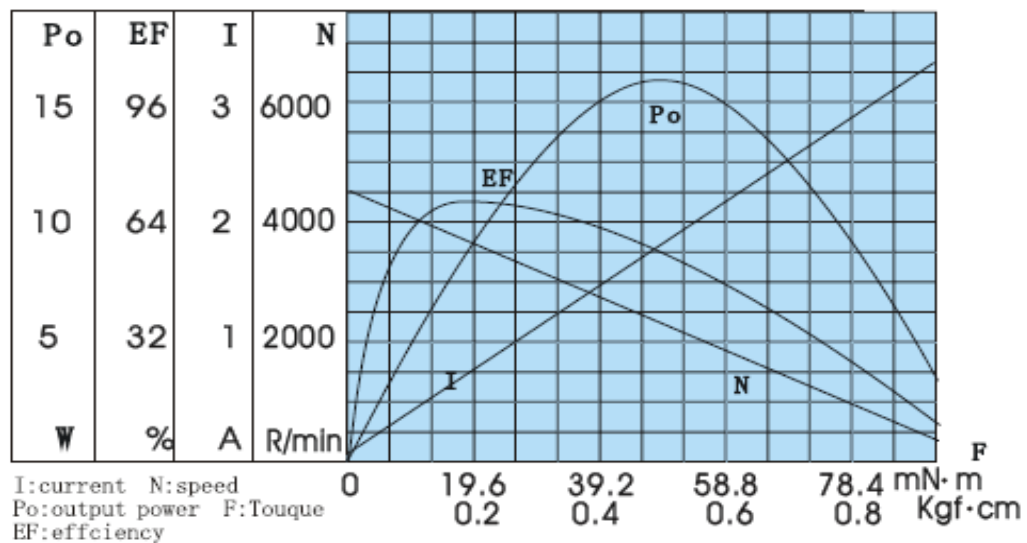
Rated voltage	24VDC
No load speed	4500rpm
No load current	180mA
Rated torque	250gf·cm 24.5mN·m
Rated current	1.1A
Rated speed	3350r/min
Stall torque	1000gf·cm 24.5mN·m
Stall current	4.2A



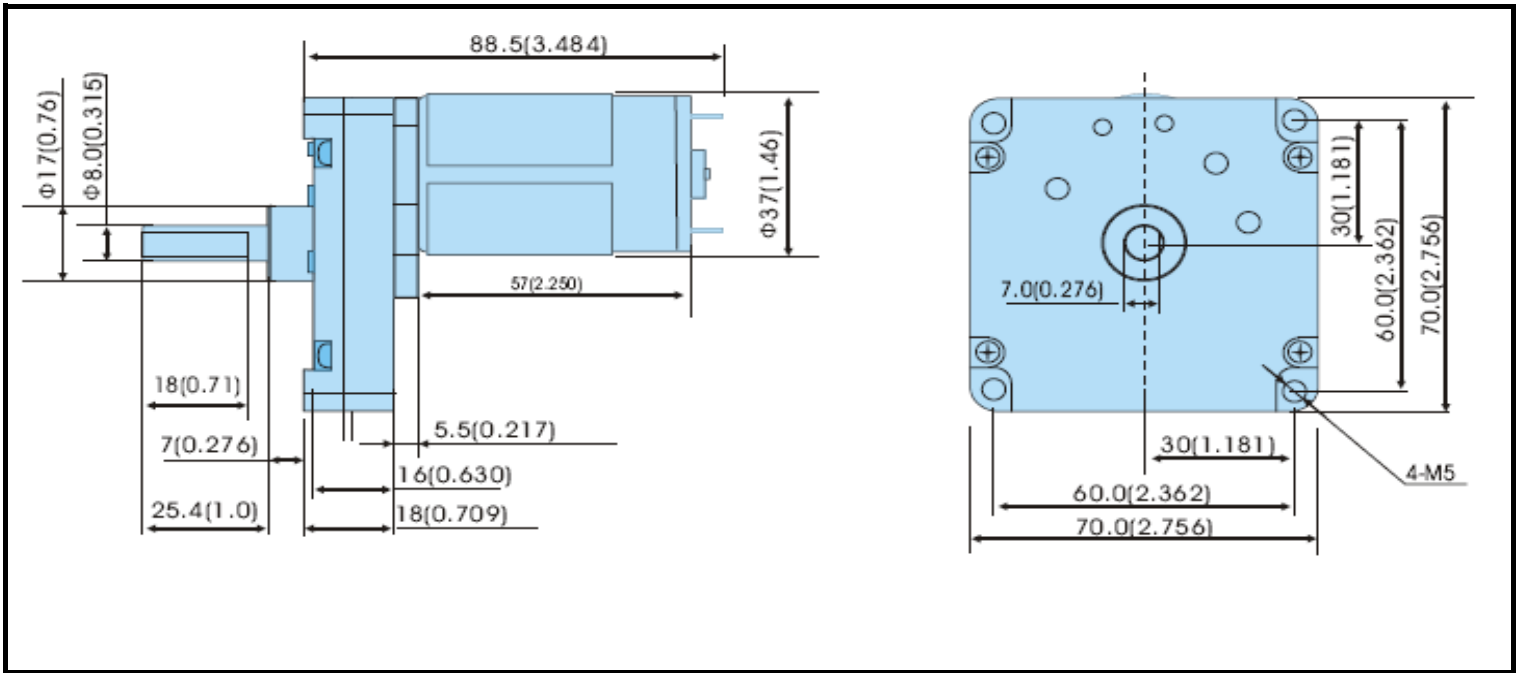
### SPECIFICATIONS

Geared motor name	Rated Volt. V	No Load		At Max. Efficiency				Reduction Ratio	Output power W	Number of gear Stages
		Current mA	Speed rpm	Current mA	Speed rpm	Torque				
						Kg·cm	N·m			
GPMGP3789-11-7-10	24	≤180	473	≤1.1	352	1.9	0.19	1/9.5	6.7	2
GPMGP3789-11-7-18	24	≤180	250	≤1.1	186	3.6	0.35	1/18	6.7	2
GPMGP3789-11-6-40	24	≤180	112	≤1.1	83.7	7.3	0.72	1/40	6.1	3
GPMGP3789-11-6-90	24	≤180	50	≤1.1	37.2	14.9	1.46	1/90	5.5	4
GPMGP3789-11-6-168	24	≤180	27	≤1.1	20	27.7	2.71	1/168	5.5	4
GPMGP3789-11-6-239	24	≤180	19	≤1.1	14	39.4	3.86	1/239	5.5	4
GPMGP3789-11-5-380	24	≤180	12	≤1.1	8.8	56.1	5.5	1/380	5	5
GPMGP3789-11-4-568	24	≤180	7.9	≤0.8	5.8	60	5.88	1/568	3.5	5
GPMGP3789-11-3-718	24	≤180	6.3	≤0.6	4.6	60	5.88	1/718	2.8	5
Packing Details	CTN size:55X35XH18CM 24pcs/CTN N.W. 12Kgs									

### MOTOR CHARACTERISTICS



**DRAWING**



# DC Gear Motor Series



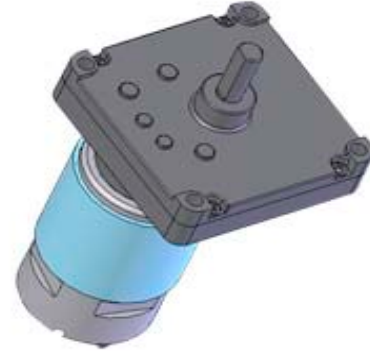
24VDC Standard

## GPMGP4668-11

Output Power: **20W**  
Weight: **410~440g**

### MOTOR INSTALLATION

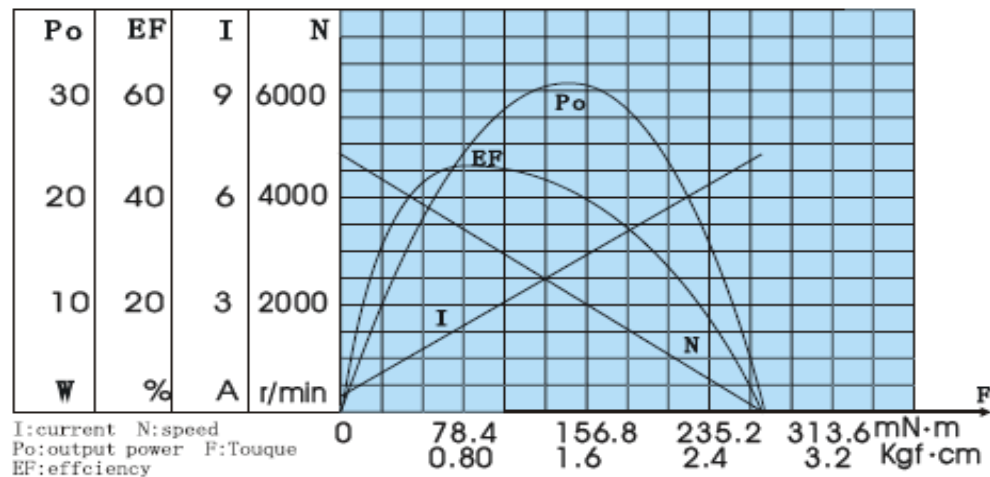
Rated voltage	24VDC
No load speed	5000rpm
No load current	250mA
Rated torque	650g-cm (63.7mN·m)
Rated current	2.0A
Rated speed	3750rpm
Stall torque	2700g-cm (264.6mN·m)
Stall current	7.0A



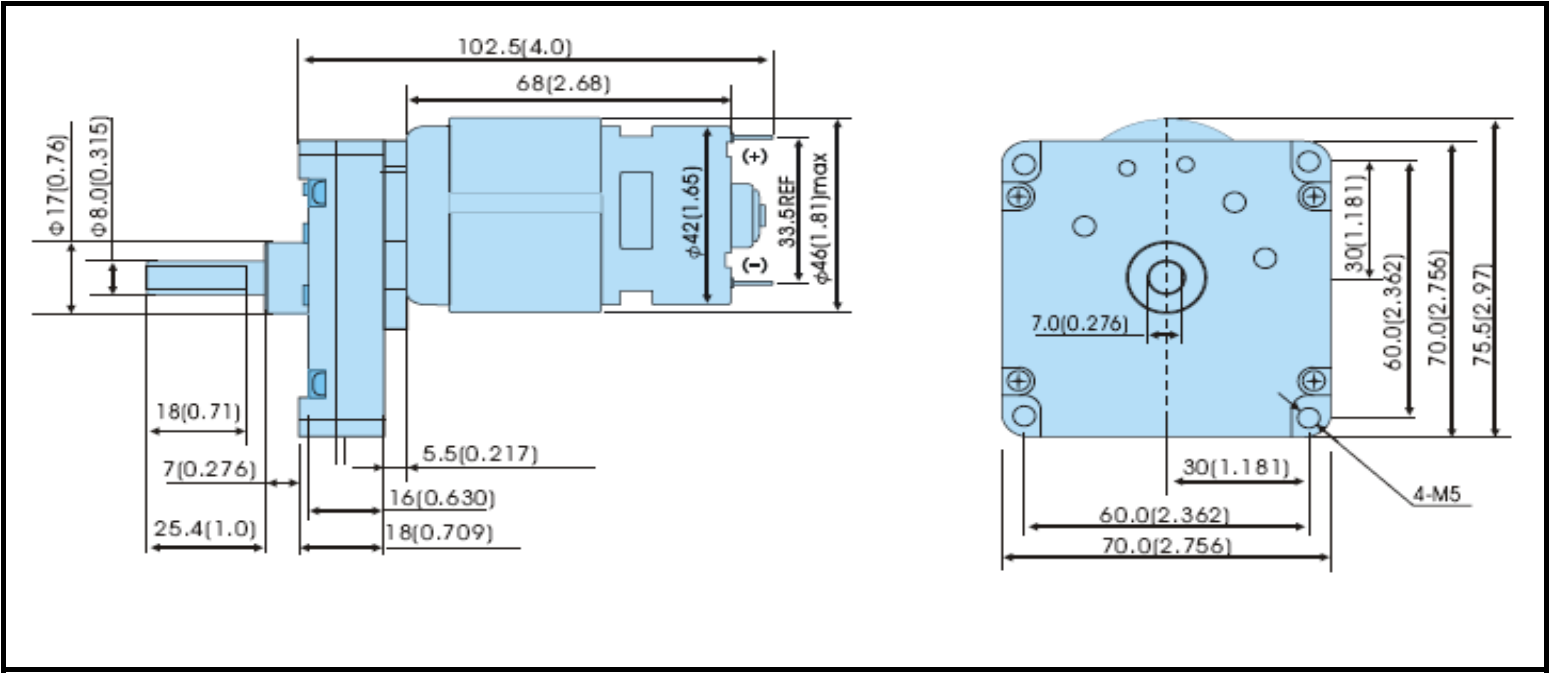
### SPECIFICATIONS

Geared motor name	Rated Volt. V	No Load		At Max. Efficiency				Reduction Ratio	Output power W	Number of gear Stages
		Current	Speed	Current	Speed	Torque				
		mA	rpm	mA	rpm	Kg-cm	N·m			
GPMGP4668-11-20-37	24	≤250	526	≤2.0	394	5	0.49	1/37	19.8	2
GPMGP4668-11-20-67	24	≤250	277	≤2.0	208	9.5	0.93	1/67	19.8	2
GPMGP4668-11-18-95	24	≤250	125	≤2.0	94	19	1.86	1/95	17.8	3
GPMGP4668-11-16-139	24	≤250	55	≤2.0	42	38	3.72	1/139	16	4
GPMGP4668-11-14-155	24	≤250	30	≤1.7	22.5	60	5.88	1/155	13.5	4
GPMGP4668-11-11-196	24	≤250	21	≤1.4	17.8	60	5.88	1/196	10.7	4
GPMGP4668-11-7-277	24	≤250	13	≤1.0	11.8	60	5.88	1/277	7.1	5
GPMGP4668-11-5-493	24	≤250	8.8	≤0.7	8.2	60	5.88	1/493	4.9	5
GPMGP4668-11-4-883	24	≤250	7	≤0.6	6.5	60	5.88	1/883	3.9	5
Packing Details	CTN size:55X35XH18CM 24pcs/CTN N.W. 12Kgs									

### MOTOR CHARACTERISTICS



**DRAWING**



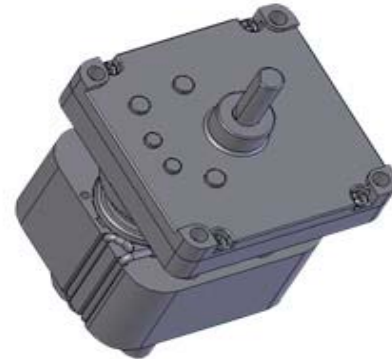
# AC Gear Motor Series



Shade Pole Motor

## GPGMAS70

Output Power: 1.0-10W  
Weight: 500-700g



### SPECIFICATIONS

Reduction Ratio	L (mm)	1/9.5	1/12.8	1/18	1/30	1/40	1/90	1/168	1/239	1/380	1/504	1/568	1/718
Rated Speed(rpm)at 60Hz		274	203	144	86.7	65	28.9	15.5	10.9	6.8	5.2	4.6	3.6
Number of geartrans		2	2	2	3	3	4	4	4	5	5	5	5
Rated Torque (ktg-cm)	10.5	0.46	0.62	0.88	1.31	1.75	3.56	6.65	9.46	13.5	17.8	20.1	25.4
	12	0.62	0.83	1.17	1.75	2.34	4.75	8.87	12.6	17.9	23.8	26.8	33.9
	14.5	0.77	1.04	1.46	2.19	2.92	5.94	11.1	15.8	22.4	29.7	33.5	42.4
	16.5	1.08	1.45	2.04	3.07	1.09	8.31	15.5	22.1	31.4	41.6	46.9	59.3
	20.5	1.39	1.87	2.62	3.94	5.26	10.7	20	28.4	40.4	53.5	60.3	76.3
	25.5	1.69	2.28	3.21	4.82	6.42	13.1	24.4	34.7	49.3	65.4	73.7	80
	30.5	2.16	2.9	4.08	6.13	8.18	16.6	31	44.2	62.8	80	80	80
	35.5	2.69	3.63	5.1	7.67	10.2	20.8	38.8	55.2	78.5	80	80	80
40	3.08	4.15	5.83	8.76	11.7	23.8	44.4	63.1	80	80	80	80	
Packing Details													

### DRAWING

