

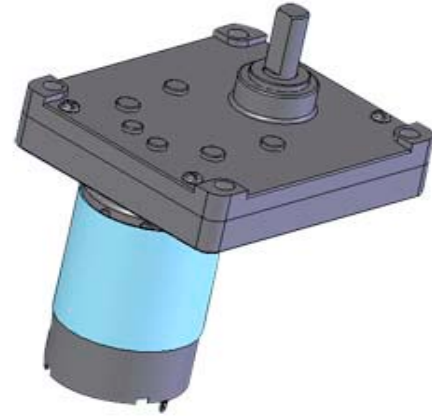
# DC Gear Motor Series



24VDC Standard

## GPVFP3780-11

Output Power: 6.7W  
Weight: 410-440g



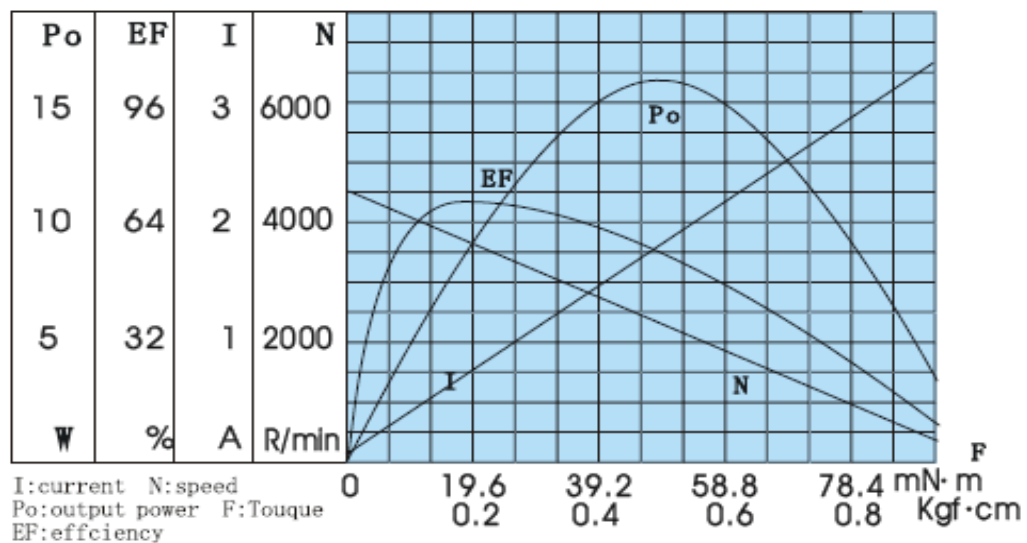
### MOTOR INSTALLATION

Rated voltage	24VDC
No load speed	4500rpm
No load current	180mA
Rated torque	250g-cm (24.5mN-m)
Rated current	1.1A
Rated speed	3350rpm
Stall torque	1000g-cm (24.5mN-m)
Stall current	4.2A

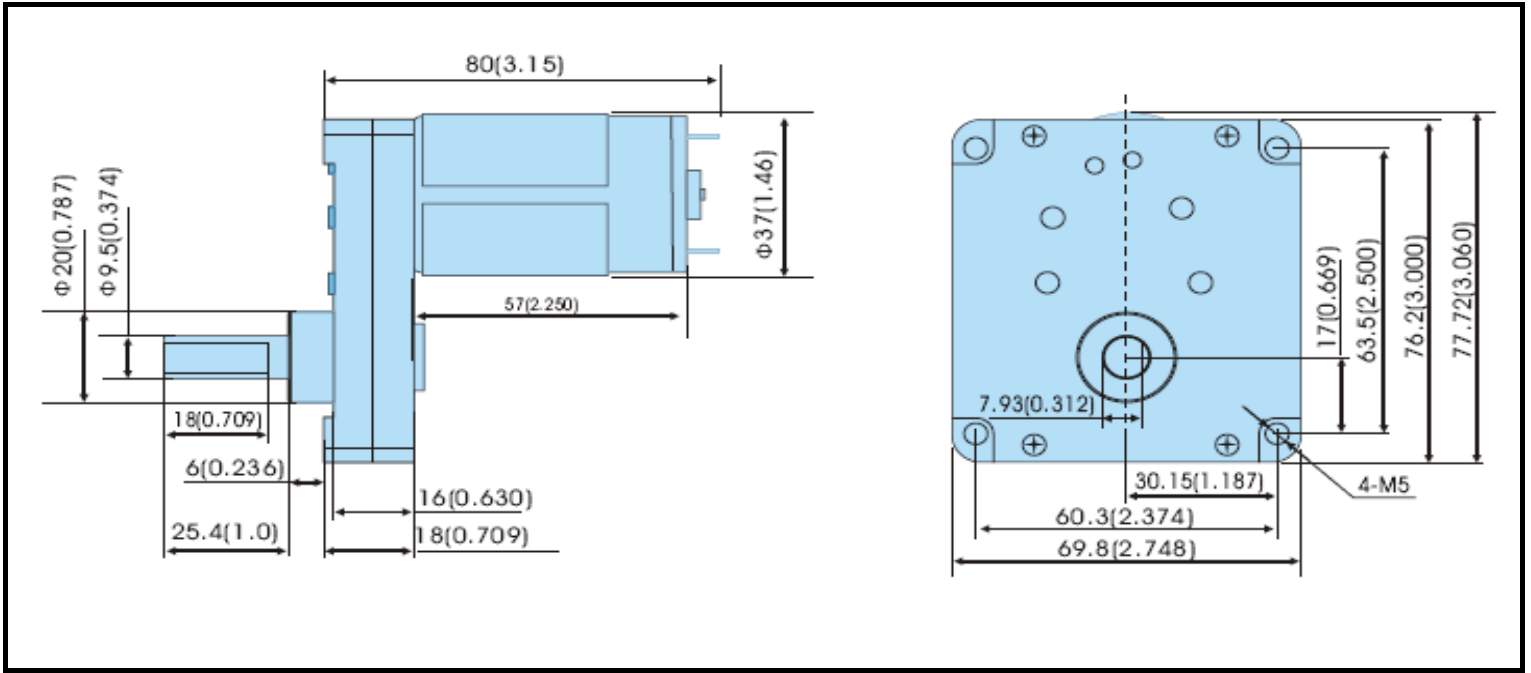
### SPECIFICATIONS

Geared motor name	Rated Volt. V	No Load		At Max. Efficiency				Reduction Ratio	Output power W	Number of gear Stages
		Current mA	Speed rpm	Current mA	Speed rpm	Torque				
						Kg-cm	N-m			
GPVFP3780-11-6-37	24	≤180	121	≤1.1	90	6.8	0.66	1/37	6	3
GPVFP3780-11-6-67	24	≤180	67.2	≤1.1	50	12.2	1.2	1/67	6	3
GPVFP3780-11-6-95	24	≤180	47.4	≤1.1	35	17.3	1.7	1/95	6	3
GPVFP3780-11-6-139	24	≤180	32.3	≤1.1	24	23	2.67	1/139	5.5	4
GPVFP3780-11-6-155	24	≤180	29	≤1.1	21.5	25.6	2.51	1/155	5.5	4
GPVFP3780-11-6-196	24	≤180	23	≤1.1	17.1	32.3	3.17	1/196	5.5	4
GPVFP3780-11-5-277	24	≤180	16.2	≤1.1	12.1	40.9	4.01	1/277	5	5
GPVFP3780-11-4-493	24	≤180	9.1	≤0.9	7.2	60	5.88	1/493	4.3	5
GPVFP3780-11-3-833	24	≤180	5.1	≤0.5	4.5	60	5.88	1/833	2.7	5
Packing Details	CTN size:55X35XH18CM 24pcs/CTN N.W. 11Kgs									

### MOTOR CHARACTERISTICS



**DRAWING**



# DC Gear Motor Series



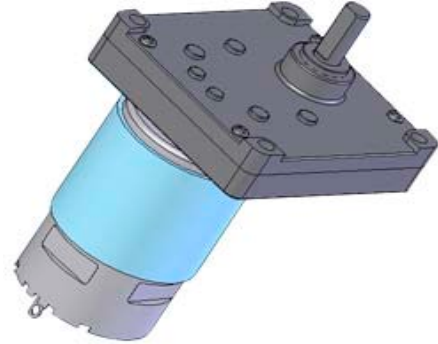
24VDC Standard

## GPVFP4668-11

Output Power: 17.8W  
Weight: 410-440g

### MOTOR INSTALLATION

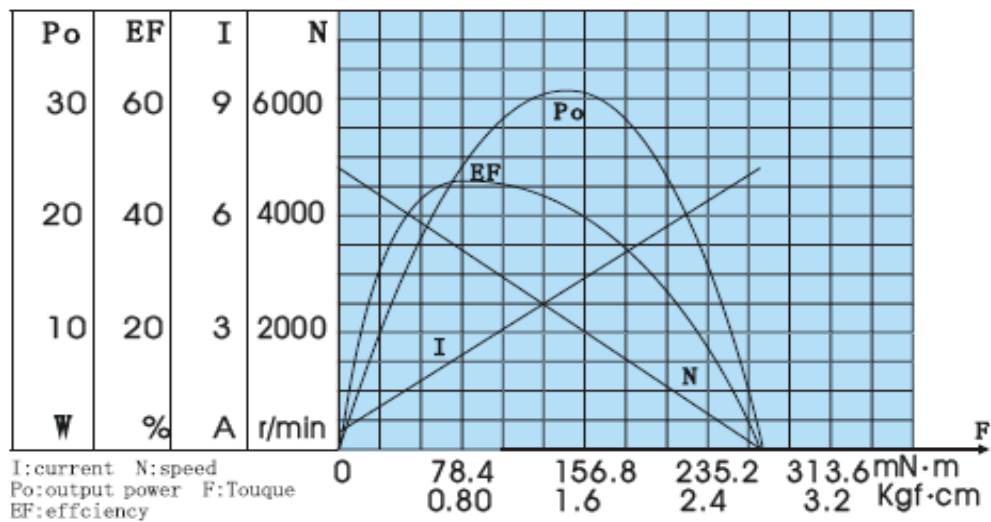
Rated voltage	24VDC
No load speed	5000rpm
No load current	250mA
Rated torque	650g-cm (63.7mN·m)
Rated current	2.0A
Rated speed	3750rpm
Stall torque	2700g-cm (264.6mN·m)
Stall current	7.0A



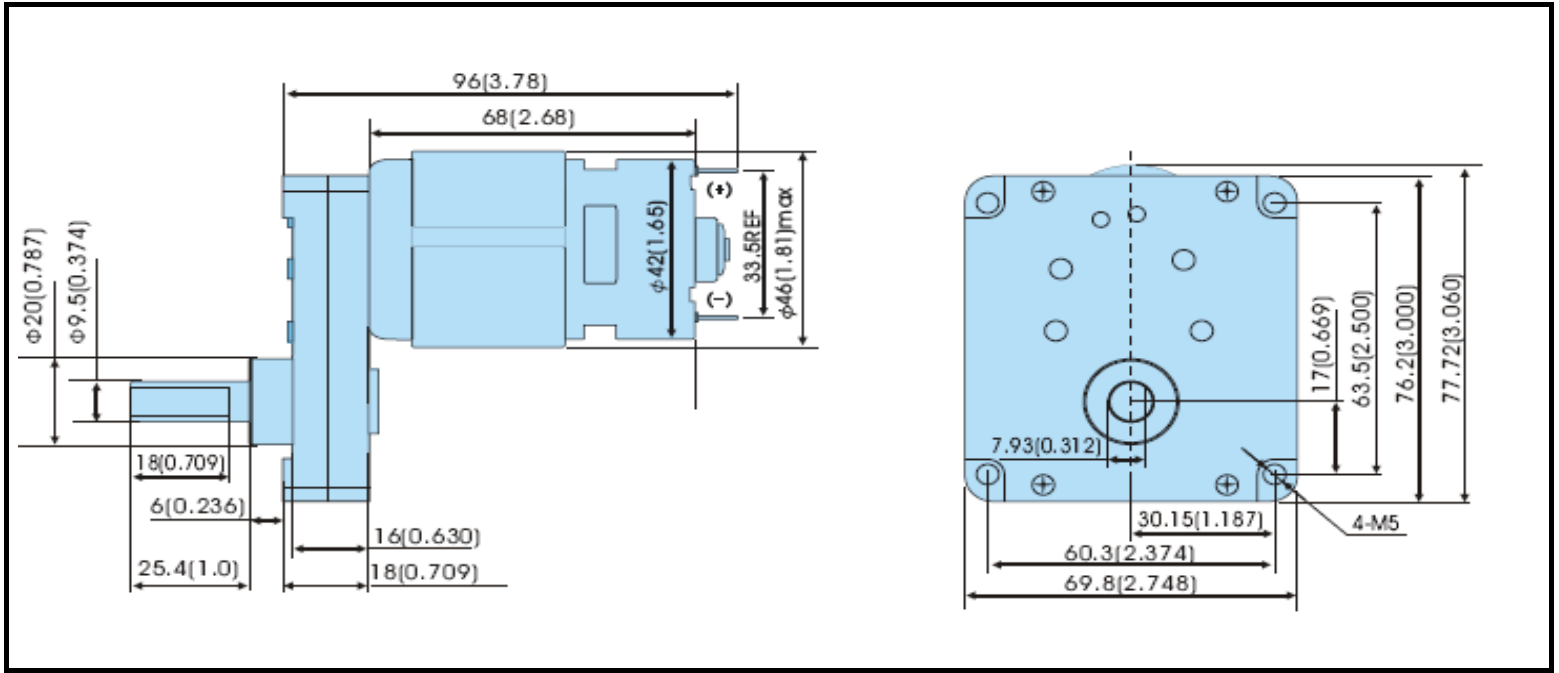
### SPECIFICATIONS

Geared motor name	Rated Volt. V	No Load		At Max. Efficiency				Reduction Ratio	Output power W	Number of gear Stages
		Current	Speed	Current	Speed	Torque				
		mA	rpm	mA	rpm	Kg-cm	N·m			
GPVFP4668-11-18-37	24	≤250	135	≤2.0	101	17.6	1.72	1/37	17.8	3
GPVFP4668-11-18-67	24	≤250	74	≤2.0	56	31.8	3.11	1/67	17.8	3
GPVFP4668-11-18-95	24	≤250	52	≤2.0	39.5	45.1	4.42	1/95	17.8	3
GPVFP3780-11-16-139	24	≤250	36	≤1.8	27	60	5.88	1/139	16.2	4
GPVFP3780-11-5-155	24	≤250	32	≤1.6	24	60	5.88	1/155	14.4	4
GPVFP3780-11-11-196	24	≤250	25	≤1.4	19	60	5.88	1/196	11.4	4
GPVFP3780-11-8-277	24	≤250	18	≤1.1	13.5	60	5.88	1/277	8.1	5
GPVFP3780-11-5-493	24	≤250	10	≤0.8	7.6	60	5.88	1/493	4.6	5
GPVFP3780-11-3-833	24	≤250	5.7	≤0.6	4.2	60	5.88	1/833	2.5	5
Packing Details	CTN size:55X35XH18CM 24pcs/CTN N.W. 11Kgs									

### MOTOR CHARACTERISTICS



**DRAWING**



# AC Gear Motor Series



Shade Pole Motor

## GPVFAS70

Output Power: 1.0-10W  
Weight 500-700g



### SPECIFICATIONS

Reduction Ratio	Part No.	L (mm)	1/36	1/66	1/94	1/139	1/155	1/196	1/219	1/277	1/418	1/493	1/623	1/833
Rated Speed(rpm)at 60Hz			73	40	28.4	19.4	17.4	13.8	12.3	9.8	6.5	5.5	4.3	3.1
Number of geartrans			3	3	3	4	4	4	4	4	5	5	5	5
Rated Torque (ktg-cm)	TVFSP61-10	10.5	1.62	2.93	4.16	5.5	6.14	7.76	8.67	11	14.2	22.1	29.2	41.3
	TVFSP61-12	12	2.16	3.91	5.55	7.34	8.18	10.3	11.6	14.6	18.9	29.4	38.9	55
	TVFSP61-14	14.5	2.7	4.89	6.94	9.17	10.2	12.9	14.5	18.3	23.6	36.8	48.7	68.8
	TVFSP61-16	16.5	3.78	6.85	9.71	12.8	14.3	18.1	20.2	25.6	33	51.5	68.1	80
	TVFSP61-20	20.5	4.86	8.8	12.5	16.5	18.4	23.3	26	32.9	42.5	66.2	80	80
	TVFSP61-25	25.5	5.94	10.8	15.3	20.2	22.5	28.5	31.8	40.2	51.9	80	80	80
	TVFSP61-30	30.5	7.56	13.7	19.4	25.7	28.6	36.2	40.5	51.2	66.1	80	80	80
	TVFSP61-35	35.5	9.45	17.1	24.3	32.1	35.8	45.3	50.6	64	80	80	80	80
	TVFSP61-40	40	10.8	19.6	27.7	36.7	40.9	51.7	57.8	73.1	80	80	80	80

### DRAWING

