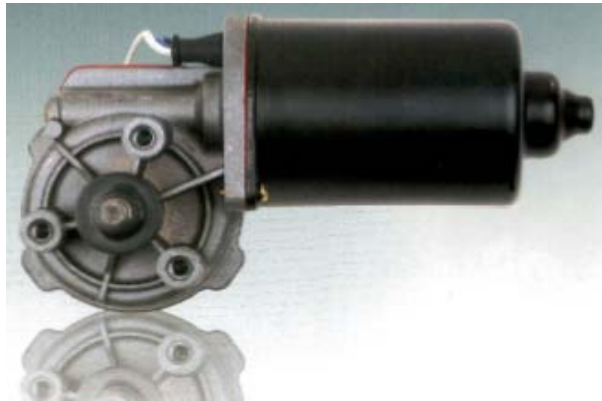


# Right Angle Geared Motor



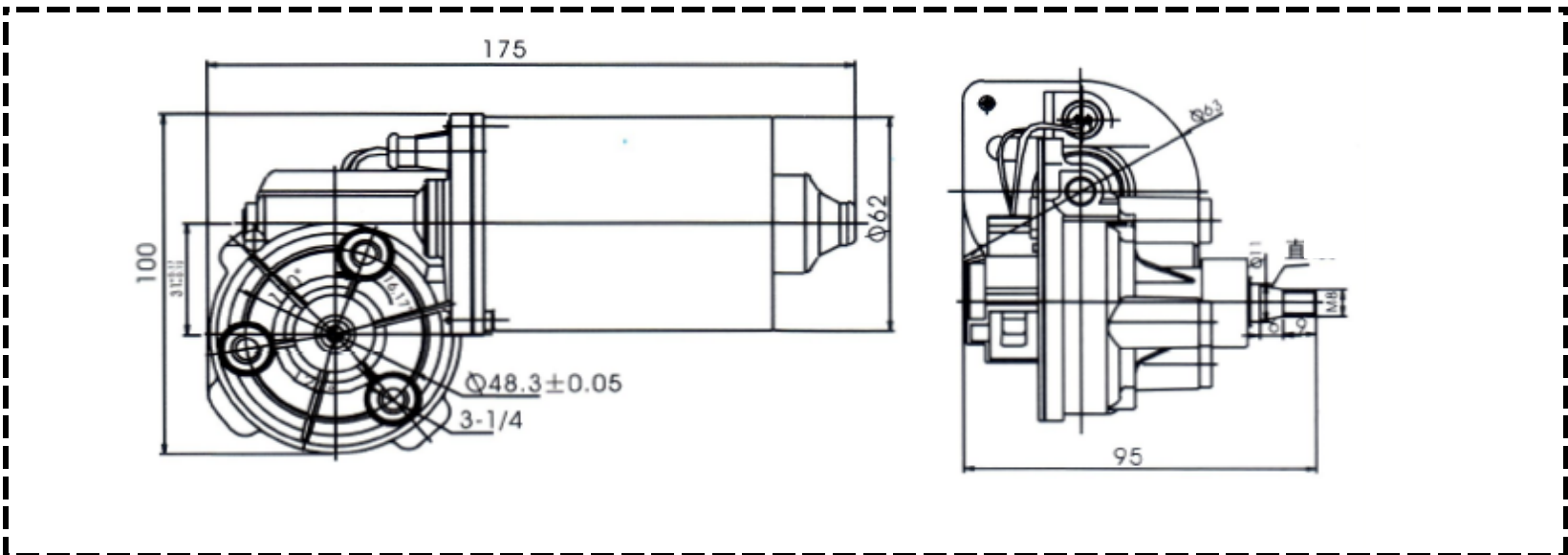
GMP31175



## Specification

Model No.	Rated Voltage V	No-Load		Load			Locked Torque N.m	Locked Current A
		Speed RPM	Current A	Torque N.m	Speed RPM	Current A		
GMP31175-A R/L	12	80±10	≤4	7	55±5	≤10	≥20	≤25
GMP31175-B R/L	12	50±10	≤2	7	35±5	≤7	≥22	≤20

## Outline Drawing



## Performance Curve

